

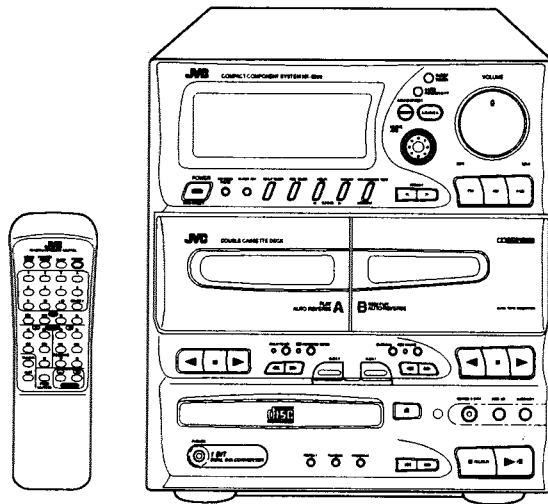
JVC

SERVICE MANUAL

COMPACT COMPONENT SYSTEM

CA-S200

PIC UP	OPT-6S
Lsi	MN66271RAM



Area Suffix

A	Australia
BS	the U.K.
C	Canada
E	Continental Europe
G	Germany
J	the U.S.A.
VX	East Europe
U	Other Area

RTV servis Horvat

Tel: ++385-31-856-842

Tel/fax: ++385-31-856-139

Mob: 098-788-319

www.rtv-horvat-dj.hr

COMPACT
disc
DIGITAL AUDIO

Contents

<i>Safety Precautions</i>	1-2	<i>Maintenance of Laser Pickup</i>	1-45
<i>Important for Laser Products</i>	1-3	<i>Replacement of Laser Pickup</i>	1-45
<i>Instruction Book</i>	1-4	<i>Trouble shooting</i>	1-46
<i>Description of Major LSIs</i>	1-15	<i>Block Diagrams</i>	1-51
<i>Internal Connection of FL Display Tube</i> ..	1-29	<i>Parts List</i>	2-1
<i>Disassembly Procedures</i>	1-30	<i>Schematic Diagrams</i>	Insertion
<i>Adjustment Procedures</i>	1-38	<i>Printed Circuit Boards</i>	Insertion
<i>Flow of Functional Operation</i>			
<i>See diagnosis for pic up</i>	1-42		
<i>Until TOC is Read</i>	1-44		

Safety Precautions

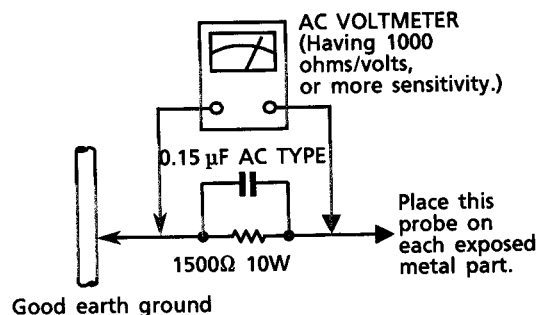
1. The design of this product contains special hardware and many circuits and components specially for safety purposes. For continued protection, no changes should be made to the original design unless authorized in writing by the manufacturer. Replacement parts must be identical to those used in the original circuits. Services should be performed by qualified personnel only.
2. Alterations of the design or circuitry of the product should not be made. Any design alterations of the product should not be made. Any design alterations or additions will void the manufacturer's warranty and will further relieve the manufacturer of responsibility for personal injury or property damage resulting therefrom.
3. Many electrical and mechanical parts in the products have special safety-related characteristics. These characteristics are often not evident from visual inspection nor can the protection afforded by them necessarily be obtained by using replacement components rated for higher voltage, wattage, etc. Replacement parts which have these special safety characteristics are identified in the Parts List of Service Manual. Electrical components having such features are identified by shading on the schematics and by (Δ) on the Parts List in the Service Manual. The use of a substitute replacement which does not have the same safety characteristics as the recommended replacement parts shown in the Parts List of Service Manual may create shock, fire, or other hazards.
4. The leads in the products are routed and dressed with ties, clamps, tubings, barriers and the like to be separated from live parts, high temperature parts, moving parts and/or sharp edges for the prevention of electric shock and fire hazard. When service is required, the original lead routing and dress should be observed, and it should be confirmed that they have been returned to normal, after re-assembling.
5. Leakage current check (Electrical shock hazard testing)
After re-assembling the product, always perform an isolation check on the exposed metal parts of the product (antenna terminals, knobs, metal cabinet, screw heads, headphone jack, control shafts, etc.) to be sure the product is safe to operate without danger of electrical shock.
Do not use a line isolation transformer during this check.

- Plug the AC line cord directly into the AC outlet. Using a "Leakage Current Tester", measure the leakage current from each exposed metal parts of the cabinet, particularly any exposed metal part having a return path to the chassis, to a known good earth ground. Any leakage current must not exceed 0.5mA AC (r.m.s.).

- Alternate check method
Plug the AC line cord directly into the AC outlet. Use an AC voltmeter having, 1,000 ohms per volt or more sensitivity in the following manner. Connect a 1,500 Ω 10 W resistor paralleled by a 0.15 μ F AC-type capacitor between an exposed metal part and a known good earth ground.

Measure the AC voltage across the resistor with the AC voltmeter.

Move the resistor connection to each exposed metal part, particularly any exposed metal part having a return path to the chassis, and measure the AC voltage across the resistor. Now, reverse the plug in the AC outlet and repeat each measurement. Any voltage measured must not exceed 0.75 V AC (r.m.s.). This corresponds to 0.5 mA AC (r.m.s.).



Warning

1. This equipment has been designed and manufactured to meet international safety standards.
2. It is the legal responsibility of the repairer to ensure that these safety standards are maintained.
3. Repairs must be made in accordance with the relevant safety standards.
4. It is essential that safety critical components are replaced by approved parts.
5. If mains voltage selector is provided, check setting for local voltage.

Important for Laser Products

1. **CLASS 1 LASER PRODUCT**
2. **DANGER** : Invisible laser radiation when open and interlock failed or defeated. Avoid direct exposure to beam.
3. **CAUTION** : There are no serviceable parts inside the Laser Unit. Do not disassemble the Laser Unit. Replace the complete Laser Unit if it malfunctions.
4. **CAUTION** : The compact disc player uses invisible laser radiation and is equipped with safety switches which prevent emission of radiation when the drawer is open and the safety interlocks have failed or are defeated. It is dangerous to defeat the safety switches.
5. **CAUTION** : If safety switches malfunction, the laser is able to function.
6. **CAUTION** : Use of controls, adjustments or performance of procedures other than those specified herein may result in hazardous radiation exposure.

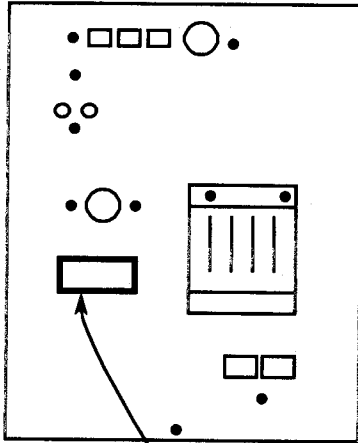
VARNING : Osynlig laserstrålning när denna del är öppnad och spärren är urkopplad. Betrakta ej strålen.

VARO : Avattaessa ja suojalukitus ohitettaessa olet alltiina näkymättömälle lasersäteilylle. Älä katso säteeseen.

ADVARSEL : Usynlig laserstrålning ved åbning, når sikkerhedsafbrydere er ude af funktion. Undgå udsættelse for stråling.

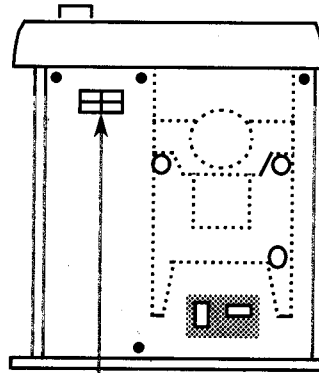
ADVARSEL : Usynlig laserstrålning ved åpning, når sikkerhetsbryteren er avslott. unngå utsettelse for stråling.

REPRODUCTION AND POSITION OF LABELS



**CLASS 1
LASER PRODUCT**

CLASSIFICATION LABEL
(Except for the U.S.A. and Canada)



WARNING LABEL
(Except for the U.S.,A)

DANGER: invisible laser radiation when open and interlock failed or defeated. AVOID DIRECT EXPOSURE TO BEAM. (e)

VARNING: Osynlig laserstrålning när denna del är öppnad och spärren är urkopplad. Betrakta ej strålen. (s)

ADVARSEL: Usynlig laserstrålning ved åbning, når sikkerhedsafbrydere er ude at funktion. Undgåudsættelse for stråling. (d)

VARO: Avattaessa ja suojalukitus ohitettaessa olet alltiina näkymättömälle lasersäteilylle. Älä katso säteeseen. (f)

Control Panel and Remote — Illustrations

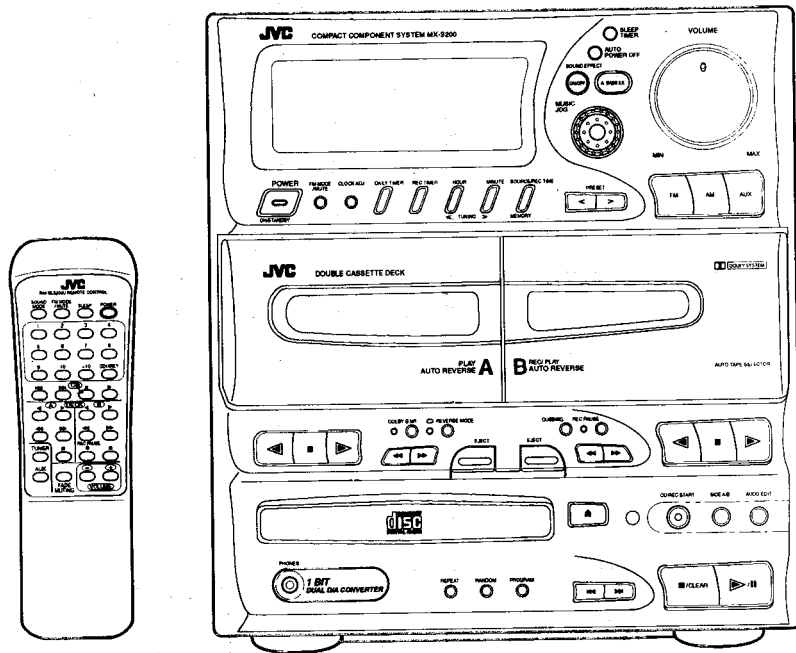


Table of Contents

Control Panel and Remote — Illustrations	G-3	Listening to a Tape	11
Features	2	One Touch Play	11
How to Put Batteries in the Remote Control	2	Regular Play	11
Read Me First	3	Fast Left and Fast Right	12
How This Manual Is Organized	3	Music Scan	12
Getting Started Right	4	Other Useful Features Using the Tape Deck	12
Unpacking	4	Listening to a VCR or Optional Equipment	12
Location	4	Recording	13
Set Up	4	Things to Know before You Start Recording	13
1. Connect the Antenna(s)	4	Standard Recording	13
2. Connect the Speakers	4	To Record Any Sound Source to Tape	13
3. Put Batteries in the Remote	4	CD to Tape Recording	14
4. Connect Other Sound Sources	4	CD Direct Recording	14
Connection Diagrams and Instructions	5	Auto Edit Recording	14
Connecting the FM and AM Antennas	5	Tape to Tape Recording (Dubbing)	15
FM Antenna Connections	5	Dubbing	15
AM Antenna Connections	5	How to use the DUBBING button	15
Connecting the Speakers	6	How to Set the Clock and Use the Timers	16
Connecting Auxiliary Equipment	6	Clock Setting	16
Common Operations	7	Setting the REC (Recording) Timer	16
COMPUPLAY	7	Setting the DAILY Timer	17
Turning the CA-S200 On	7	Setting the SLEEP Timer	18
Turning the CA-S200 Off	7	Timer Priority	18
Controlling the Sound	7	Turning Off the CA-S200 Automatically	18
Volume Control	7	How to Use the Remote Control	19
Sound Modes	7	Using the 10 Key Pad	19
LIVE SURROUND Effects	7	Using the FM Mode/Mute Key Pad	19
Preset SEA Effects	8	Using the SLEEP Key Pad	19
Active BASS Effect	8	Care and Maintenance—General Notes	20
Listening with Headphones	8	Compact Discs	20
The Display and the Indicators—Two Very Useful Hints	8	On Moisture Condensation	20
Listening to the Radio	8	Cassette Tapes	20
One Touch Radio	8	Tape Deck	20
Tuning in a Station	9	Troubleshooting	21
Presetting Stations	9	Specifications	21
Receiving in Stereo or Mono	9		
Listening to a Compact Disc	10		
Basics of Using the CD Player	10		
To Play a CD	10		
How to Find the Track or a Particular Point You Want	10		
Locating a Track with the Remote	10		
Programming the Playing Order of the Tracks	10		
Random Play	10		
Programmed Play	10		
Repeating a Selection or the Entire Disc	11		

Features

Great sound

Here are some of the things that make your CA-S200 powerful and easy to use.

- To get such **great sound** from such a compact package the CA-S200 has:
 - Pre-programmed live surround effects like **D.CLUB, HALL, STADIUM**, as well as SEA effects like **ROCK, POPS, CLASSIC**, so you don't have to be a sound engineer to get great effects.

Easy operation



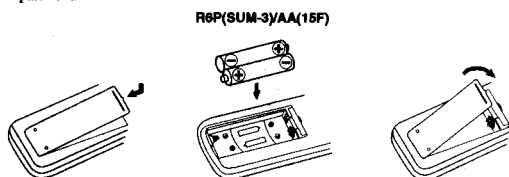
- The controls and operations have been redesigned to make them very easy to use so you can spend your time listening to music.
 - With the One Touch Operation feature of JVC's new **COMPUPLAY** you can turn on the CA-S200 and start the radio, the tape deck, or the CD player with a single touch.
 - Four timers, **REC Timer, DAILY Timer, SLEEP Timer** and **AUTO POWER OFF** are extremely easy to set, so you can really use them.
 - The **Display** is large and clear. It's organized so you can tell at a glance what's happening because functions light up as you use them, and blink to tell you they are ready. It gives you some important messages like "NO DISC," "NO TAPE" and some others.
 - **Auto Edit** figures out how to arrange CD tracks on a tape. When you are recording a tape from a CD, the selections aren't cut off if the tape ends before the selection does.

IMPORTANT CAUTIONS

- 1. Installation of the Unit**
 - Select a place which is level, dry and neither too hot nor too cold (between 5°C and 35°C).
 - Leave sufficient distance between the Unit and your TV.
 - Do not use the Unit in a place subject to vibrations.
- 2. Power cord**
 - Do not handle the power cord with wet hands!
 - When unplugging from the wall outlet, always pull the plug, not the power cord.
- 3. Malfunctions, etc.**
 - There are no user serviceable parts inside. If anything goes wrong, unplug the power cord and consult your dealer.
 - Do not insert any metallic object into the Unit.

How to Put Batteries in the Remote Control

Match the polarity (+ and -) on the batteries with the + and - markings on the battery compartment.



CAUTIONS: Observe Proper Handling of Batteries.

To avoid battery leakage or explosion:

- If the range or effectiveness of the remote control decreases, replace the batteries.
- Remove batteries when the Remote will not be used for a long time.
- When you need to replace the batteries, replace both batteries at the same time with new ones.
- Don't use an old battery together with a new one.
- Don't use different types of batteries together.
- Strong impact on the remote control may cause batteries to drop out of the battery compartment.

Read Me First

How to get the most for your money by using this manual.


The Engineers at JVC have made the CA-S200 very easy to use, and if you are experienced at using audio equipment, you can figure out how to use some of the CA-S200 controls by yourself. However, we have built some new features into this model, which you can learn about easily from the manual.

If you are a new user or just want a review, this manual explains how to use the CA-S200 and take advantage of its features for playing and recording music, as well as other sounds. One way to use this manual is to read it through now and refer back to it when you need to refresh your skills for some special operation. Of course you can just look up the topics, such as recording a CD, that you want to do, but remember that you may need to refer to other parts of the manual for some of the instruction: for instance, in explaining how to record a CD, we assume you already know how to load a CD. That's why we recommend that you read the manual through once before starting. We've made it short, and easy to follow.

However before you proceed, please read the Cautions on page 2 and the set-up directions.

How This Manual Is Organized

We have incorporated some special features in this manual:

- Basic information that is the same for many different functions is grouped in one place, and not repeated in each procedure. For instance, in the section on playing a CD, we do not repeat the information about setting the volume and the sound conditioning, which are mentioned in the Common Operations section.
- Names of buttons, controls and function names that light up on the display panel are written in all Capital letters like this: **POWER**.
- When we are talking about the Function, rather than the **BUTTON** or **DISPLAY**, then we just capitalize the first letter of the words.
- The  alerts you to important information or how to solve special problems that may occur when using the CA-S200.

The column on the left of the page is a special place to make it easier to find just what you want to know about, with little headlines announcing what each part of the page is about. Sometimes illustrations and helpful hints are placed here also.

Basically we use three kinds of information to help you understand and use the CA-S200:

- Information about what you can do (such as record a CD or preset a radio station) and how the Unit is designed to make doing this activity easy.
- Procedures, usually numbered in the order you do the steps, to guide you in exactly what to do to accomplish something, such as tune a radio station or record a tape.
- Information you need to know to make decisions about which functions of the CA-S200 to use for particular tasks (such as when to use Dolby NR to improve tape sound) and special hints to make your work go smoothly, like reminding you to set the sound effects before starting the CD to tape recording, since they cannot be changed once recording begins without starting completely over.

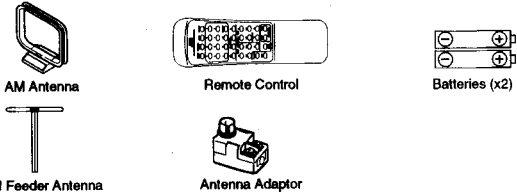
The manual has a table of contents to help you easily look up what you want to know too. We've enjoyed making this manual for you, and hope you will use it to enjoy the sound and many features built into your CA-S200.

Getting Started Right

inside the packing box....

Unpacking

Of course you have already opened your CA-S200 carton, since you are reading this manual. Although the Unit is quite sturdy, you may want to save the packing to re-pack your CA-S200 in case you are moving it some distance. Check to be sure you have all of the following things, which are supplied with the CA-S200:



If any are missing, contact your dealer immediately.

Location

You can place the CA-S200 in many different kinds of locations to suit your needs; just observe the Important cautions 1 on page 2: keep away from moisture and heat; leave some space between the Unit and its surroundings, more than 1 cm at the sides of the console and 10 cm at the back.

Set Up

You will need to do the following four things to get your CA-S200 ready to use.

1. Connect the Antenna(s).
2. Connect the Speakers.
3. Put Batteries (included) in the Remote.
4. Connect other sound sources (such as VCR) if used.

1. Connect the Antenna(s)

Follow the diagrams on page 5. Here's what you need to know:

- For AM reception you must connect the supplied loop antenna. If reception is poor, connect the outside antenna, but leave the loop antenna in place—the AM will not work correctly without it.
- For FM reception, connect the supplied wire as shown. However, if you use an outdoor antenna, disconnect the indoor FM antenna first.
- To avoid noise, keep antennas away from metallic parts of the CA-S200, connecting cords and the AC power cord.

2. Connect the Speakers

Basically, you look at the diagrams on page 6 and follow the pictured instructions.

3. Put Batteries in the Remote

Pay close attention to getting the batteries in correctly—we've made it very easy, just match the + and - marks on the batteries with the + and - markings on the Remote. See page 2 for instructions

CAUTION: Handle batteries with care. See page 2 for proper use of batteries.

4. Connect Other Sound Sources, such as VCR

You can play the sound portion of a TV program or video tape through your CA-S200's sound system, often improving it greatly. A VCR can also be hooked up to play through the CA-S200. Just follow the diagram on page 6.

CAUTION: DO NOT connect optional equipment while the power is ON.

Now you can plug the AC power cord into the wall socket. The standby indicator is lit and the clock display starts blinking. Your CA-S200 is at your command!

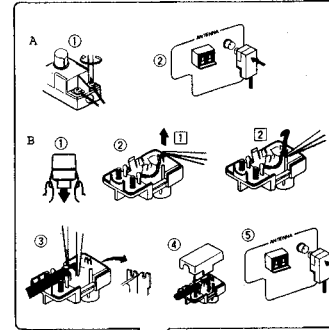
CAUTION: First make all connections before plugging the Unit into any AC power outlet.

Read on and find out how to use the many features built into your Unit.....

Connection Diagrams and Instructions

Connecting the FM and AM Antennas

FM Antenna Connections



A Using the Supplied Feeder Antenna

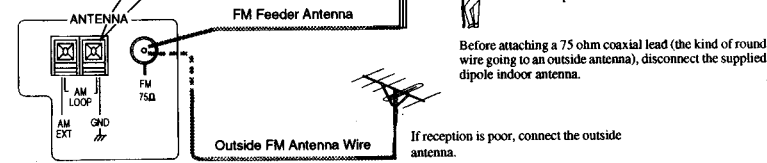
- ① Attach the feeder antenna to the FM connector as shown in the figure.
- ② Connect the FM connector to the FM 75-ohm COAXIAL terminal.

B Using FM 75-ohm Antenna Cable (Not Supplied)

- ① Open the claws at both sides and remove the cover.
- ② Move the conductor wire from ① to ② using tweezers or a similar tool (only when using coaxial cable).
- ③ Fix the coaxial cable and its core.
- ④ Put on the cover.
- ⑤ Connect the FM connector on the FM 75-ohm COAXIAL terminal.

Note:

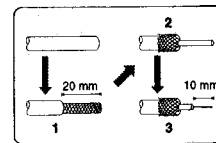
Make sure the antenna conductor does not touch any other terminals, connecting cords and power cord on the system. This could cause poor reception.



Unfold the loops of the supplied dipole FM feeder antenna and extend them as shown. Fasten them up in the position which gives you the best FM reception.

Before attaching a 75 ohm coaxial lead (the kind of round wire going to an outside antenna), disconnect the supplied dipole indoor antenna.

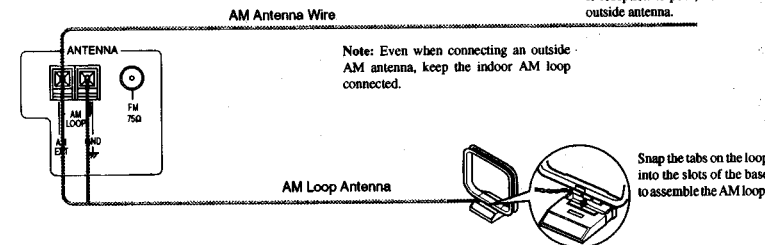
If reception is poor, connect the outside antenna.



How to Strip the 75-ohm Coaxial Cable

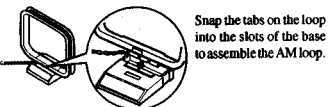
1. Strip back the outside covering of the 75 ohm coaxial cable to expose the braided metallic mesh.
2. Pull the mesh back and twist into a single connector as shown.
3. Strip the insulation about 10 mm back from the central wire.
4. Attach to the supplied Antenna Adaptor, as shown in the diagram above.

AM Antenna Connections



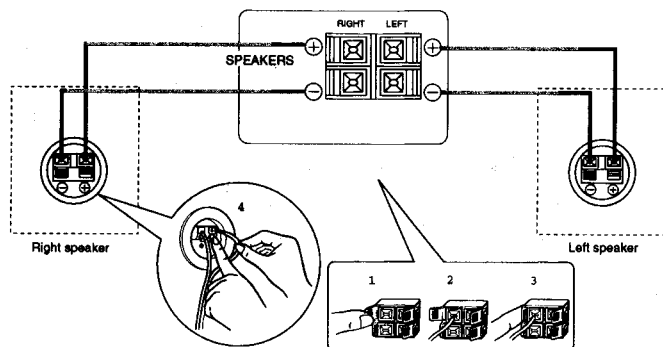
If reception is poor, connect the outside antenna.

Note: Even when connecting an outside AM antenna, keep the indoor AM loop connected.



Snap the tabs on the loop into the slots of the base to assemble the AM loop.

Connecting the Speakers



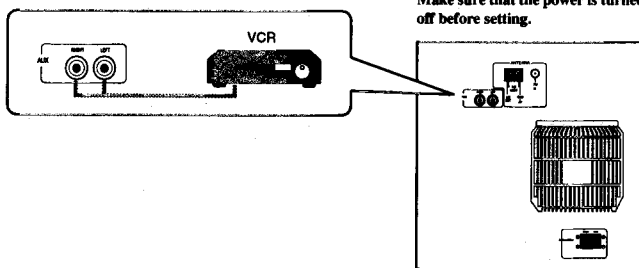
For each speaker connect one end of the speaker wire to the speaker terminals on the back of the CA-S200 and one end to the speaker. On the back panel:

1. Open each terminal.
2. Insert the end of the speaker wire as shown (be sure to remove the insulation at the end of each wire first).
3. Close the terminals to clamp the speaker wires firmly in place.
4. Connect the red (+) and black (-) terminals of the right side speaker to the red (+) and black (-) terminals marked RIGHT on the CA-S200.
Connect the red (+) and black (-) terminals of the left side speaker to the red (+) and black (-) terminals marked LEFT on the CA-S200.

IMPORTANT: Match the polarity of the speaker terminals with the polarity of the terminals on the CA-S200, red (+) to red (+) and black (-) to black (-).
Check your speakers for correct impedance: from 6 ohms to 16 ohms.

Connecting Auxiliary Equipment

VCR



IMPORTANT
Make sure that the power is turned off before setting.

Common Operations

Here are the things that apply to all the functions of your CA-S200. If something in a procedure is unclear to you, check back here.

The Magic of



COMPUPLAY

COMPUPLAY is JVC's new feature that lets you control the most used functions of the CA-S200 with a single touch. This One Touch Operation starts playing a CD, turns on the radio, plays a tape, etc. with a single press of the play button for that function. What One Touch Operation does for you is to turn the power on, then start the function you have called for. If the Unit is not ready, such as no CD or tape in place, the Unit still comes on and then gives you a message on the display so you can put in a CD or tape.

How One Touch Operation works in each case is explained in the respective section about that function.

Turning the CA-S200 On

Press POWER; the stand-by indicator on POWER goes out.

- The CA-S200 comes on ready to do whatever it was doing when the power was last shut off. So if the last thing you were doing was listening to a tape in deck B, you now are ready to listen to a tape again in deck B, or you can change to another source.
- If you were listening to the radio last, the radio comes on playing that last station.

Turning the CA-S200 Off

Press POWER again; the stand-by indicator lights up and the display is blank except for the clock display.

- A small amount of power (13 watts) is always consumed even though the power is turned off (called standby mode).
- To switch the power off completely, unplug the power cord.

⚠ If the power cord is unplugged, preset stations may be erased and the clock will lose its setting. Resetting is necessary.



Making it sound the way You want it to:

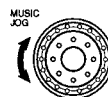
•Volume

Controlling the Sound

The same set of buttons and knobs control the sound, no matter which function is producing it. Here we will briefly explain how these controls work, and how you can use them to increase your enjoyment of the music.

Volume Control

Rotate clockwise to increase loudness, counter-clockwise to reduce loudness. Be sure to read the caution at the end of this section about high sound levels damaging your hearing or your equipment.



Sound Modes

The CA-S200 has some preset sound effects that let you control the way your music sounds, so you can tailor it for your room and for the quality of the source. We can give you some idea of how each one affects the music, but the only way to really tell is try them yourself.

You can use only one effect at a time selecting from the MUSIC JOG dial (LIVE SURROUND and SEA effects). Feel free to experiment!

To get an effect, press the SOUND EFFECT ON/OFF button and the last live surround effects or sound mode is displayed. To select another effect, turn the dial so that the indicator lights up. To cancel the effect, press the SOUND EFFECT ON/OFF button, and "OFF" will appear. You can turn the dial to select another effect.

LIVE SURROUND effects

With these effects, the sound coming from only two speakers approaches the quality of sound from four speakers.

- D.CLUB
- HALL
- STADIUM

•D.CLUB — Increase resonance and bass.

•HALL — Adds depth and brilliance to the sound, like in a concert hall.

•STADIUM — Adds clarity and spreads the sound, like in an outdoor stadium.

ROCK POPS CLASSIC

Preset SEA (Sound Effect Amplifier) effects

Adjustments of frequency range levels have been preset as three SEA effects.

ROCK — Used for boosting low and high frequencies.

POPS — Used for increasing the richness and fullness of the vocal sound.

CLASSIC — Used for wide and dynamic sounds.

☞ On the Remote, you can't find buttons for these preset sound effects. By pressing **SOUND MODE** on the Remote, you can cycle through the effects one after the other.

Things to remember about using preset effects:

- Set a preset effect before you start recording with Auto Edit, because once recording starts, the preset effect cannot be changed without stopping recording, and often having to start over. If you need different effects for each selection, use the standard recording features described on page 13, rather than Auto Edit.
- Each of the preset effect changes the sound in a different way by increasing or reducing the intensity of the sound. To see how each part of the sound will be changed, watch the display as you select an effect. The display shows the pattern of enhancement for that effect.

Active BASS Effect

The richness and fullness of the sound is maintained regardless of how high or low you set the **VOLUME** control.

To get the effect, press **A. BASS EX.** so that the indicator on the display lights up and "ACT - BASS" will appear for a few seconds.

To cancel the effect, press the button again so that the indicator goes off.

Listening with Headphones

A pair of headphones can be connected to the **PHONES** jack on the front panel. Be sure to turn down the volume before connecting or putting on headphones, as high volume can damage both the headphones and your hearing.

The Display and the Indicators—Two Very Useful Hints

- The display tells you many useful things about what your Unit is doing. Watch it as you give instructions by pressing buttons. It also gives you some messages like "NO DISC", "NO TAPE", and some others to show you what to do next.
- Some of the controls have a small light, called an indicator, right next to or even right on the button. The light comes on when the function is on, and goes off when it is not in use.

CAUTION: Always set the **VOLUME** control to **MIN** before turning on a connected source such as a VCR, or starting any other of the sound sources such as the radio, tape, or CD player. Otherwise, if the **VOLUME** control is turned up, the sudden blast of sound energy can permanently damage your hearing and/or ruin your speakers.

Listening to the Radio

You can listen to both **AM** and **FM**.

- Before listening to the radio, check that both the **AM** and **FM** antennas are firmly connected (See page 5).

One Touch Radio

Just press **AM** to turn on the Unit and start playing the most recent **AM** station tuned in or press **FM** to start the most recent **FM** station tuned in.

- You can switch from any other sound source to the radio by pressing **AM** or **FM**.



Tuning in a Station

Press **AM** to turn on the radio. The display shows the station frequency tuned to.

Three ways to tune in a station

Three ways to select a station

- Press **TUNING < or >** repeatedly to move from frequency to frequency until you find the one you want.
- Hold down **TUNING < or >**, the frequency starts changing on the display. When a station is tuned in, "TUNED" lights up on the display and the frequency stops changing.
- Press once and release **PRESET < or >** to go to the next preset station, or hold **PRESET < or >** to cycle through the preset stations; release the button when the preset station you want shows on the display. (This method is possible only after presetting stations.)

You can also use the Remote to tune in stations and preset channels:

To tune preselected stations with the Remote:

1. Press **TUNER** to select the band you want.
2. Select the station by entering the preset channel number in the 10 key pad of the Remote (Refer to page 19).

Presetting Stations

Once a station is assigned to a channel number, the station can be quickly tuned either from the Remote using the 10 key pad of the Remote or the CA-S200 itself using **PRESET < or >** to call up the channel number.

- You can preset 40 **AM** and **FM** stations at random.

☞ Preset stations may be erased when power is cut off to the Unit, as when it is unplugged from the AC outlet or a power failure occurs. If the preset stations are lost, simply set the stations again using the following procedure.

How to preset AM and FM radio stations

1. HOUR MINUTE TUNING
2. SOURCE/REC TIME
3. PRESET
4. SOURCE/REC TIME

To preset radio stations

1. Tune in the station you want to set using **TUNING < or >**.
2. Press **MEMORY**.
On the display "MEMORY" will blink for 4 seconds.

☞ During these 4 seconds while "MEMORY" is blinking assign a channel number to the station and enter it into the memory.

3. Select a channel number by pressing **PRESET < or >** until you find the channel number you want.
4. Press **MEMORY** and the station will be assigned to the channel number shown on the display.
 - If a station has been previously stored using the same channel number, it will be erased and the newly selected station will be stored.

Receiving in Stereo or Mono

When an **FM** stereo broadcast is hard to receive or noisy:

- Press **FM MODE/MUTE** on the CA-S200 and the remote control so that reception improves, although you lose the stereo effect. In this state, you will hear noise while tuning into stations.
- To restore stereo effect, press **FM MODE/MUTE** again so that "AUTO" appears on the display.
In this state, when a program is broadcast in stereo, you will hear stereo sound; when in monaural, you will hear monaural sounds. Furthermore, in this state, you won't hear noise while tuning to stations.





Listening to a Compact Disc

The quickest way to start a CD is with the One Touch Operation:

- Press **>/II** on the CA-S200 or **>** on the Remote.
 - If a CD is already loaded, the Unit automatically turns on and starts to play it from track 1.
 - If no CD is loaded, the Unit automatically turns on and the CD tray opens. This is exactly the same as what happens if you press **▲** instead of **>/II**.

Basics of Using the CD Player

Here are the basic things you need to know to play a CD and locate the different selections on it. Each selection is called a track, so when we are talking about locating a track, we are also talking about how you find a certain song or performance.

To Play a CD

1. Press **▲**.
2. Put a CD, printed side up, into the tray.
3. If you want to listen to the CD now, press **>/II** (or **>** on the Remote).
The display shows the track being played and the length of time since it started.

To stop the CD, press **■/CLEAR** (or **■** on the Remote). When you start again, the CD begins with track 1.

To pause the play, press **>/II** while the CD is playing so when you press **>/II** again (or **>** on the Remote) the CD starts just where you left off.

To remove a CD, press **▲**, take the CD out, and press **▲** again to close the tray.

- Keep the tray closed except during loading and unloading to protect the mechanism from dust and damage.

How to Find the Track or a Particular Point You Want

Each time you press briefly and release **◀◀** or **▶▶** (◀◀ or ▶▶ on the Remote) the track changes by one.

- Press and release **▶▶** (or **▶▶** on the Remote) to go ahead one track at a time.
- Press and release **◀◀** (or **◀◀** on the Remote) to go back one track at a time.
- Holding down **◀◀** or **▶▶** will fast forward or fast reverse the CD so you can quickly find the particular part of a track you want to listen to. Fast forward and fast reverse are only possible by using the buttons on the Unit when the CD is playing.
- Holding down **◀◀** or **▶▶** on the Remote allows you to change the tracks continuously. (By using the buttons on the Unit, it is only possible when the CD is not playing.)

Locating a Track with the Remote

Using the 10 key pad on the Remote allows you to go directly to the beginning of any track.

1. Press CD 10 KEY.
2. Enter the number of the track you want using the 10 key pad. The selected track will start to play.
Example: for track 5, press 5. For track 15, press +10 then 5. For track 20, press +10, then 10.

Programming the Playing Order of the Tracks

In addition to the high quality sound which makes the CD such a good way to listen to music, you can change the order in which the tracks play.

Random Play

The tracks will play in no special order when you use this play mode.

Before starting a CD, press **RANDOM** on the CA-S200.

When all of the tracks have been played, the CD shuts off.

- Press **REPEAT** before or during random play to instruct the CA-S200 to continue with a different random track selection after the last selection is played.

To cancel random play, press **■/CLEAR** (or **■** on the Remote).

Programmed Play

You can arrange the tracks to play in any order you like with the Program function. The Remote is very useful for this because you can select tracks by number with the 10 key pad. See "How to Use the Remote Control" on page 19, if you need more information about its use. You can also use the main Unit.

How to program: just 3 easy steps



To program the order of CD tracks using the Remote

1. Press **PROGRAM** on the CA-S200.
2. Press **CD 10 KEY**.
3. Press the number of the first track you want to hear, then the number of the second track, and so on until you have entered all the track numbers you want to play.
 - Refer to the section "How to use the Remote Control" on page 19 if you have questions about how to enter numbers above 10.
 - The unit will only display up to 15 tracks.
 - Your program can include up to 32 tracks, and you can repeat tracks if you wish.
4. Press **>** to start the program—the first track you programmed will start to play, followed by the next one you entered, until all the selected tracks are played.

To program the CD from the Unit

1. Press **PROGRAM**.
2. Press **◀◀** or **▶▶** to locate the track you want to start with.
3. Press **PROGRAM** to store the selected track.
4. Repeat steps 2 and 3 until you have entered all the tracks you want to program.
5. Press **>/II** and the Unit will begin playing the tracks in the order you programmed them.

To stop the CD during programmed play, press **■** on the Remote or **■/CLEAR** on the CA-S200.

To cancel the program, press **■/CLEAR** on the CA-S200 while the CD is not playing.

A few hints to make programming easier

- To add a track to your program, enter the track numbers with the 10 key pad. Any tracks you add will appear at the end of the current program.
- If you want to change the entire program, press **■/CLEAR** on the CA-S200 while the CD is off, and then you can start over.
- To check the order of the tracks in your program in **STOP** mode, press **◀◀** or **▶▶** on the Remote to display the order of the tracks. Each time you press **▶▶** the next selection in your program is displayed. (Press **◀◀** for the previous selections.)

Programming Hints

Repeating a Selection or the Entire Disc

You can have either the program or the individual selection currently playing repeat as many times as you like by pressing **REPEAT**.

Each time you press **REPEAT**, it cycles from function-off, which turns "REPEAT" out on the display, to "REPEAT" which will repeat all tracks in order or according to the program you have set, and then to "REPEAT 1" which will repeat the currently played track.

To cancel repeat mode, press **REPEAT** until the "REPEAT" or "REPEAT 1" are not displayed any more.

Repeat a selection or the whole CD



Listen to a tape: How to use your tape deck

Listening to a Tape

The tape deck allows you to play, record and dub audio tapes.

- Most tapes are now recorded with the Dolby NR system, so first check which type of the Dolby NR system is used on the tape. Only the Dolby B NR is incorporated into the CA-S200. However, tapes other than the Dolby B type is also available for playing.
- With Automatic Tape Type Detection, you can listen to type I, II, or IV tapes without changing any settings.
- To record or dub, see Recording on page 13.

One Touch Play

By pressing either **>** or **<** on either deck A or B (**>** or **<** on the Remote), the power will come on, and if a tape is in the deck, it will start to play. If no tape is loaded, the Unit will come on and wait for further instructions.

Regular Play

When the power is already on, you can use this basic procedure:

1. Press **EJECT** of the deck you want to use.
2. When the cassette carrier opens, put the cassette in, with the exposed part of the tape down toward the base of the CA-S200.
 - If the cassette carrier does not open, turn the Unit off, then back on again and press **EJECT**.
3. Close the carrier gently.
4. Press **>** to play the front side, or **<** to play the reverse side. The arrow indicator on the pressed button starts blinking and tape play starts.

To stop playing, press **■**.

To remove the tape, press **EJECT**.

How to use the CD player: from the most basic to advanced

How to find a track

Using the Remote to find a track

With programming, you can play back tracks in any order



Program with the Remote



Finding the place you want: Music Scan

Fast Left and Fast Right

- While the tape is stopped, press ◀ and the tape will wind rapidly onto the left side of the cassette without playing.
- While the tape is stopped, press ▶ and the tape will wind rapidly onto the right side of the cassette without playing.

Music Scan

To find the beginning of a music track during play, use the Music Scan function. Music Scan searches for blank portions that usually separate tracks, then plays the next song.

- If you are recording on deck B or put deck B in recording pause mode.

⚠ Music Scan will not work on deck A.

Scan Back

To find the beginning of the current song

Press ◀◀ or ▶▶ during play.

- Make sure that you press ◀◀ or ▶▶ in the opposite direction to tape play. Searching stops automatically at the beginning of the current song, and the current song starts automatically.

Scan Forward

To find the beginning of the next song

Press ◀◀ or ▶▶ during play.

- Make sure that you press ◀◀ or ▶▶ in the same direction to tape play. Searching stops automatically at the beginning of the next song, and the next song starts automatically.

⚠ The Music Scan works by detecting a 4-second blank at the beginning of each selection. So it won't work well if your tape has:

- No blank at the beginning of a track.
- Noise (often caused by much use or poor quality dubbing) which fills the blank with noise.
- Long very soft passages or pauses in a selection. The scan will detect these instead of the 4-second long blanks. If this happens, just go ahead and scan again until you reach the selection you want.

More Useful Things to Know:

- Reverse Mode
- Continuous Play
- Dolby

Other Useful Features Using the Tape Deck

- Use **Reverse Mode** to make the tape automatically reverse at the end of a side and start playing the other side. Press REVERSE MODE to change from Reverse Mode on (the indicator is lit) to Reverse Mode off, or from off, to on.
- Continuous Play:** When a tape finishes playing, the Unit always checks to see if a tape is in the other deck. If one is there, it automatically starts playing it while rewinding the first tape. This Continuous Play happens regardless of which deck starts first.
 - With the Reverse Mode on, the other tape will start playing when both sides of the first tape have been played. As long as the REVERSE MODE indicator is lit, the tapes will continue to play in the above sequence.
 - With the Reverse Mode off, the tape will play to the end of the current side, switch to the other deck and start playing a tape there while rewinding the first tape. Then when one side of the tape in the other deck is over, the first deck starts playing the same side again. The tapes will continue to play in the above sequence.
- Press DOLBY B NR to switch **Dolby Noise Reduction** on (the indicator lights up) or off (the indicator goes off). If a tape is recorded with Dolby B NR, playing it back with the Dolby NR on will reduce tape noise and improve the clarity of the sound.

Dolby noise reduction manufactured under license from Dolby Laboratories Licensing Corporation. "DOLBY" and the double-D symbol are trademarks of Dolby Laboratories Licensing Corporation.

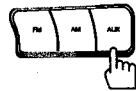
Listening to a VCR or Optional Equipment

By playing the sound from a VCR or optional equipment through the CA-S200, you can often dramatically improve the quality, and gain control over how the music or program sounds. Once the connected equipment is playing through the CA-S200, you can apply the sound effects, make recordings, or listen with the headphones.

- First make sure that the connection between optional equipment and the CA-S200 has been done correctly (See page 6).

1. Set the Unit's volume to MIN.
2. Press AUX on either the Remote or the Unit. "AUX" lights up on the display.
3. Start playing the connected equipment. The sound from the connected source is now played through the CA-S200.
4. Adjust the volume level.

To cancel the AUX setting
Change the source by starting any one of the CA-S200's built-in sound sources, such as the radio or CD player.



Recording

What can you record?

- Tapes
- Radio
- CDs
- Microphone
- Connected source

Recording onto cassette tape from any of the sound sources is easy and the CA-S200 does most of the work. Just have a tape in deck B, have the source ready, make one or two settings, and you're ready to record.

For each source the procedure is a little different and now we'll explain just what to do for each one. If you forget, just go back to the section which has the specific procedures you need. But first, here are a few things to make your recordings better.

Things to Know before You Start Recording:

Reduce hiss—Dolby NR

- Press DOLBY B NR — the indicator lights up — to reduce tape hiss, except when dubbing tapes since Dolby NR is inactive in dubbing mode regardless of the setting of DOLBY B NR. The dubbed tape automatically contains the same processing as the source tape.

Recording level

- The recording level, which is the volume at which the new tape is being made, is automatically set correctly, so it is not affected by the VOLUME control on the CA-S200. Thus, you can adjust the sound you are actually listening to without changing the recording.

Erasure protection

- Two small tabs on the back, one for side A and one for side B, can be removed to prevent accidental erasure or re-recording. To record on a cassette with the tabs removed, you must cover the holes with adhesive tape first. However, when a Type II tape is used, only cover part of the hole as shown, since the other part of the hole is used to detect the tape type.



(Type II tape)

Recording sound mode

- When recording, you can select the sound effects with the preset sound effect buttons to condition the music as it is recorded. But when recording using Auto Edit or CD Direct, once recording has started, these settings cannot be changed. When recording from tape deck A to deck B, the sound effects cannot be used, because the signal doesn't go through the amplifier first. This method gives you the highest quality dubbed tapes.

Usable tape type

- Type I and type II tapes can be used for recording. While type IV tapes can be played, type IV tapes cannot be used for recording on the CA-S200.

CAUTION: If recordings you make have excessive noise or static, the Unit may be too close to a TV which was on during the recording. Either turn off the TV or increase the distance between the TV and the CA-S200.

Standard Recording

Standard recording: Any source to tape

This is the basic method for recording any source. The CA-S200 also has special ways for recording CD to tape, and tape to tape, which save you time and effort, as well as give you some special effects. However, when you need to add a selection to a tape you have made, or are combining selections from several sources on one tape, use the method we describe here; just substitute the source you want, such as a tape in deck A, or CD, or radio in this procedure. You can also record from the microphone or an auxiliary source with this procedure.

Source to tape: Step by step

To Record Any Sound Source to Tape

Follow these steps to record from any sound source onto a tape in deck B.

1. Insert a blank or erasable tape into deck B.
2. Press REC PAUSE. The REC PAUSE indicator lights up.
3. Press REVERSE MODE if you want to record on both sides of the tape. The REVERSE MODE indicator lights up.
4. Prepare the sound source, for example, tuning in a radio station, loading a CD, turning on a connected VCR or optional equipment for recording.
5. Press either > to record on side A, or < to record on side B of the tape, on deck B.

CD to tape recording: Introduction


CD to Tape Recording


There are three ways to record from CD to tape:

- Standard Recording** described on the previous page.
- CD Direct Recording** — Everything on the CD goes onto the tape in the order it is on the CD, or according to an order you have set in a program.
- Auto Edit Recording** — Your CA-S200 figures out which selections to put on which side of the tape, so a selection isn't cut off before it's finished when the tape runs out.

CD Direct Recording: Introduction

CD Direct Recording

1. Insert a blank or erasable cassette into deck B.
 - If you want to record on both sides of the tape, press REVERSE MODE on the tape deck so that the REVERSE MODE indicator lights up.
2. Load a CD into the tray and press  to close the tray.
3. Set the sound mode if you want, since the sound mode cannot be changed once recording starts.
4. Press CD REC START.
 - At the end of the tape, the CA-S200 automatically goes back to the beginning of the last selection and re-records it, this time gently fading out at the end. If you selected the REVERSE MODE, side B starts with the last selection on side A. (A 10-second blank is also created at the beginning of side B.) When the tape is finished, the Unit shuts off the CD and the tape deck.

To stop any time during the recording process
Press  on deck B.


Auto Edit Recording: Introduction

Auto Edit Recording


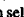
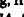

Using Auto Edit, you can record the CD tracks to fit the tape, so a selection isn't cut off. Auto Edit is one of the best ways to copy all of a CD onto a tape.

Auto Edit programs the CD tracks in the numerical order. To prevent the end of the last track on side A from being cut off, the last track on side A is selected to fit on the remaining tape length.

Auto Edit Recording: Step by step

1. Insert a blank or erasable cassette into deck B.
 - If you want to record on both sides of the tape, press REVERSE MODE on the tape deck so that the REVERSE MODE indicator lights up.
2. Load a CD into the tray and press  to close the tray.
3. Set the sound mode if you want, since the sound mode cannot be changed once recording starts.
4. Press AUTO EDIT on the CA-S200.

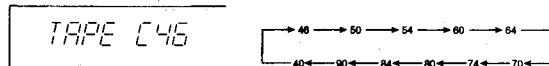
"EDIT" appears on the display and then the minimum standard tape length to use for this CD appears.

 - You can select a different length of tape, depending on the actual size of the tape you are using, from eleven possibilities programmed into the CA-S200: 40, 46, 50, 54, 60, 64, 70, 74, 80, 84, 90. Cycle through these choices using  or  (or  or  on the Remote) until you find the length closest to your tape's actual length.
 - If you pick a tape length shorter than the total playing time of the CD, the last tracks on both sides of the tape will be faded out as the tape ends.

AUTO EDIT




SIDE A/B



5. Press SIDE A/B.

The display shows which tracks will go on side A and which on side B. Each time you press SIDE A/B, the display switches between A and B.
6. Press CD REC START.

The Unit will automatically rewind the tape to the beginning of side A, create a 10 second blank, turn on the CD and start recording.

To stop any time during the recording process
Press  on deck B.

Tape to tape dubbing: Introduction

Tape to Tape Recording (Dubbing)



Recording from one tape to another is called dubbing.

You can dub for the best possible quality.

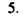

- To dub both sides of a tape, start from side A for both deck A and deck B, and press REVERSE MODE so that the REVERSE MODE indicator lights up.
- It is preferable that the type of tape Type I (Normal) or Type II (CrO₂) you record *from* be the same as the type you record *onto*.

Dubbing: Step by step

Dubbing


1. Insert a source cassette you want to copy *from* into deck A for playback.
2. Insert a blank or erasable cassette you want to copy *onto* into deck B for recording.
3. Press REC PAUSE on deck B.
4. Press  (or ) on deck B.

Recording starts.

 - To advance the leader tape, start recording first and wait about 10 seconds before starting the deck A.
5. Press  (or ) on deck A.



Deck A starts playing.



To stop any time during the dubbing process

Press  on both deck A and deck B.

How to use the DUBBING button

1. Insert a source cassette you want to copy *from* into deck A for playback.
2. Insert a blank or erasable cassette you want to copy *onto* into deck B for recording.
3. Press DUBBING.

Deck A and Deck B will start simultaneously.
4. To stop:
 - Press  on deck A. Recording on deck B will be paused by Rec Mute.
 - Press  on deck B. Deck A and deck B will stop simultaneously.

 Dolby NR is inactive in dubbing mode regardless of the setting of DOLBY B NR. The dubbed tape automatically contains the same processing as the source tape.
 You cannot dub using the sound modes such as D.CLUB, HALL, STADIUM, etc.

How to Set the Clock and Use the Timers

Four Timers: •REC •DAILY •SLEEP •AUTO POWER OFF

The timers let you control recording and playing functions automatically. With the CA-S200 they are particularly easy to set and use. Four types of timers are available:

- REC (Recording) Timer**—unattended recording of radio broadcasts. You can set the starting time and recording duration.
- DAILY Timer**—Wake up to music from any source.
- SLEEP Timer**—Fall asleep and have your CA-S200 turn off automatically after a certain length of time.
- AUTO POWER OFF**—Automatically turns off the Unit when the CD or tape finishes.

IMPORTANT! Set your clock!



Clock Setting

The timers depend on the clock: if the clock is right, the timers will work like you expect, but if the time is incorrect on the clock then the timers will also be incorrect.

Note: The clock must be set, or the timers cannot be set!

So, let's set the clock first.

1. Press **CLOCK ADJ.**
2. Set the hour by pressing **HOUR**.
Each time you press it, the hour advances by one. Hold the button down, and the clock will advance continuously as long as **HOUR** is held down.
3. Set the minutes by pressing **MINUTE**.
Each time you press **MINUTE** the minutes advance by one. Hold the button down, and the minutes advance in ten minute increments as long as **MINUTE** is held down.
4. Press **CLOCK ADJ.** again and the clock is set and starts from zero seconds.

Note: If there is a power failure, the clock loses its setting, the display shows "AM 12:00", and it must be reset.

Recording when you're not there



Setting the REC (Recording) Timer

With the Recording Timer you can make a tape of a radio broadcast automatically whether or not you are there. For the timer to work correctly, you need to make sure of the following in addition to setting the time for the radio and tape recorder to come on:

- You can set the Recording Timer whether the Unit is on or off.
- The tape you want to record onto must be in deck B.
- The radio station whose program you want to tape must be the last one played before timer comes on.

Follow this procedure to set the Recording Timer

1. Press **REC TIMER** so that "REC TIMER" blinks on the display. As long as it is blinking, you can continue with the setting process.
 - If you wait too long, and it stops before you are done, just press **REC TIMER** twice and start over.
2. Set the time you want the radio to come on and the tape in deck B to start recording.
 - Press **HOUR** to set the hour and **MINUTE** to set the minute.
3. Press **SOURCE/REC TIME** to set the length of time for the recording.
 - Each time you press this button, the duration increases by one minute. If you hold the button down, it will advance in ten minute increments up to 120 minutes, which is the maximum time you can set.
 - At the end of the set length of time the CA-S200 will shut off.
 - If you set no time, but leave the display showing --, the CA-S200 will not shut off, but keep playing until you shut it off.
4. Press **REC TIMER** again, or wait eight seconds. "TIMER OK" appears for a while, then "REC TIMER" lights up on the display.
The Unit will memorize the setting. When the set time comes, the CA-S200 turns on and records the last station tuned when the Unit was last turned off.

Note: If you press any button while the Recording Timer is being activated, the function will be deactivated, but recording will not stop.

Before the set time comes

- Check that tape direction is correct. This is important especially when Reverse Mode is off.
- Set Reverse Mode on if you want to record on both sides of the tape.
- Select the sound mode if you want to record with one of the sound mode (D.CLUB, HALL, STADIUM, etc.).
- Set the **VOLUME** control to **MIN** so that no sound comes out from speakers when the recording timer switches on the CA-S200. This is important especially if you will be out during the recording.

To change the Recording Timer setting

Press **REC TIMER** twice ("REC TIMER" reappears) and make any changes you want.

To cancel the Recording Timer setting

Press **REC TIMER** button again so that "REC TIMER" goes off on the display.

Setting the DAILY Timer

With this timer you can wake up to music from a CD, tape or your favorite radio program.

- You can set the **DAILY Timer** whether the Unit is on or off.

Follow this procedure to set the **DAILY Timer**

1. Press **DAILY TIMER** so that "DAILY TIMER" blinks on the display.
2. Set the time you want the Unit to turn on.
 - Press **HOUR** to set the hour and **MINUTE** to set the minute.
3. Press **SOURCE/REC TIME** to set the source.
 - Each time you press this button, the display shows one of the four possible sources: CD, TAPE, FM or AM. Leave the one you want lit but select within 15 seconds.
 - If you select FM or AM as the source, the last played station is the one which comes on at the set time.
4. Press **DAILY TIMER** again, or wait eight seconds. "TIMER OK" appears for a while, then "DAILY TIMER" lights up on the display.
The Unit will memorize the setting.
When the set time comes, the CA-S200 turns on ("DAILY 60" appears on the display), plays the source you have for 60 minutes, and then the Unit turns off.

Note: If you press any button while the **DAILY Timer** is being activated, the Unit will not turn off automatically after 60 minutes.

Before turning off the Unit

- If the source is tape:
 - Check that the tape transport direction is correct. This is important especially when Reverse Mode is off.
 - Deck B has priority, so if tapes are in both deck, the tape in deck B plays first.
 - Set Reverse Mode on if you want play both sides of the tape.
- Select the sound mode if you want to listen using a sound mode (D.CLUB, HALL, STADIUM, etc.).
- Set the volume to an appropriate level.

To change the **DAILY Timer** setting

Press **DAILY TIMER** twice ("DAILY" reappears) and make any changes you want.

To cancel the **DAILY Timer** setting

Press **DAILY TIMER** button again so that "DAILY TIMER" goes off on the display.

Sleep Timer: turns the Unit off automatically after a set time



Setting the SLEEP Timer

Use the SLEEP timer on the remote to turn the Unit off after a certain number of minutes when it is playing. Using this timer, you can fall asleep to music.

- You can only set the SLEEP Timer when the CA-S200 is on and a source is playing.

Follow this procedure to set the SLEEP Timer (or press SLEEP on the remote)

With the CA-S200 on and a source playing, press SLEEP TIMER on the remote. "SLEEP" starts blinking on the display.

- Each time you press SLEEP TIMER while "SLEEP" is blinking, it changes the number of minutes shown on the display in this sequence:



When the number of minutes you want shows on the display, just wait 8 seconds until "TIMER OK" appears and "SLEEP" stops blinking, but remains lit.

The Unit will now turn off after the number of minutes you set.

To change the SLEEP Timer setting

Press SLEEP TIMER until the number of minutes you want appears on the display.

To cancel the SLEEP Timer setting

Press SLEEP TIMER until "SLEEP" goes off on the display.

Turning off the Unit also cancels the SLEEP Timer.

Timer Priority

Since each timer can be set independently, you may have wondered what happens if the settings overlap: for instance, suppose you set the Recording Timer to record a broadcast from 1 am to 1:30 am, and then you set the sleep timer at midnight to run until 2 am. Will you still get your radio program recorded? Here are the priorities for each timer:

- The Recording Timer always has priority. This means that:
 - If another timer is set to come on during a time the Recording Timer is operating, the other timer just won't come on at all, so you will always get the entire program on tape.
 - If the Recording Timer is set to come on while another timer is being activated, the other timer will shut off 10 seconds before the Recording Timer is set to turn on, and the Recording Timer will then take over.
- The SLEEP Timer has priority over the DAILY Timer. This is important because if you set the SLEEP Timer to start before and then end after the DAILY Timer would start, the DAILY Timer doesn't come on. So if you want your alarm to go off as scheduled, be sure the SLEEP Timer shuts off before the DAILY Timer is to turn on the Unit.

Turning Off the CA-S200 Automatically

When playing either a tape or a CD, Auto Power Off will shut the Unit off when the tape or CD comes to the end. Although Auto Power Off is very useful for shutting off the CA-S200 at night, you can also use it if you think you might forget to turn the Unit off when leaving the house or your room at other times of the day.

To use Auto Power Off:

Press AUTO POWER OFF so that "AUTO POWER OFF" lights up on the display.

To cancel Auto Power Off:

Press AUTO POWER OFF again so that "AUTO POWER OFF" disappears on the display.

Important information on using Auto Power Off

- If you press AUTO POWER OFF while the CD is playing in repeat mode ("REPEAT" or "REPEAT 1" lights on the display), repeat mode will be cancelled and Auto Power Off will be able to work even though "REPEAT" or "REPEAT 1" remains lit on the display.

⚠ If you press REPEAT to set the CD player in repeat mode while Auto Power Off is on ("AUTO POWER OFF" lights on the display), Auto Power Off will be cancelled even though "AUTO POWER OFF" remains lit on the display, and REPEAT 1 will not work.

- If you press AUTO POWER OFF while the tape is playing:
 - If Reverse Mode is off (the REVERSE MODE indicator is not lit), the Unit turns off when the current playing side finishes.
 - If Reverse Mode is on (the REVERSE MODE indicator lights up), the Unit plays the side currently playing, reverses and plays the other side, then shuts off.

Auto Power Off: turns off your CA-S200 automatically



How to Use the Remote Control

The Remote Control makes it easy to control many of the functions of the CA-S200 from a distance of up to 6 m away. You need to point the remote sensor at the CA-S200 front panel.

- Most of the buttons on the Remote Control do just what the ones on the CA-S200 do.
- A few functions are available only by using the Remote Control, and those are described below.
- The buttons whose names or marks are printed in blue can be used for the One Touch Operation.

Using the 10 Key Pad

The 10 key pad is used to specify a CD track or the number you have assigned to a preset radio station. To enter a number using the 10 key pad follow these steps:

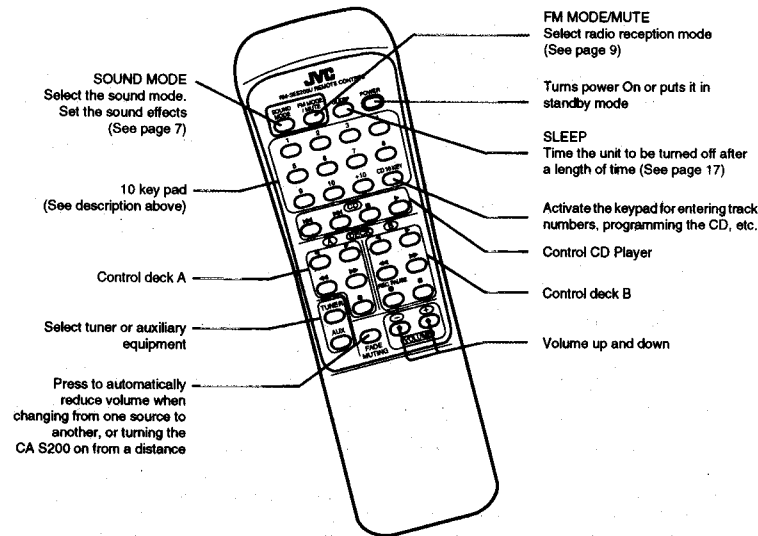
- Before using the 10 key pad, make sure which the 10 key pad functions for, the CD player or tuner. This is depends on which button on the Remote you have pressed before the 10 key pad. For example, if you press TUNER before 10 key pad, it can select a preset station.
- For numbers between 1 and 10, just press the button with the number you want.
- For numbers from 11 to 20, first press the +10 key, then the single digit numbers you want on the key pad — to get 15, first press +10, then 5. For 20 press +10 and 10.
- For numbers from 21 to 30, press the +10 key twice; then press the single digit numbers on the key pad — to get 25, press +10 +10 and 5. For 30, press +10 +10 and 10.
- For numbers from 31 to 40, follow the same procedure, only press the +10 key three times, then press the single digit numbers on the key pad — to get 32, press +10 +10 +10 and 2.

Using the FM MODE/MUTE Key Pad

When an FM stereo broadcast is difficult to receive or noisy. Functions/steps are available on page 9.

Using the SLEEP Key Pad

The SLEEP function will turn the unit off after a certain time, while you are asleep. With the unit on, press SLEEP. SLEEP will blink. Select the appropriate minutes — 10, 20, 30, 60, 90, 120 to turn the unit off.



Care and Maintenance—General Notes

Compact Discs

Handle your compact discs, cassette tapes, and tape deck carefully, and they will last a long time.



- Remove the CD from the case by holding it at the edges while pressing the center hole lightly.
- Do not touch the shiny surface of the CD, or bend the CD.



- Place the CD into the open tray with the label facing up.



- Put the CD back in its case after use to prevent warping.
- Be careful not to scratch the surface of the CD when placing it back in the case.
- Avoid exposure to direct sunlight, temperature extremes, and moisture.



- A dirty CD may not play correctly. If a CD does become dirty, wipe it with a soft cloth in a straight line from center to edge.

CAUTION: Do not use any solvent (for example, conventional record cleaner, spray, thinner, benzene, etc.) to clean a CD.

On Moisture Condensation



Moisture may condense on the lens inside the unit in the following cases:

- After starting the heating in the room.
- In a damp room.
- If the unit is brought directly from a cold to a warm place.

Should this occur, the unit may malfunction. In this case, leave the unit turned on for a few hours until the moisture evaporates, unplug the AC power cord, and then plug it in again.

In general, you will have the best performance by keeping your tapes, CDs, and the mechanism clean.

- Store tapes and CDs in their cases, and keep them in cabinets or on shelves.
- Keep the tape deck tape carriers and the CD tray closed when not in use.

Cassette Tapes



- If the tape is loose in its cassette, take up the slack by inserting a pencil in one of the reels and rotating.
- If the tape is loose, it may get stretched, cut, or caught in the cassette.



- Do not touch the tape surface.

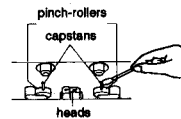


- Do not store the tape:
 - In dusty places
 - In direct sunlight or heat
 - In moist areas
 - On a TV or speaker
 - Near a magnet

Tape Deck

- If the heads, capstans, and pinch-rollers of the tape deck become dirty, the following will occur:
 - Impaired sound quality
 - Discontinuous sound
 - Fading
 - Incomplete erasure
 - Difficulty recording

- Clean the heads, capstans, and pinch-rollers using a cotton swab moistened with alcohol.



- If the heads become magnetized, it will produce noise or lose high frequencies.
- To demagnetize the heads, turn off the Unit, and use a head demagnetizer (available at electronics and record shops).

Troubleshooting

- If you are having a problem with your CA-S200, check this list for a possible solution before calling for service.
- If you cannot solve the problem from the hints given here, or the Unit has been physically damaged, call a qualified person, such as your dealer, for service.

SYMPTOM	POSSIBLE CAUSE	ACTION
No sound is heard.	Connections are incorrect, or loose.	Check all connections and make corrections. (See pages 5 and 6.)
Impossible to record.	Cassette record protect tabs are removed.	Cover holes on back edge of cassette with tape.
Hard to listen to broadcasts because of noise.	The antenna is disconnected. The loop antenna is too close to the system. The feeder/wire antenna is not properly extended and positioned.	Re-connect the antenna securely. Change the position and direction of the loop antenna. Extend feeder/wire antenna at the best reception position.
The CD sound is discontinuous.	The CD is scratched or dirty.	Clean or replace the CD.
Unable to operate the Remote.	The path between the Remote and the sensor on the Unit is blocked. The batteries are discharged.	Remove the obstruction. Replace the batteries.
The CD tray cannot be operated.	The main AC power cord is not plugged in.	Plug in the AC power plug.
The CD does not play.	The CD is upside down.	Put the CD in with the label side up.
Operations are disabled.	The built-in microprocessor may malfunction due to external electrical interference.	Unplug the system then plug it back in.
The cassette carrier cannot be opened.	During tape playing, the power cord is unplugged.	Plug in the power cord and press eject.

Specifications

Amplifier

Output Power

25 watts per channel, min. RMS, both channels driven, into 6 ohms at 60 Hz to 20 kHz with no more than 0.9% total harmonic distortion.

Input Sensitivity/Impedance (1 kHz)
AUX 300 mV/50 kohms

Speaker terminals
Main speakers 6 - 16 ohms

Tape deck
Frequency response
Type I (Normal): 30 - 15,000 kHz
Type II (CrO₂): 30 - 16,000 kHz

Wow and Flutter 0.09% (WRMS) (0.2% DIN)

Tuner
FM Tuner
Tuning Range 87.5 - 108.0 MHz
Usable Sensitivity 0.95 μ V/75 ohms (10.8 dBf)
Signal-to-Noise Ratio (IHF-A weighted) MONO (at 85 dBf) 80 dB
STEREO (at 85 dBf) 73 dB

AM Tuner
Tuning Range 530 - 1,710 kHz

Compact Disc Player
Dynamic Range (1 kHz) 90 dB
Signal-to-Noise Ratio 95 dB
Wow and Flutter Unmeasurable

General
Power Requirements AC 120 V \sim , 60 Hz
Power Consumption 110 Watts (at operation)
13 Watts (at standby mode)
Dimensions (Approx.) 245 x 270 x 302 mm (W/H/D)
(9 $\frac{3}{4}$ x 10 $\frac{3}{4}$ x 11 $\frac{13}{16}$ in.)
Mass (Approx.) 6.8 kg (15 lbs)

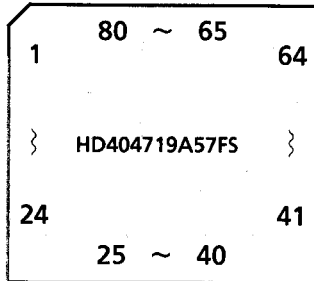
Supplied Accessories
FM feeder antenna (1)
AM loop antenna (1)
Remote control (RM-SES200U) (1)
Batteries R6P(SUM-3)/AA(15F) (2)
Antenna adaptor (1)

Design and specifications subject to change without notice.

Description of Major ICs

■ HD404719A57FS (IC901) : Deck controller

1. Terminal Layout

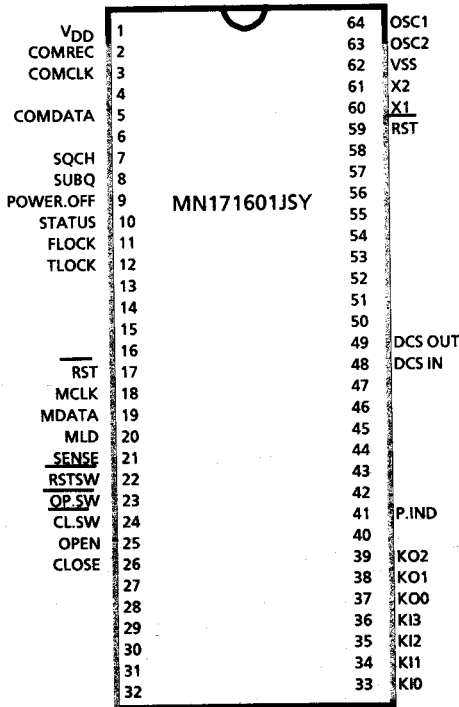


2. Terminal Functions

Pin No.	Symbol	I/O	Function	Pin No.	Symbol	I/O	Function
1	IN12	I	Leaf switch voltage	41	BFR	O	Reel motor control signal (forward)
2	IN11	I	Leaf switch voltage	42	BRR	O	Reel motor control signal (reverse)
3	PRT	I	Input from protector circuit	43	BRC	O	Cam motor control signal (counterclockwise)
4	AD GND	---	Ground for A/D converter	44	BFC	O	Cam motor control signal (clockwise)
5	RESET	I	Reset in	45	AFR	O	Reel motor control signal (forward)
6	OSC1	---	Oscillation terminal	46	ARR	O	Reel motor control signal (reverse)
7	OSC2	---	Oscillation terminal	47	ARC	O	Cam motor control signal (counterclockwise)
8	LG	---	GND	48	AFC	O	Cam motor control signal (clockwise)
9	---	---	GND	49	---	---	Connected to GND
10	---	---	Not use	50	ACS2	I	Input of mechanism information (deck A)
11	TEST	---	Connected to +5V	51	ACS1	I	Input of mechanism information (deck A)
12	VCC	---	+5V	52	ACS0	I	Input of mechanism information (deck A)
13	CLASSIC	I	CLASSIC Indication signal	53	BCS2	I	Input of mechanism information (deck B)
14	ECHO1	O	Drive signal for the capstan motor(A)	54	BCS1	I	Input of mechanism information (deck B)
15	ECHO2	O	Fade recording control	55	BCS0	I	Input of mechanism information (deck B)
16	POPS	O	POPS Indication signal	56	FADE	O	FADE recording control
17	D.CLUB	O	D.CLUB Indication signal	57	JOG 2	O	JOG pulse to input 2
18	CAP	O	Drive signal for the capstan motor (B)	58	JOG 1	O	JOG pulse to input 1
19	HALL	O	HALL Indication signal	59	DCS IN	I	Compulink signal input
20	C.BASS	O	C.BASS Indication signal	60	DCS OUT	O	Compulink signal output
21	APLS	I	input of reel pulse (Deck A)	61	RMIN	I	Input from remote signal detector
22	BPLS	I	Input of reel pulse (Deck B)	62	P.IND	O	P.IND Indication signal
23	RMT	O	Recording mute control	63	SPDATA	O	Data output to IC803
24	NR OUT	O	Noise reduction control	64	BIAS	O	Bias circuit control (ON/OFF)
25	NR REC	O	Mode control of NR (REC/PLAY)	65	LATCH	I	Strobe signal from IC402
26	AMC	O	Speed control signal for deck A	66	CLK	O	Clock output to IC403 (Tone selector)
27	BMC	O	Speed control signal for deck B	67	STB	O	Strobe output to IC403 (Tone selector)
28	STADIUM	O	STADIAM Indication signal	68	DATA	O	Data output to IC403 (Tone selector)
29	AIB	O	A/B DECK change control signal	69	POWER	O	Power control (Power on/off)
30	MSI	O	Music scan input	70	SPK	O	Speaker relay control
31	PBMT	O	Play back mute	71	VOL DOWN	O	Master volume control
32	ROCK	O	ROCK Indication signal	72	VOL UP	O	Master volume control
33	AFI	O	A mecha forward Indication signal	73	S.MUTE	O	Source mute output
34	ARI	O	A mecha reverse Indication signal	74	HP.IN	O	Head phon detection
35	BFI	O	B mecha forward Indication signal	75	AD VCC	---	+5V
36	BRI	O	B mecha reverse Indication signal	76	IN 7	I	AMP switch voltage
37	DOL 1	O	Dolby Indication signal	77	IN 6	I	AMP switch voltage
38	REC 1	O	REC Indication signal	78	IN 5	I	DECK switch voltage
39	REV 1	O	REV Indication signal	79	IN 4	I	DECK switch voltage
40	SEA OFF	O	SEA OFF Indication signal	80	IN 3	I	DECK switch voltage

■ MN171601JSY(IC951) : System Controller

1. Terminal Layout



2. Key Matrix

	KEY IN0 (pin2)	KEY IN1 (pin3)	KEY IN2 (pin4)	KEY IN3 (pin5)
KEY OUT 0 (pin6)	REPEAT	OPEN/ CLOSE	CD	STOP/ CLEAR
KEY OUT 1 (pin7)	RANDOM	⏪	A/B	PLAY
KEY OUT 2 (pin8)	PROGRAM	⏩	AUTO EDIT	VIDEO

3. Terminal Description

Pin	symbol	I/O	Function and Operations	Pin	symbol	I/O	Function and Operations
1	VDD	--	Power supply	33	KI0	I	Key matrix input
2	COMREC	O	Request output to IC801	34	KI1	I	Key matrix input
3	COMCLK	I	Request output from IC801	35	KI2	I	Key matrix input
4		--	Connected to GND	36	KI3	I	Key matrix input
5	COMDATA	I	DATA output output from IC801	37	KO0	O	Key matrix output
6		--	Connected to GND	38	KO1	O	Key matrix output
7	SQCK	O	Clock output for Q-resistor	39	KO2	O	Key matrix output
8	SUBQ	I	Input Q-data of subcode	40		--	Connected to GND
9	POWER OFF	O	Power on 'L' Power on 'H'	41	P.IND	I	Power indication signal
10	STATUS	I	STATAS signal input	42		--	Connected to GND
11	FLOCK	I	Lock signal for Focus	43		--	Connected to GND
12	TLOCK	I	Lock signal for Tracking	44		--	Connected to GND
13		--	Connected to GND	45		--	Connected to GND
14		--	Connected to GND	46		--	Connected to GND
15		--	Connected to GND	47		--	Connected to GND
16		--	Connected to GND	48	DCS IN	I	DCS signal input
17	RST	O	Reset signal output	49	DCS OUT	O	DCS signal output
18	MCLK	O	μ-com command clock signal output	50		--	Connected to GND
19	MDATA	O	μ-com command data signal output	51		--	Connected to GND
20	MLD	O	μ-com command load signal output	52		--	Connected to GND
21	SENSE	I	Sence signal input	53		--	Connected to GND
22	RSTSW	I	Rest sw on 'L'	54		--	Connected to GND
23	OPSW	I	Tray open 'L'	55		--	Connected to GND
24	CLSW	I	Tray close 'L'	56		--	Connected to GND
25	OPEN	O	Tray open 'H'	57		--	Connected to GND
26	CLOSE	O	Tray close 'H'	58		--	Connected to GND
27		--	Connected to GND	59	RST	O	Tuner muting control
28		--	Connected to GND	60	X1	--	Connected to GND
29		--	Connected to GND	61	X2	--	Non connection
30		--	Connected to GND	62	VSS	--	GND
31		--	Connected to GND	63	OSC2	O	Clock oscillation output
32		--	Connected to GND	64	OSC1	--	Clock oscillation input

■ MN172412J5F (IC801) : Tuner controller /FL Driver

1. Terminal Layout

VDD	1	64	OSC1
S16	2	63	OSC2
S15	3	62	GND
S14	4	61	X2
S13	5	60	X1
S12	6	59	CS-3
S11	7	58	CS-2
S10	8	57	CS-1
S9	9	56	CS-0
S8	10	55	TEST
S7	11	54	FOUT
S6	12	53	DCSO
S5	13	52	DCS1
S4	14	51	TUMUTE
S3	15	50	CE
S2	16	49	CLK
S1	17	48	DOUT
Vdd	18	47	DI
G1	19	46	TUNED
G2	20	45	STEREO
G3	21	44	INH IN
G4	22	43	RESET
G5	23	42	Com REC
G6	24	41	Com DATA
G7	25	40	Com CLK
G8	26	39	K4-I
G9	27	38	K3-I
G10	28	37	K2-I
G11	29	36	K1-I
G12	30	35	K4-O
G13	31	34	K3-O
K01	32	33	K1-I

2. Key Matrix

	KEY IN1 (pin36)	KEY IN2 (pin37)	KEY IN3 (pin38)
KEY OUT 1 (pin32)	AM	FM MODE / MUTE	
KEY OUT 2 (pin33)	FM	PRESET UP	PRESET DOWN
KEY OUT 3 (pin34)	SOURCE	MINUTE	HOUR
KEY OUT 4 (pin35)	REC	DAILY	CLOCK

3. Terminal Description

Pin	symbol	I/O	Function and Operations	Pin	symbol	I/O	Function and Operations
1	VDD	--	Power supply	33	K1 I	I	Key matrix input
2	S16	O	FL segment control output	34	K1 I	I	Key matrix input
3	S15	O	FL segment control output	35	K3 O	O	Key matrix out
4	S14	O	FL segment control output	36	K4 O	O	Key matrix out
5	S13	O	FL segment control output	37	K2 I	I	Key matrix input
6	S12	O	FL segment control output	38	K3 I	I	Key matrix input
7	S11	O	FL segment control output	39	K4 I	I	Key matrix input
8	S10	O	FL segment control output	40	Com CLK	O	Request output (to IC951)
9	S9	O	FL segment control output	41	Com DATA	O	Data output (from IC951)
10	S8	O	FL segment control output	42	Com REC	I	Request input (from IC951)
11	S7	O	FL segment control output	43	RESET	I	Reset signal input
12	S6	O	FL segment control output	44	INH IN	I	Inhibit signal input
13	S5	O	FL segment control output	45	STEREO	I	Stereo indication signal input
14	S4	O	FL segment control output	46	TUNED	I	Tuned indication signal input
15	S3	O	FL segment control output	47	D IN	I	Data input from IC121
16	S2	O	FL segment control output	48	D OUT	O	Data output to IC121
17	S1	O	FL segment control output	49	T CLK	O	Clock output to IC121
18	Vdd	--	Power supply for FL Display	50	T CE	O	Strobe output to IC121
19	G1	O	FL grid control output (Key matrix out2)	51	TUMUTE	I	Tuner muting control
20	G2	O	FL grid control output (Key matrix out3)	52	DCSIN	I	DCS signal input
21	G3	O	FL grid control output (Key matrix out4)	53	DCSOUT	O	DCS signal output
22	G4	O	FL grid control output (Key matrix out4)	54	FOUT	O	Frequency test point
23	G5	O	FL grid control output (Key matrix out4)	55	TEST	O	Test mode at 'L'
24	G6	O	FL grid control output (Key matrix out4)	56	CS 0	I	Chip select signal input
25	G7	O	FL grid control output (Key matrix out4)	57	CS 1	I	Chip select signal input
26	G8	O	FL grid control output (Key matrix out4)	58	CS 2	I	Chip select signal input
27	G9	O	FL grid control output (Key matrix out4)	59	CS 3	I	Chip select signal input
28	G10	O	FL grid control output (Key matrix out4)	60	X1	--	Connected to GND
29	G11	O	FL grid control output (Key matrix out4)	61	X2	--	Non connection
30	G12	O	FL grid control output (Key matrix out4)	62	GND	--	GND
31	G13	O	FL grid control output (Key matrix out4)	63	OSC2	--	Clock oscillation input
32	K0 I	I	Key matrix input	64	OSC1	--	Clock oscillation output

■ HA12171NT (IC304) : DOLBY NR&RECORD EQUALIZER

1. Outline

- Dolby B type NR
- Recoed equalizer
- Interval detection

2. Terminal Layout

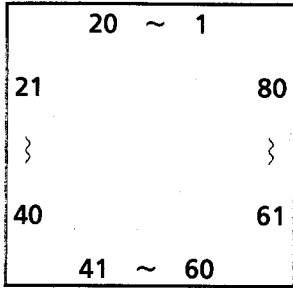
GND	1	56	GND
AIN(R)	2	55	AIN(L)
BIN(R)	3	54	BIN(L)
ABO(R)	4	53	ABO(L)
CIN(R)	5	52	CIN(L)
RIN(R)	6	51	RIN(L)
BIAS	7	50	RIP
PBOUT(R)	8	49	PBOUT(L)
DET(R)	9	48	DET(L)
RECOUT(R)	10	47	RECOUT(L)
EQIN(R)	11	46	EQIN(L)
BOOST(R)	12	45	BOOST(L)
EQOUT(R)	13	44	EQOUT(L)
PB A/B	14	43	BIAS(N)
A 120/70	15	42	BIAS(C)
PAS/DOL	16	41	BIAS(M)
NORM/HIGH	17	40	BIASOUT
B 120/70	18	39	VREF
CROM/METAL	19	38	NOI
BIAS ON/OFF	20	37	FFI
RM ON/OFF	21	36	MS-GND
NR ON/OFF	22	35	MAOUT
MS GAIN R/S	23	34	MSIN
REC/PB	24	33	MSDET
LM ON/OFF	25	32	MS-VCC
IREF	26	31	MSOUT
GPCAL	27	30	D-GND
RECCAL	28	29	VCC

3. Terminal Description

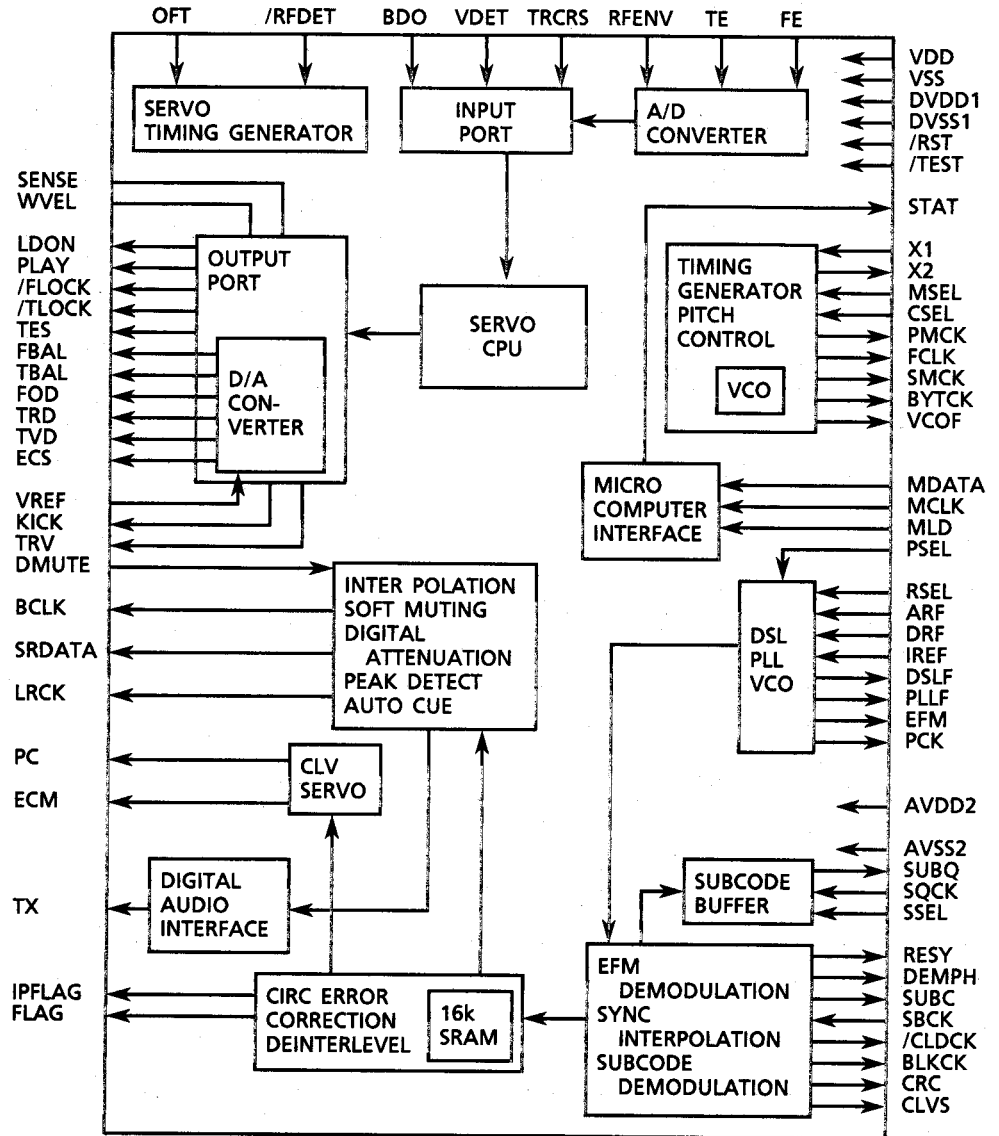
Pin No	Symbol	I/O	Function	Pin No	Symbol	I/O	Function
1	GND	--	Ground	29	VCC	--	Power supply
2	AIN(R)	I	Deck A playback input (Rch)	30	D-GND	--	Digital GND
3	BIN(R)	I	Deck B playback input (Rch)	31	MSOUT	O	Blunk scanning signal output
4	ABO(R)	O	Playback buffer out (Rch)	32	MS-VCC	--	Power supply
5	CIN(R)	I	70μ Buffer input (Rch)	33	MSDET	I	Time constancew setting for music scan
6	RIN(R)	I	Recording input(Rch)	34	MSIN	I	Input for music scan
7	BIAS	I	Connected to GND	35	MAOUT	O	Buffer AMP for music scan
8	PBOUT(R)	O	Playback output (Rch)	36	MS-GND	--	GND
9	DET (R)	I	NR time constance (Rch)	37	FFI	I	Feedback input for MS(FF,REW)
10	RECOUT(R)	O	Recording output (Rch)	38	NOI	I	Feedback input for MS
11	EQIN(R)	I	Input for recording equalizer (Rch)	39	VREF	--	Refference for music scan
12	BOOST(R)	I	Time constance for low boost (Rch)	40	BIASOUT	O	Recording bias control
13	EQOUT(R)	O	Equalizer output (Rch)	41	BIAS(M)	I	Bias current input for metal tape
14	PB A/B	I	Deck A/B select	42	BIAS(C)	I	Bias current input for CrO2 tape
15	A 120/70	I	Deck A playback EQ select	43	BIAS(N)	I	Bias current input for normal tape
16	PASS/DOL	I	Dolby signal path select(Through/pass)	44	EQOUT(L)	O	Equalizer output (Lch)
17	NORM/HIGH	I	Dubbing mode select	45	BOOST(L)	I	Time constance for low boost (Lch)
18	B 120/70	I	Deck B playback EQ select	46	EQIN(L)	I	Input for recording equalizer (Lch)
19	CROM/METAL	I	Tape select	47	RECOUT(L)	O	/Recording output (Lch)
20	BIAS ON/OFF	I	Bias ON/OFF control	48	DET(L)	I	NR time constance (Lch)
21	RM ON/OFF	I	Recording mute ON/OFF control	49	PBOUT(L)	O	Playback output(Lch)
22	NR ON/OFF	I	NR ON/OFF control	50	RIP	I	Ripple filter
23	MS GAIN R/S	I	Gain for music scan control	51	RIN(L)	I	Recording input (Lch)
24	REC/PB	I	Recording/Playback control	52	CIN(L)	--	70μ buffer input (Lch)
25	LM ON/OFF	I	Playback mute ON/OFF control	53	ABO(L)	O	Playback buffer out (Lch)
26	IREF	I	Reference current input	54	BIN(L)	I	Deck B playback input (Lch)
27	GPCAL	I	GP calibration	55	AIN(L)	I	Deck A playback input (Lch)
28	RECCAL	I	Recording gain calibration	56	GND	--	GND

■ MN662721RAM (IC605) : DIGITAL SERVO & DIGITAL SIGNAL PROCESSER

1. Terminal Layout



2. Block Diagram



3. Description

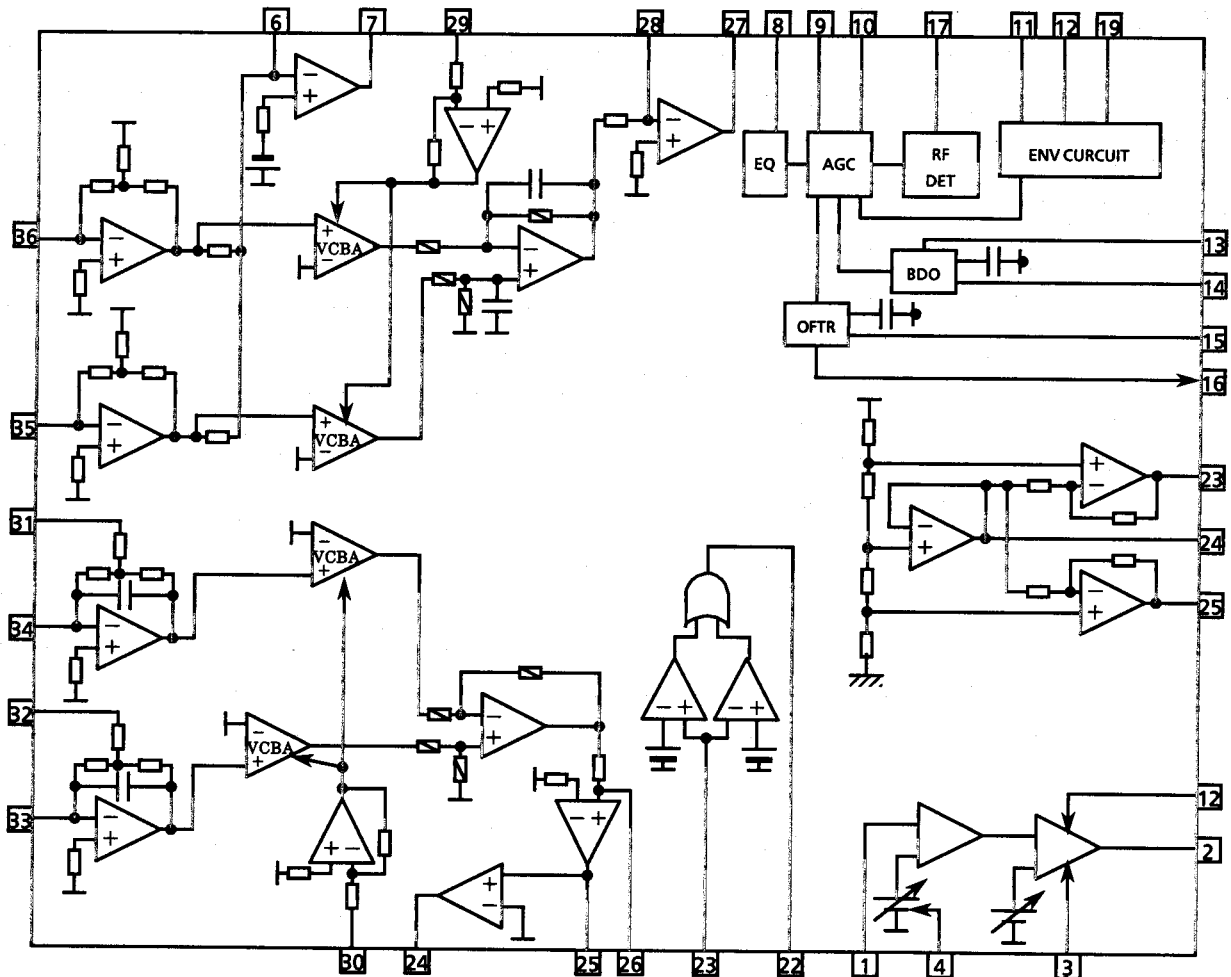
Pin No.	symbol	I/O	Description	Pin No.	symbol	I/O	Description
1	BCLK	O	Bit clock output pin for SRDATA	41	TES	—	Not used
2	LRCK	O	L/R distinction signal	42	PLAY	—	"
3	SRDATA	O	Serial data output	43	WVEL	—	"
4	DVDD1	—	Power supply	44	ARF	I	RF signal input
5	DVSS1	—	Connected to GND	45	IREF	I	Reference current input pin
6	TX	O	Digital audio interface signal	46	DRF	I	Bias adjustment pin for DSL
7	MCLK	I	μ-com command clock signal input	47	DSLFL	I/O	Loop filter pin for DSL
8	MDATA	I	μ-com command data input	48	PLLFL	I/O	Loop filter pin for PLL
9	MLD	I	μ-com command load signal input	49	VCOF	—	Not used
10	SENSE	O	Sense signal output	50	AVDD2	—	Power supply
11	FLOCK	O	Lock signal for Tracking	51	AVSS2	—	Connected to GND
12	TLOCK	O	Lock signal for Focus	52	EFM	—	Not used
13	BLKCK	—	Not used	53	PCK	—	"
14	SQCK	I	Clock for sub-code Q resister	54	PDO	—	"
15	SUBQ	O	Sub-code Q-code output	55	SUBC	—	"
16	DMUTE	I	Muting input (H : MUTE)	56	SBCK	—	Connected to GND
17	STATUS	O	Status signal	57	VSS	—	"
18	/RST	I	Reset signal input (L:Reset)	58	X1	I	Input of 16.9344MHz X'tal oscillation circuit
19	SMCK	—	Not used	59	X2	—	Not used
20	PMCK	—	Not used	60	VDD	—	Power supply
21	TRV	O	Traverse enforced output	61	BYTCK	—	Not used
22	TVD	O	Traverse drive output	62	CLDCK	—	"
23	PC	—	Not used	63	FCLK	—	"
24	ECM	O	Spindle motor drive signal (Enforced output) 3-State	64	IPPLAG	—	"
25	ECS	O	Spindle motor drive signal (Servo signal)	65	FLAG	—	"
26	KICK	O	Kick pulse output	66	CLVS	—	"
27	TRD	O	Tracking drive output	67	CRC	—	"
28	FOD	O	Focus drive output	68	DEMPH	O	De-emphasis ON signal (H : ON)
29	VREF	I	Reference voltage input pin	69	RESY	—	Not used
30	FBAL	O	Focus Balance adjust signal output	70	RST 2	—	Connected to GND
31	TBAL	O	Tracking Balance adjust signal output	71	/TEST	—	Pull up (+5V)
32	FE	I	Focus error signal input	72	AVDD1	—	Power supply
33	TE	I	Tracking error signal input	73	OUT L	—	Not used
34	RF ENV	I	RF envelope signal input	74	AVSS1	—	Connected to GND
35	VDET	I	Vibration detect signal input	75	OUT R	—	Not used
36	OFT	I	Off track signal input	76	RSEL	—	Pull up (+5V)
37	TRCRS	I	Track cross signal input	77	CSEL	—	Connected to GND
38	/RFDET	I	RF detect signal input	78	PSEL	—	"
39	BDO	I	BDO input pin	79	MSEL	—	"
40	LDON	O	Laser ON signal output	80	SSEL	—	Pull up (+5V)

■ AN8806SB (IC600) : RF & SERVO AMP

1. Terminal Layout

PD	1	36 PDAC
LD	2	35 PDBD
LDON	3	34 PDE
LDP	4	33 PDF
VCC	5	32 PDER
RF-	6	31 PDFR
RF OUT	7	30 TBAL
RF IN	8	29 FBAL
C.AGC	9	28 FE-
ARF	10	27 FE OUT
C.ENV	11	26 TE-
C.EA	12	25 TE OUT
CS BDO	13	24 CROSS
BDO	14	23 TE BPF
CS BRT	15	22 VDET
OFTR	16	21 LD OFF
/NRFDET	17	20 VREF
GND	18	19 ENV

2. Block Diagram



3. Description

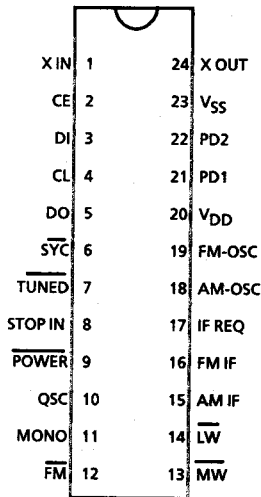
Pin No.	Symbol	I/O	Description
1	PD	--	Connected to GND
2	LD	--	Non connection
3	LD ON	--	Connected to GND
4	LDP	--	Connected to GND
5	VCC	--	Power supply
6	RF-	I	Inverse input pin for RF amp
7	RF OUT	O	RF amp output pin
8	RF IN	I	AGC input pin
9	C.AGC	I/O	Connecting pin of AGC loop filter
10	ARF	O	AGC output pin
11	C.ENV	I/O	A capacitor is connected to this terminal to detect the envelope of RF signal
12	C.EA	I/O	A capacitor is connected to this terminal to detect the envelope of RF signal
13	CS BDO	I/O	A capacitor is connected to detect the lower envelope of the RF signal
14	BDO	O	BDO output pin
15	CS BRT	I/O	A capacitor is connected to detect the lower envelope of the RF signal
16	OFTR	O	Of-track status signal output pin
17	/NRFDET	O	RF detection signal output pin
18	GND	--	GND
19	ENV	O	Envelope output
20	VREF	O	Reference voltage output pin
21	LD OFF	--	Connect to GND
22	VDET	O	Vibration detection signal output pin
23	TE BPF	I	Input pin of tracking error through BPF
24	CROSS	O	Tracking error cross output pin
25	TE OUT	O	Tracking error signal output pin
26	TE-	I	Inverse input pin for tracking error amp
27	FE OUT	O	Output pin of focus error
28	FE-	I	Inverse input pin for focus error amp
29	FBAL	I	Focus balance control pin
30	TBAL	I	Tracking balance control pin
31	PDFR	I/O	E and E I-V amp gain control pin
32	PDER	I/O	F and E I-V amp gain control pin
33	PDF	I	I-V amp input pin
34	PDE	I	I-V amp input pin
35	PD BD	I	I-V amp input pin
36	PD AC	I	I-V amp input pin

■ LC7218JM (IC121) : PLL Synthesizer

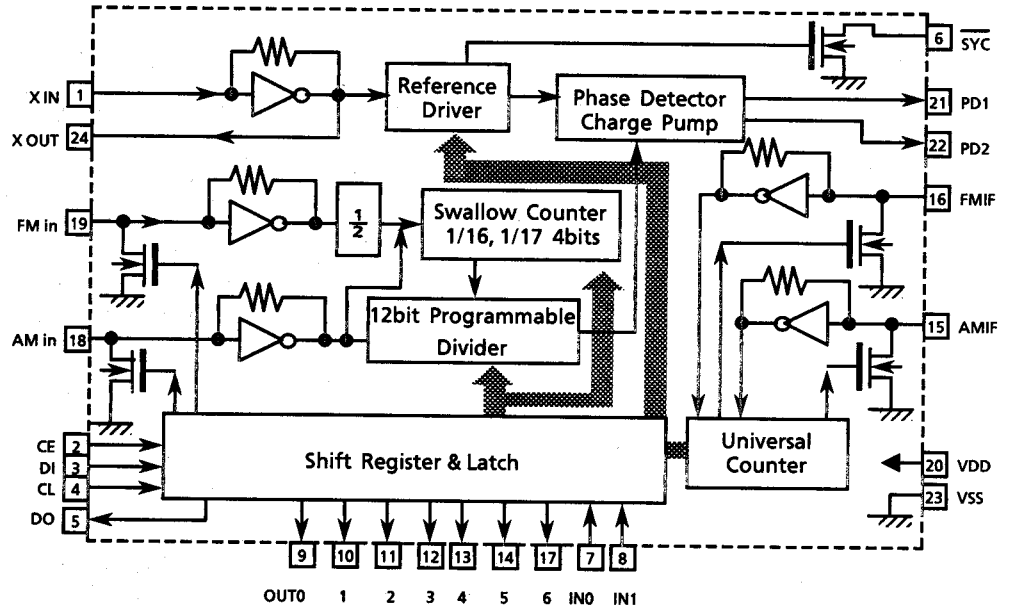
1. The main function descriptions

- (1) It makes the local oscillation frequency by the control data from IC901.
- (2) Decode the control signal and transmit the signal for receiving conditions.
- (3) For the best tuning, count the internal-frequency and transmit the data to IC901.

2. Terminal Layout



3. Block Diagram

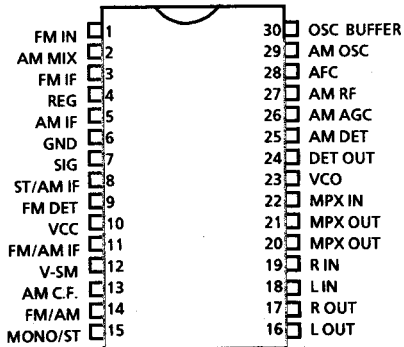


4. Pin Functions

Pin No.	Symbol	I/O	Functions
1,24	X in , X out	I/O	Crystal oscillator (7.2MHz).
2	CE	I	Fix the chip enable to "H" when inputting (DI) and outputting (DO) the serial data.
3	DI	I	Receive the control data from the controller (IC801).
4	CL	I	This clock is used to synchronize data when transmitting the data of DI and DO.
5	DO	O	Transmit the data from LC7218 to the controller which is synchronized with CL.
6	SYNC	—	Not used.
7	TUNED	I	Receive the tuned signal from IC104 (LA1266A).
8	STOP IN	—	Connected to GND
9	POWER	—	Not used.
10	QSC	—	Not used.
11	MONO	O	It is "H" on FM-monaural, "L" on FM-Stereo.
12	FM	O	It is "L" on FM mode.
13	MW	O	It is "L" on MW mode.
14	LW	O	It is "L" on LW mode.
15	AM-IF	I	Universal counter input for AM-IF from IC104 (LA1266A).
16	FM-IF	I	Universal counter input for FM-IF from IC104(LA1266A).
17	IF REQ	O	Output the "IF-signal request" to IC104 when the pin-7 (tuned in) goes to "H".
18	AM OSC	I	Input the local oscillator signal of AM.
19	FM OSC	I	Input the local oscillator signal of FM.
20	V _{DD}	—	This is a terminal of power supply.
21	PD1	O	PLL charge pump output : When the local oscillator signal frequency is higher than the reference frequency high level signals will output. When it is lower than the reference frequency, low level signals will output. When it is same as reference frequency signals, it will be floating.
22	PD2	—	Not used.
23	V _{SS}	—	Connected to GND

LA1836M (IC102) : FM AM IF AMP & detector

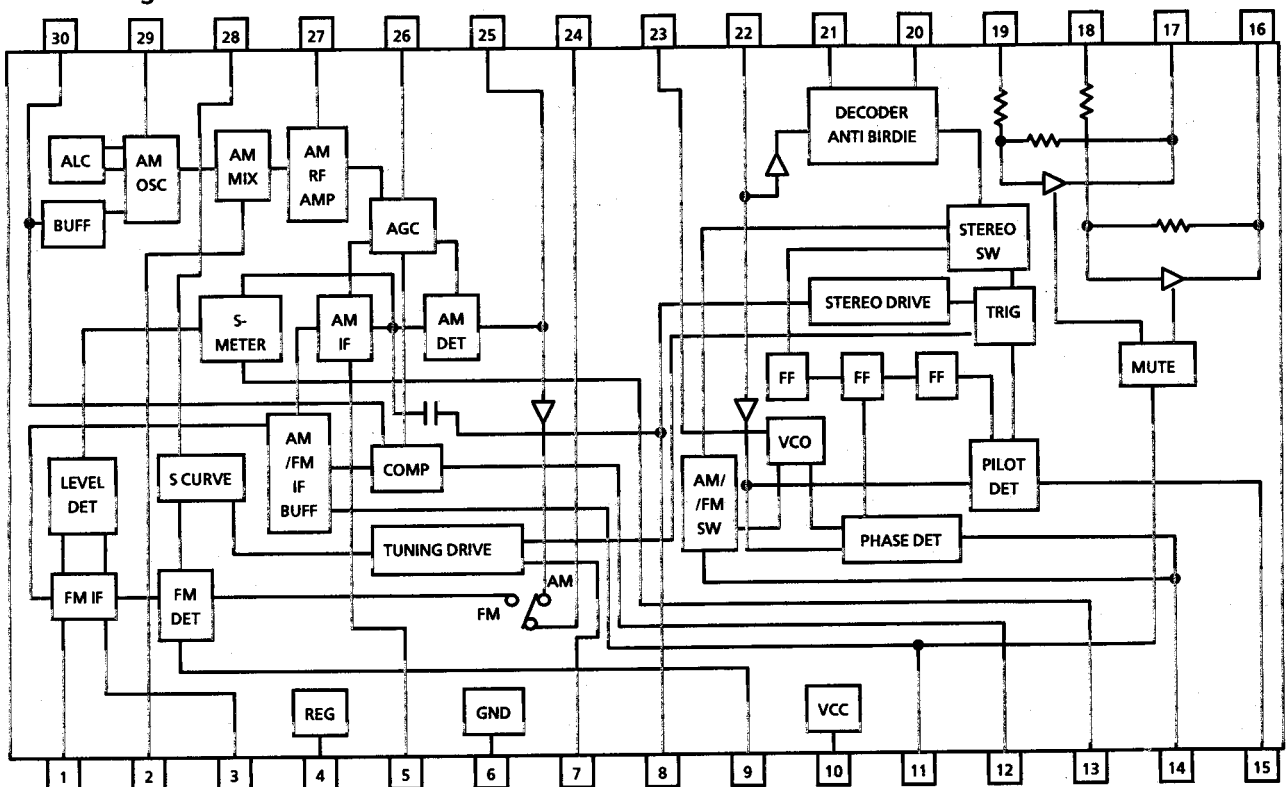
1. Terminal Layout



3. Pin Function

Pin No.	Symbol	I/O	Function
1	FM IN	I	This is an input terminal of FM IF Signal.
2	AM MIX	O	This is an output terminal for AM mixer.
3	FM IF	I	Bypass of FM IF
4	REG	-	Register value between pin4 and pin28 desides the frequency width of the input signal.
5	AM IF	I	Input of AM IF Signal.
6	GND	-	This is the device ground terminal.
7	SIG	O	When the set is tunning ,this terminal becomes "L".
8	ST/AM IF	O	Stereo indicator output. Stereo : "L", Mono : "H"
9	FM DET	-	FM detect transformer.
10	VCC	-	This is the power supply terminal.
11	FM/AM IF	O	When the signal of IF REQ of IC121(LC7218) appear, the signal of FM/AM IF output.
12	VSM	O	S Meter output and adjust AM SD sensitivity.
13	AM C.F.	I	This is a terminal of AM ceramic filter.
14	FM/AM	I	Change over the FM / AM input. "H" : FM, "L" : AM
15	MONO/ST	O	Stereo : "H", Mono : "L"
16	L OUT	O	Left channel signal output.
17	R OUT	O	Right channel signal output
18	L IN	I	Input terminal of the Left channel post AMP.
19	R IN	I	Input terminal of the Right channel post AMP.
20	MPX L OUT	O	Mpx Left channel signal output.
21	MPX R OUT	O	Mpx Right channel signal output.
22	MPX IN	I	Mpx input terminal.
23	VCO	I	Voltage controlled oscillator terminal.
24	DET OUT	O	AM/FM detection output.
25	AM DET	-	AM low cut adjustment.
26	AM AGC	I	This is an AGC voltage input terminal for AM.
27	AM RF	I	This is an input terminal for AM RF signal.
28	AFC	-	This is an output terminal of voltage for FM-AFC.
29	AM OSC	-	This is a terminal of AM Local oscillation circuit.
30	OSC BUFFER	O	AM Local oscillation Signal output.

2. Block Diagram

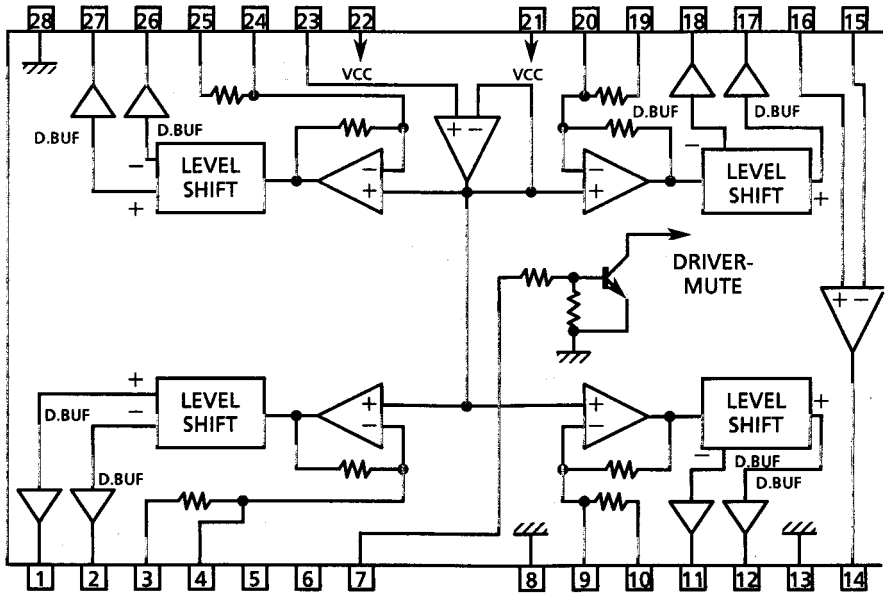


■ BA6398FP(IC700) : BTL DRIVER

1. Terminal Layout

CH1-OUT A	1	28	GND
CH1-OUT B	2	27	CH4-OUT A
CH1-IN A	3	26	CH4-OUT B
CH1-IN B	4	25	CH4-IN A
NC	5	24	CH4-IN B
NC	6	23	BIAS IN
MUTE	7	22	VCC
GND	8	21	VCC
CH2-IN B	9	20	CH3-IN B
CH2-IN A	10	19	CH3-IN A
CH2-OUT B	11	18	CH3-OUT B
CH2-OUT A	12	17	CH3-OUT A
GND	13	16	OP IN+
OP OUT	14	15	OP IN-

2. Block Diagram



3. Description

Pin No.	Symbol	I/O	Description
1	CH1-OUT A	O	Focus drive output
2	CH1-OUT B		
3	CH1-IN A	I	Focus drive input
4	CH1-IN B	-	Non connection
5,6	NC		
10	CH2-IN A		
19	CH3-IN A		
24	CH4-IN B		
7	MUTE	I	Mute signal input pin
9	CH2-IN B	I	Spindle motor drive input
20	CH3-IN B	I	Feed motor drive input
25	CH4-IN A	I	Tracking drive input

Pin No.	Symbol	I/O	Description
8,13,28	GND	-	GND
11	CH2-OUT B	O	Spindle motor drive output
12	CH2-OUT A		
14	OP OUT	O	OP amp output
15,16	OP IN	I	OP amp input
17	CH3-OUT A	O	Feed motor drive output
18	CH3-OUT B		
21,22	Vcc	-	Power supply
23	BIAS IN	I	Input pin of Bias
26	CH4-OUT B	O	Tracking drive output
27	CH4-OUT A		

■ T8409F (IC750) : DC MOTOR DRIVER

IN2	1
VCC	2
OUT2	3
NC	4
GND	5
VS	6
OUT1	7
Vref	8
IN1	9

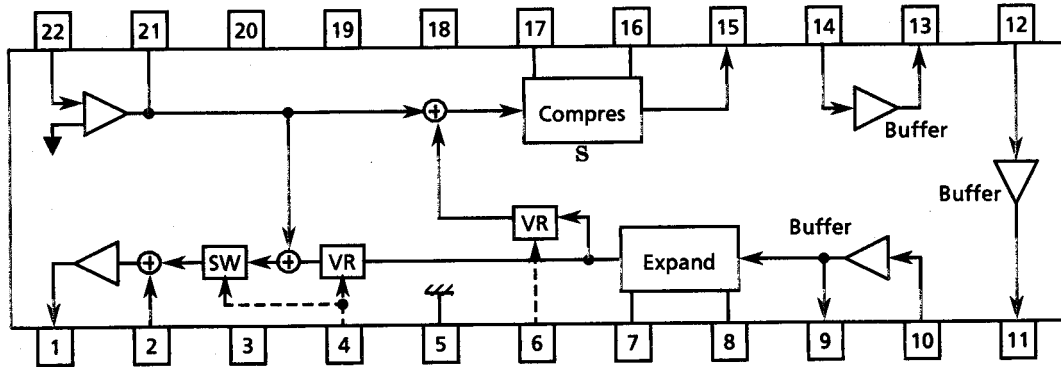
Function

INPUT		OUTPUT		MODE
IN1	IN2	OUT1	OUT2	
0	0	∞	∞	STOP
1	0	H	L	OPEN
0	1	L	H	CLOSE
1	1	L	L	BRAKE

∞: Hight impedance

■ BA7725S (IC998) :Echo circuit

1. Internal Block Diagram

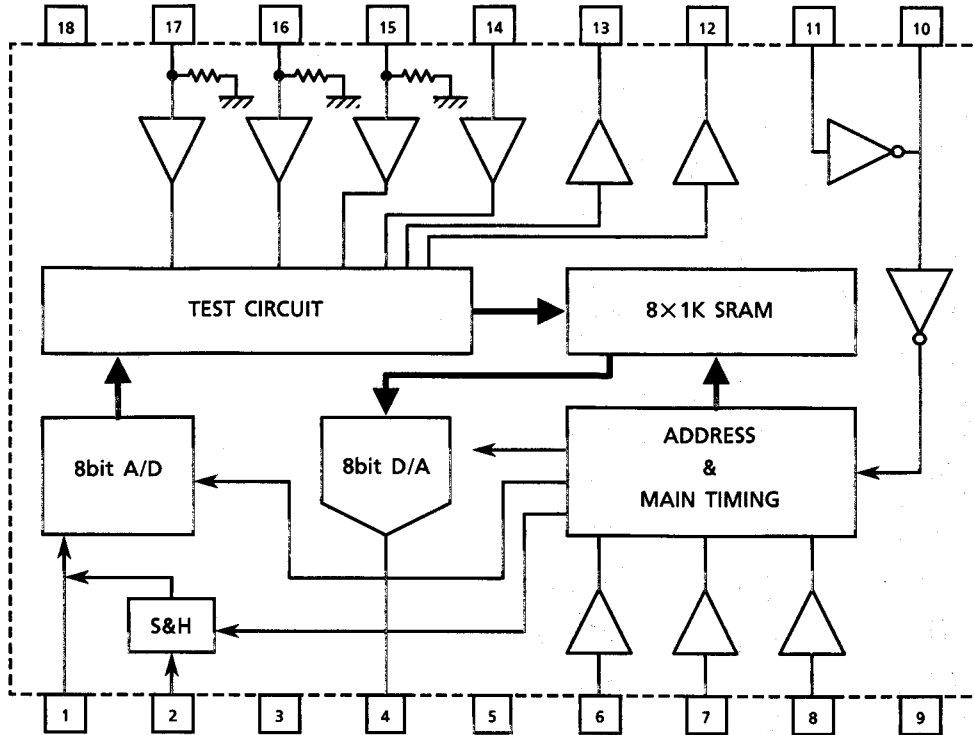


2. Terminal Description

Pin No.	Symbol	Function
1	LINE OUT	Line output
2	LINE IN	Line input
3	NC	Not used
4	ECHO LEV CTRL	Determines echo level. The echo circuit is off when 1 volt is added. The echo level varies according to the voltage from 2 volts to 9 volts.
5	GND	Analog GND
6	LOOP GAIN CTRL	Loop gain control terminal. The gain varies according to the voltage from 2 volts to 9 volts.
7	EXP DET	Detection terminal for expand circuit
8	EXP DET CT	Determines the attack and recovery time of expand circuit
9	EXP BF OUT	Buffer output (Expand circuit side)
10	EXP BF IN	Buffer input (Expand circuit side)
11	DLY BF OUT	Delay buffer output
12	DLY BF IN	Delay buffer input
13	CMP BF OUT	Buffer output (Compress circuit side)
14	CMP BF IN	Buffer input (Compress circuit side)
15	CMP OUT	Compress circuit output
16	CMP DET CT	Determines the attack and recovery time of compress circuit
17	CMP DET	Detection terminal for compress circuit
18	RIPPLE FILTER	A capacitor is connected for ripple elimination filter
19	VCC	Power supply
20	NC	Not used
21	MIC AMP OUT	Mic amp output
22	MIC AMP IN	Mic amp input

■ BU9251S: IC999 (D/A DELAY & A/D)

1. Block Diagram



2. Terminal Function

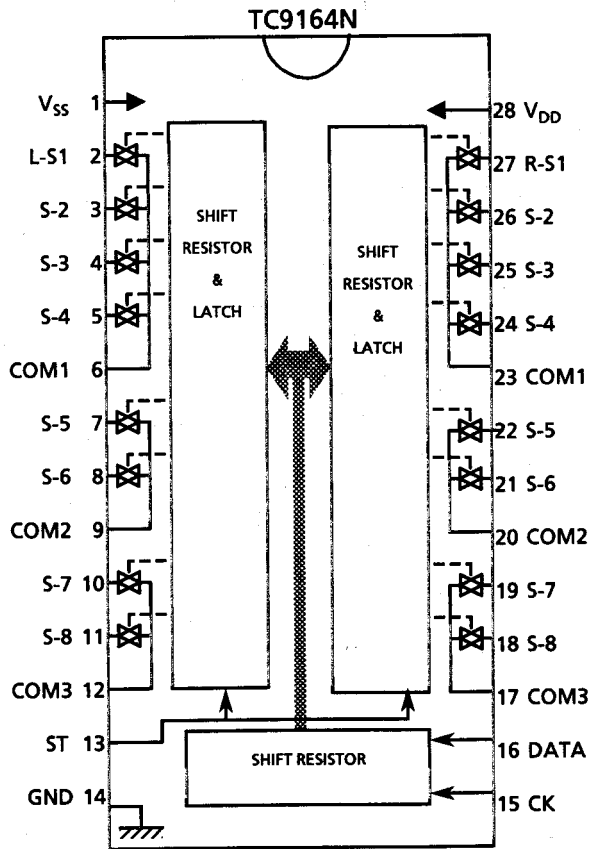
Pin No	Pin Name	Function
1	S&H	Capaciter connected pin for sample and hold
2	AIN	Input for analog signal
3	GND	GND
4	AOUT	Output for analog signal
5	VDD	Power supply
6	DCNT0	Delay time setting
7	DCNT1	Delay time setting
8	DCNT2	Delay time setting
9	GND	GND
10	OSC0	Oscillating 2
11	OSC1	Oscillating 1
12	TDO1	For test (output)
13	TDO0	For test (output)
14	TDIN	For test (input)
15	TST2	Mode setting for test
16	TST1	Mode setting for test
17	TST0	Mode setting for test
18	VCC	Power supply

■ TC9164N(IC401), : Analog Switch

1.Functions

These analog switches are controlled by 14 bit serial date from computer for selecting the source.

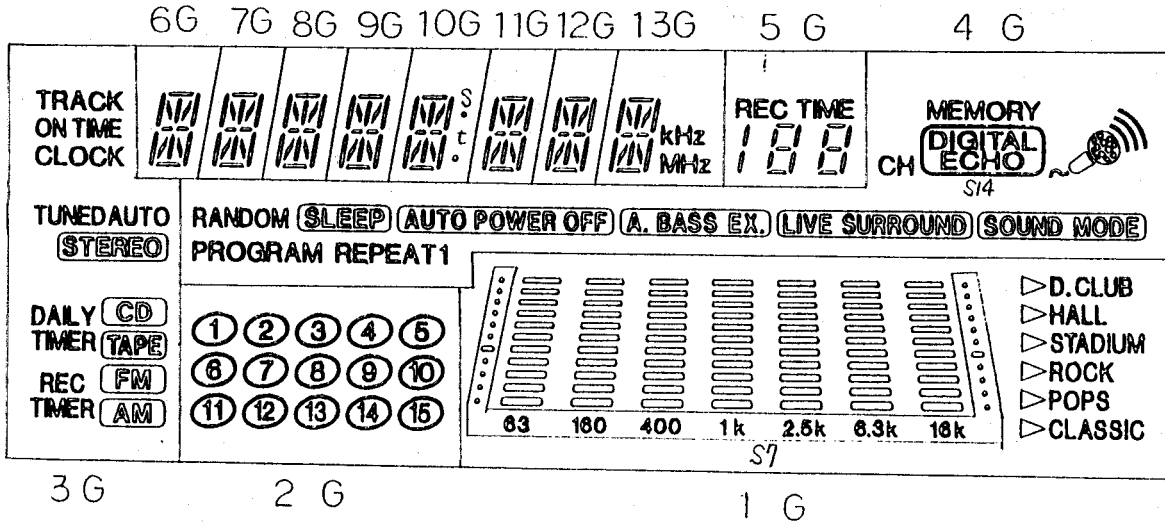
2.Terminal Layout & Block diagram



Internal Connection of the Display

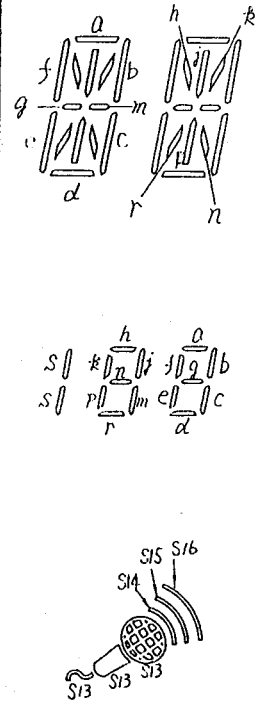
■ ELU0001-190: FL TUBE(FL800)

(1) Grid Layout



(2) Anode Designation

	1G	2G	3G	4G	5G	6-9G	10G	11G-12G	13G
S1	CLASSIC	①	TRACK	RANDOM	a	a	a	a	a
S2	POPS	②	ON TIME	PROGRAM	b	b	b	b	b
S3	STADIUM	③	CLOCK	I	c	c	c	c	c
S4	D. CLUB	④		SLEEP	d	d	d	d	d
S5	HALL	⑤	AUTO	REPEAT	e	e	e	e	e
S6	ROCK	⑥	TUNED	A. BASS EX.	f	f	f	f	f
S7	S7	⑦	STEREO	AUTO POWER OFF	g	g	g	g	g
S8		⑧		LIVE SURROUND	REC TIME	h	h	h	h
S9		⑨	DAILY TIMER	SOUND MODE	h	j	j	j	j
S10		⑩	REC TIMER	CH	j	k	k	k	k
S11		⑪		MEMORY	k	m	m	m	m
S12		⑫			m	n	n	n	n
S13		⑬	CD	S13(MIC)	n	p	p	p	p
S14		⑭	TAPE	DIGITAL ECHO _{S14}	p	r	r	r	r
S15		⑮	FM	S15	r	s	s	s	s
S16			AM	S16	s	t	t	t	t
t1	▶(D. CLUB) .t1								
t2	▶(HALL) .t2								
t3	▶(STADIUM) .t3								
t4	▶(ROCK) .t4								
t5	▶(POPS) .t5								
t6	▶(CLASSIC) .t6								
t7	t7								
t8	t8								
t9	t9								
t10	t10								

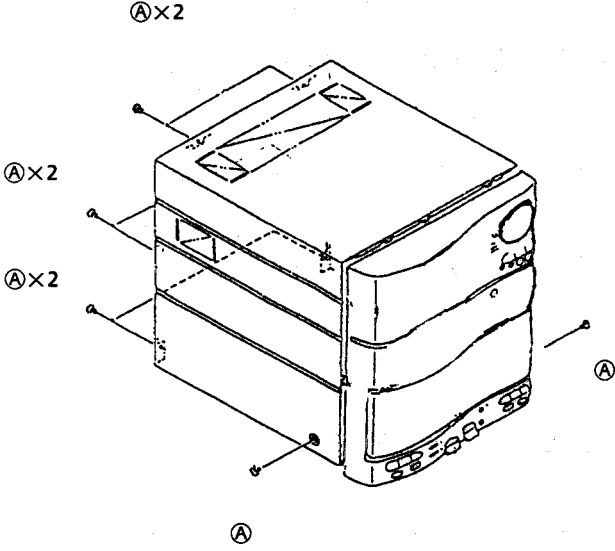
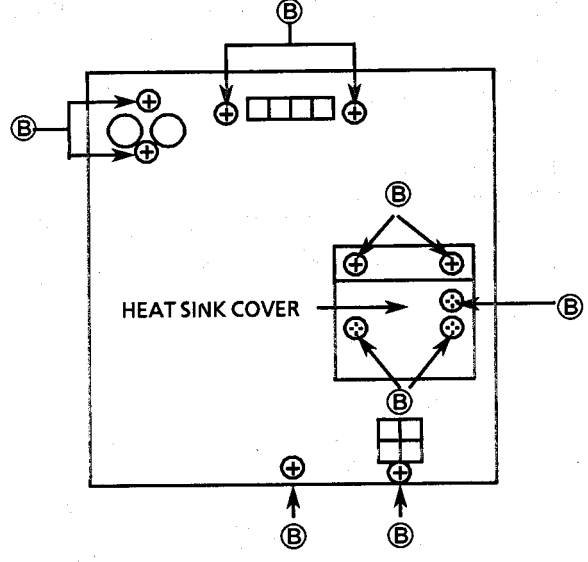
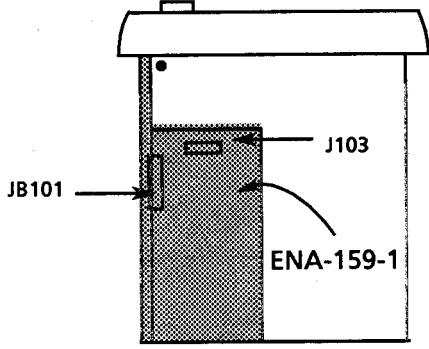
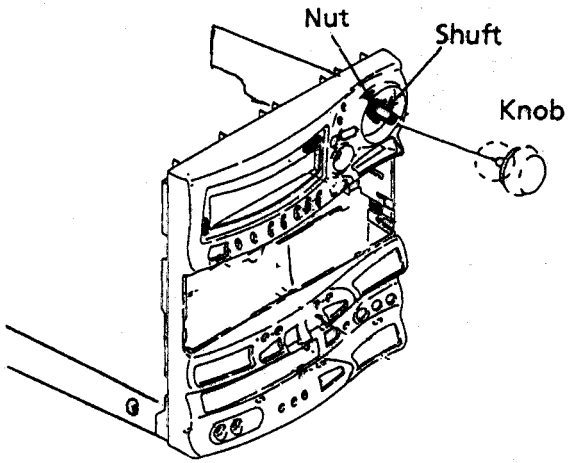


(3) Pin Connections

TERMINAL NO.	1	2	3	4	5	6	7	8	9	10	11	12	13	14	15	16	17
ELECTRODE	F	F	F	NP	NP	P	P	P	P	P	P	P	P	P	P	P	P
TERMINAL NO.	18	19	20	21	22	23	24	25	26	27	28	29	30	31	32	33	34
ELECTRODE	P	P	P	P	NC	NC	16	26	36	46	56	66	76	86	96	106	116
TERMINAL NO.					38	39	40	41	42	43	44	45	46	47	48	49	50
ELECTRODE					P	P	P	P	P	P	P	P	P	P	P	NP	NP
					t0	t1	t2	t3	t4	t5	t6	t7	t8	t9	t10	NP	NP

Notes F: Filament NP: No Pin
G: Grid NC: No Connection
P: Anode

Disassembly Procedures

<p>(1) Top cover removal</p> <ol style="list-style-type: none"> 1. Remove 6 screws (A) on the rear side and 2 screws (A) on both sides of the cover. 2. Remove the cover. 	<p>(2) Rear panel removal</p> <ol style="list-style-type: none"> 1. Remove the top cover. 2. Remove the 2 screws (B) holding the heatsink cover. 3. Remove the 9 screws. 4. Remove the heat sink cover and rear panel.
 <p>Fig1</p>	 <p>Fig2 Rear view</p>
<p>(3) Tuner PCB (ENA-159-1) removal</p> <ol style="list-style-type: none"> 1. Remove the (1) and (2). 2. Remove J103. 3. Remove JA101. 4. Remove the tuner PCB. 	<p>(4) Main VR and Source select PCB (FSB-001) removal</p> <ol style="list-style-type: none"> 1. Remove the (1) (2) and (3). 2. Remove the main volume knob. 3. Remove the NUT for the volume shaft. 4. Remove the P401 and P402. 5. Remove the Main VR and Source select PCB.
 <p>Fig3 Top view</p>	 <p>Fig4 Front view</p>
<p>(A) .. SDSG3006M (B) ... E73273-003</p>	

(5) Main PCB(ENH-251-1) removal

1. Remove the (1)AND(2).
2. Remove the 4 screwsⓐ.
3. Remove the J401 J402and ,J410,JA801,FW501 J801,JA601.
4. Remove the P304,P303,and JA852.
5. Remove the Main PCB and AMP PCB.

(6) AMP PCB(ENH-251-2) removal

1. Remove the (5).
2. Remove the AMP PCB

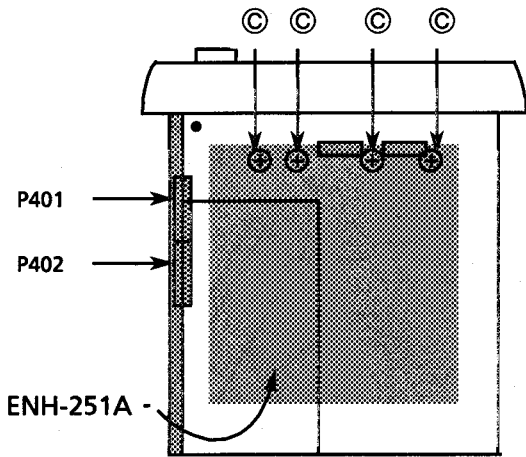


Fig 5 Top view

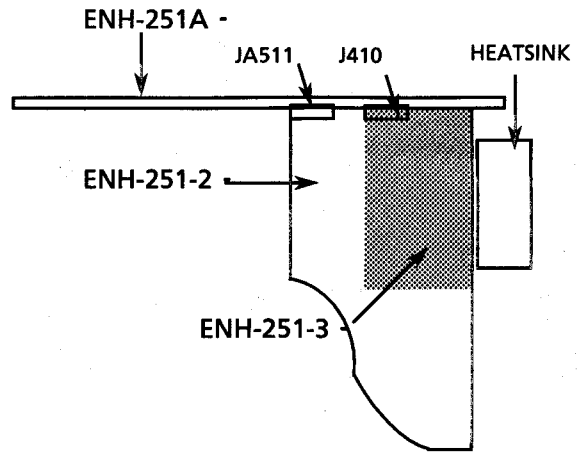


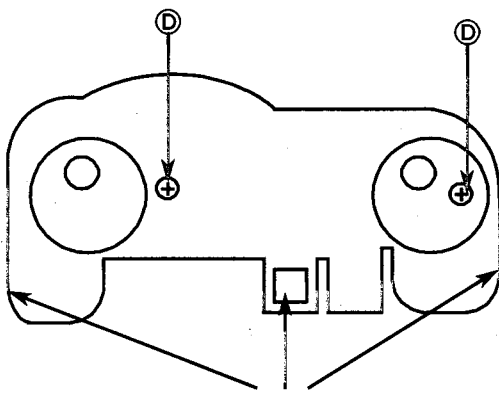
Fig 6 AMP PCB view

(7) Front panel assembly removal.

1. Remove the (1)(2)and (5).
2. Remove the 2 screwsⓐ.
3. Remove the Fook of the bottom side and both side..
4. Remove the Front panel assembly.

(8) Front PCB(FSB-001-1) removal

1. Remove the (1)(2)and (4).
2. Remove the Front panel ass'y.
3. Remove the 7 screws ⓑ.
4. Remove the Front PCB.



Remove the FOOKs

Fig 7 Bottom view

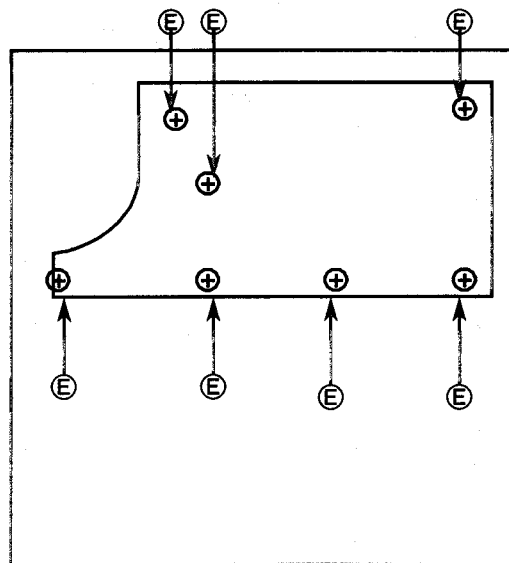


Fig 8 Front panel rear view

ⓐ .. SPST2604Z

ⓓ ... SBST3006M

ⓔ ... SDSF2608Z

(9) Cassette mechanism with the PCB (FSC-002-3) removal

1. Remove the (1)(2)and (5).
2. Remove the screw (G) holding the shield plate.
3. Remove the 4screws (F) and 4screws (G).
4. Remove the Cassette mechanism.

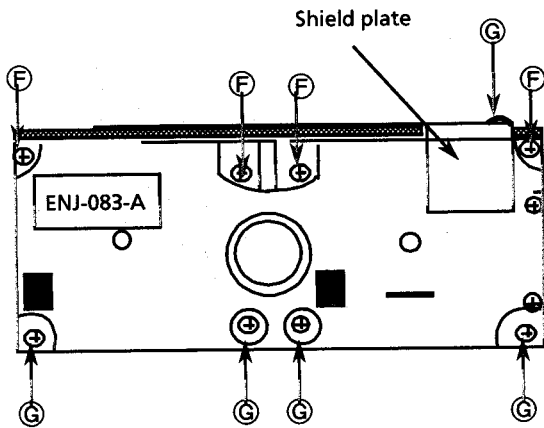


Fig 9 Front panel Rear view

(10) Cassette holder removal

1. Open the cassette door.
2. Remove the Cassette mechanism assembly.
3. Remove the Cassette holder slide up ward.

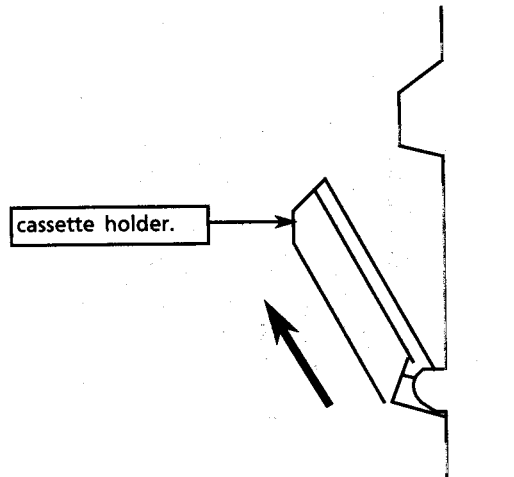


Fig 10 Side view

(11) Front SW PCB(FSB-001-2) removal

1. Remove the (1),(2),(4)and (5),(7),(10).
2. Remove the Cassette mechanism assembly.
3. Remove the 6 screws (E)holding the braket.
4. Remove the 9 screws (E)holding the SW PCB.
5. Remove the SW PCB .

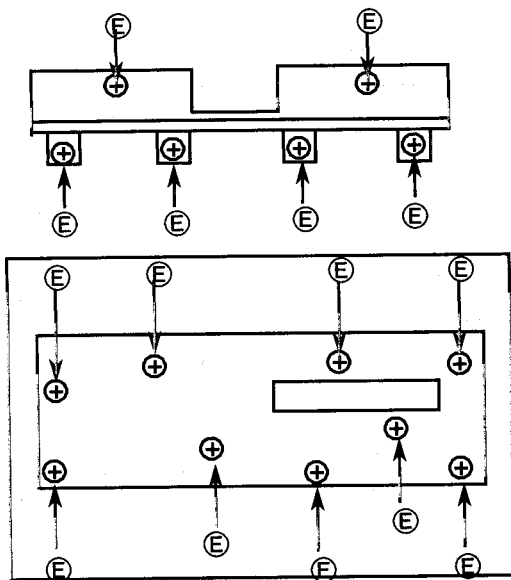


Fig 11 Front panel Rear view

(12) Cassette door lock plate removal

1. Remove the (1),(2)and (5),(9).
2. Remove the 2screw (E)holding the door lock plate.
3. Remove the door lock plate.

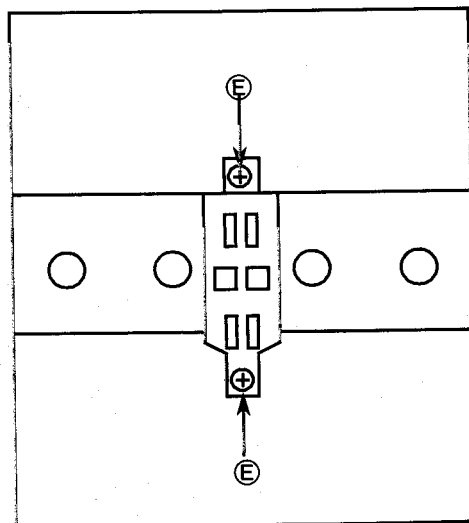


Fig 12 Front panel Rear view

(E) .. SDSF2608Z (F) ... SBSF3008Z (G) ... SBST3006Z

- (13) Damper removal**
1. Remove the cassette mechanism.
 2. Remove the spring holding the cassette holder.
 3. Press the tab which secures the damper to remove the damper.(See the arrow shown in the figure below)

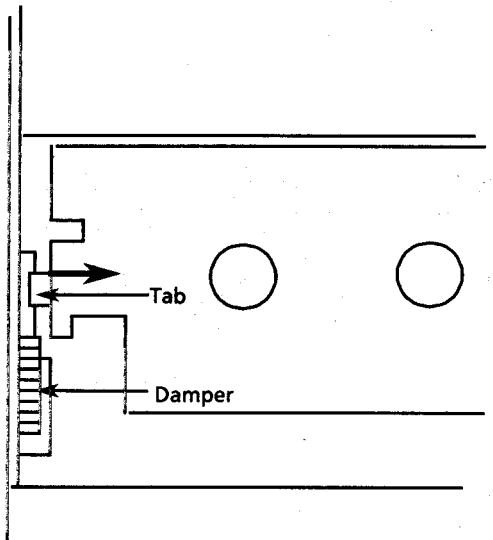


Fig 13 Door damper view

- (14) Cassette holder removal**
1. Remove the Cassette mechanism assembly.
 2. Remove the spring holding the cassette holder.
 3. Remove Cassette holder .

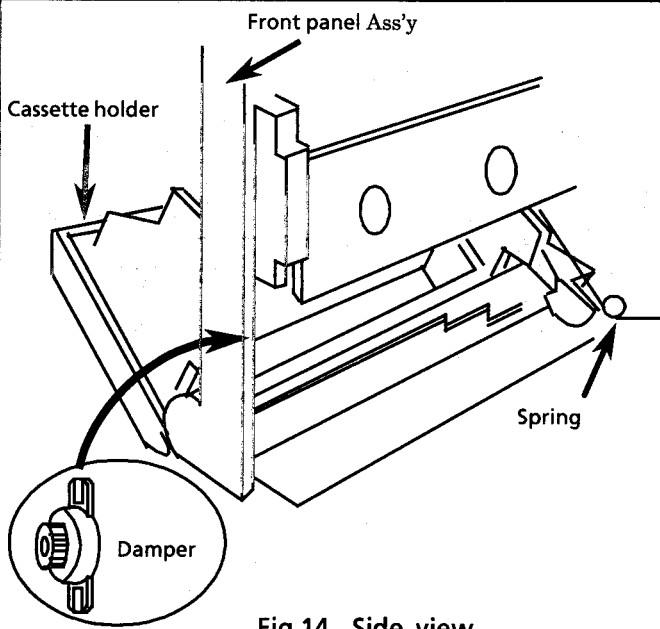


Fig 14 Side view

- (15) Capstan motor removal.**
1. Remove the cassette mechanism.
 2. Remove the cassette deck control PCB.
 3. Remove the 6screws holding the bracket.
 4. Remove the capstan motor with the bracket.
 5. Remove the 2screws fixing the motor and the bracket.

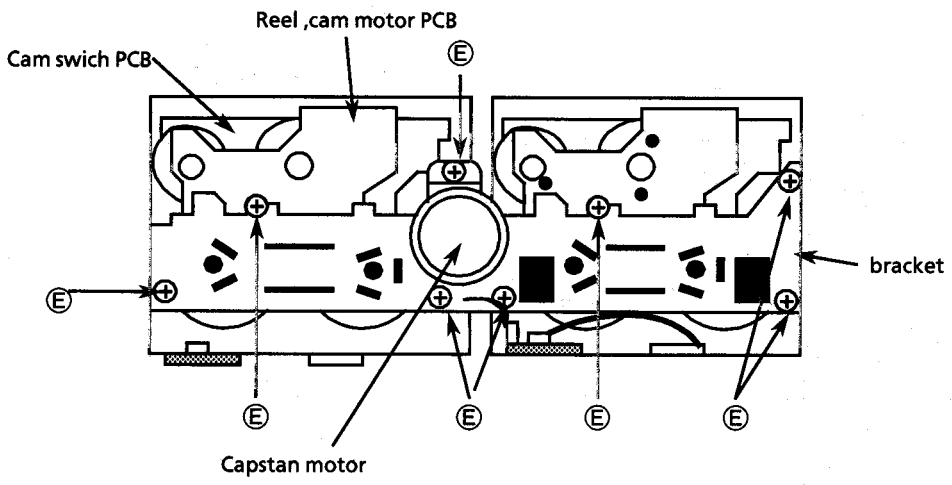


Fig 15 Cassette mechanism bottom view

(16) Head assembly

The direction of the head is changed with the head gear. When servicing, install the head gear according to the direction of the head.

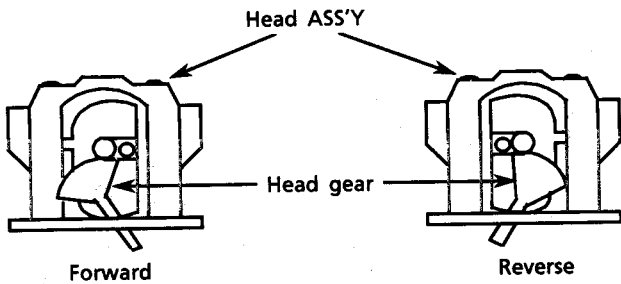


Fig16 Head ass'y side view

(17) Pinch roller arm assembly removal

1. Release the hook holding the pinch roller arm assembly to remove the assembly.

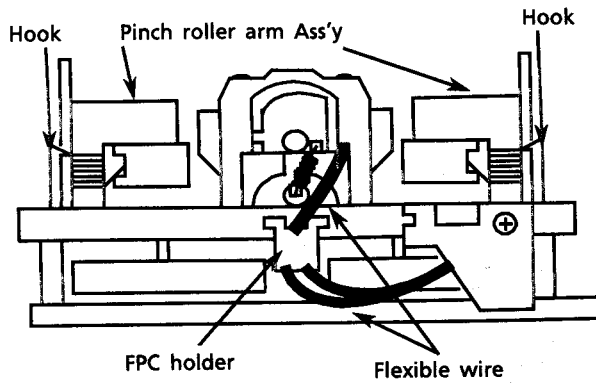


Fig17 Cassette mechanism side view

(18) Fly wheel removal

1. Remove the cassette mechanism assembly.
 2. Remove the cassette controller PCB.
 3. Remove the 8 screws (E) and the bracket.
- * The oil on the capstan must be wiped out after re-assembling.

(19) Fly wheel assembly

1. Install the beltB of bossA, next install the beltA as shown in fig 19 up side.
2. Assemble the d the bracket with the capstan motor.
3. Hang the beltB of the motor pulley using a tweezers and the like as shown in fig 19 down side.

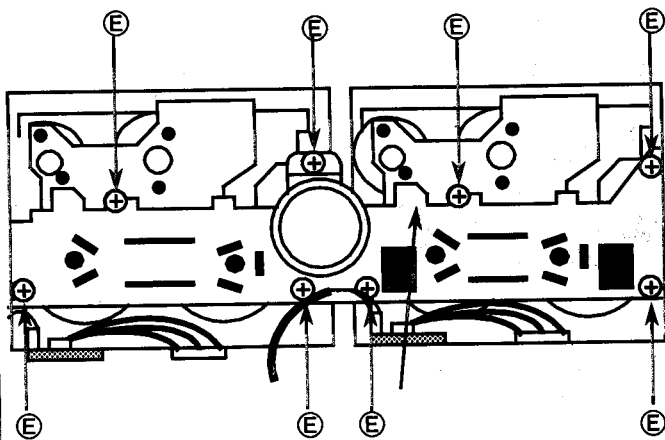


Fig 18 Cassette mechanism bottom view

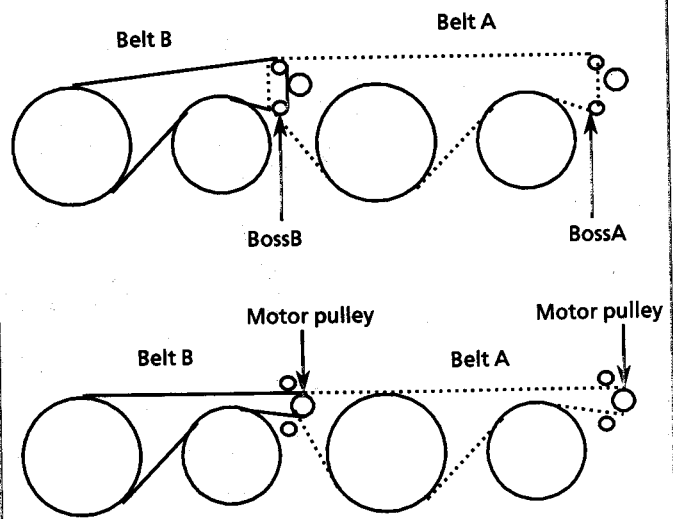


Fig 19 Fly wheel view

(A) .. SD5G3006M (B) ... E73273-003

(20) Reel and cam motor removal

1. Remove the cassette mechanism assembly.
2. Remove the cassette controller PCB.
3. Remove the (15).
4. Remove the 2screws① and 2screws②.
5. Unsolder the reel and cam motor PCB.
6. Remove thr motor .

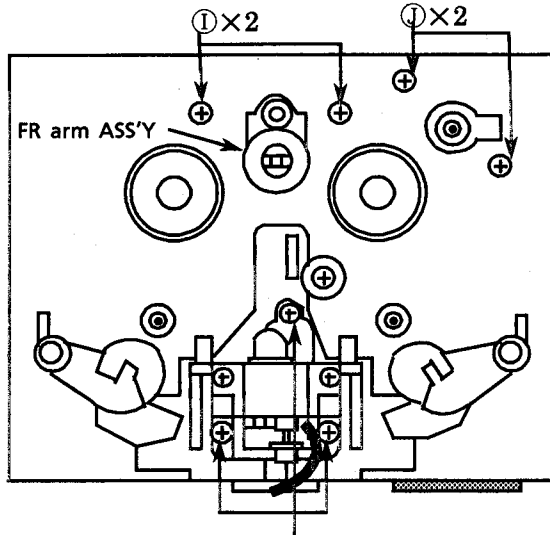


Fig 20 Cassette mecha Top view

(21) Cam SW PCB removal

1. Remove the (18).
 2. Remove the reel and cam motor PCB.
 3. Remove the screw and hooks fixing the PCB to remove the Cam SW .
- When assembling the cam switch ,install it so that the part ④ meets the part ③.

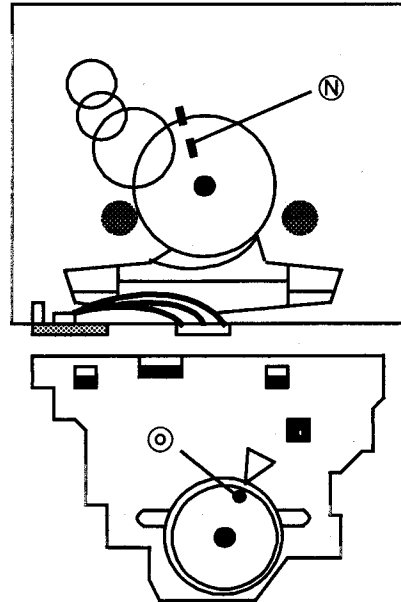


Fig 21 AMP PCB view

(22) Cassette controll PCB(ENJ-083)removal.

1. Remove the (1)(2)and (5).
2. Disconnect the 4 J303,J304.
3. Remove the 2screws ③ holding the Cassette controll PCB.
4. Remove the Cassette controll PCB.

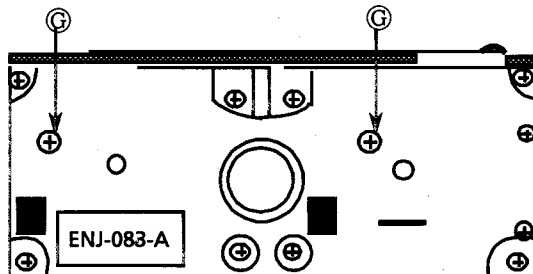


Fig 22 Cassette mechanism Bottom view

(23) Head assembly removal

1. Remove the cassette mechanism assembly.
2. Remove the FPC wire to the Cassette controll PCB.
3. Remove the 3 screws ④ holding the Cassette controll PCB.

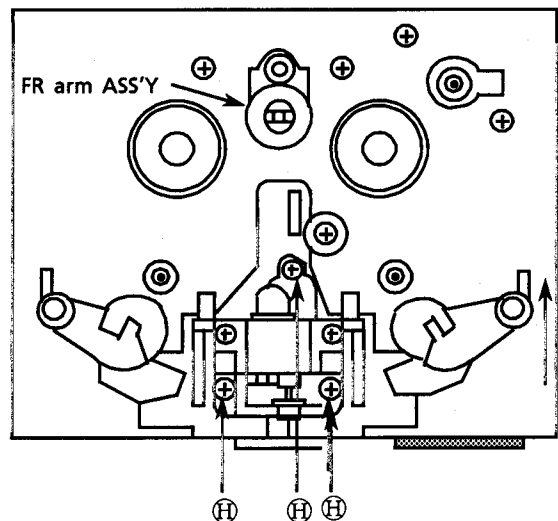


Fig 23 Front panel rear view

(24) CD mechanism removal

1. Remove the (1),(2)and (5).
2. Remove the screw ⑥.
3. Tune the screw located under the mechanism to remove the tray out of the loading mecha.
4. Remove the tray.

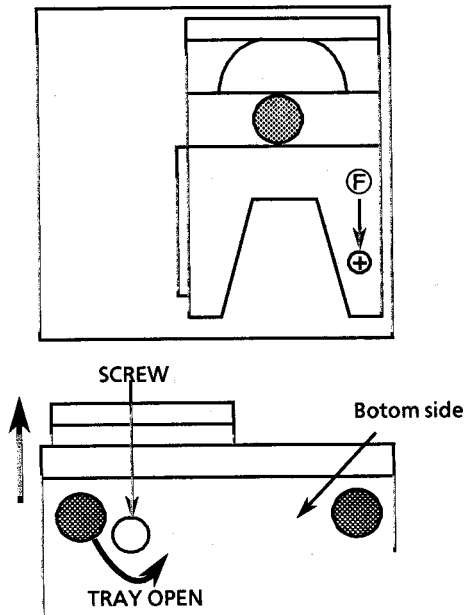


Fig 24 CD mechanism

(25) CD mecha Ass'y removal

1. Remove the (1),(2),(5).
2. Disconnect the P601.
3. Remove the 2 screws ⑥to remove the clamp assembly .
4. Remove the 4 screws to remove the CD mecha Ass'y.

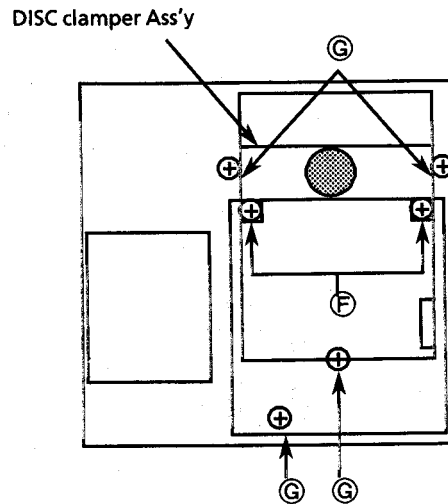


Fig 25 CD mechanism

(26) CD servo PCB removal

1. Remove the (1),(2),(6),(24),(25).
2. Remove the 3screws ③holding the CD servo PCB.
3. Remove the CD servo PCB .

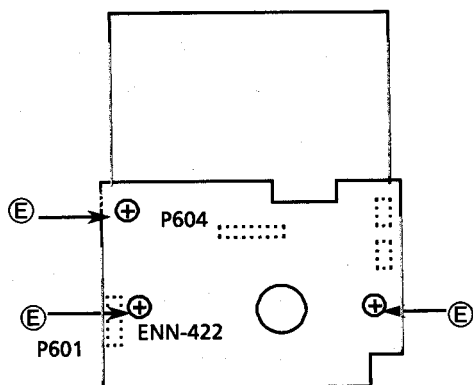


Fig 10 CD mechanism botom view

(10) Installing CD mecha. tray

1. Insert the CDmecha.tray after checking that the traverse mecha.is positioned slantingly.
2. If it is set horizontally,press the cam plate until it stops so that the traverse mech.slants.(See an arrow in the following figure.)

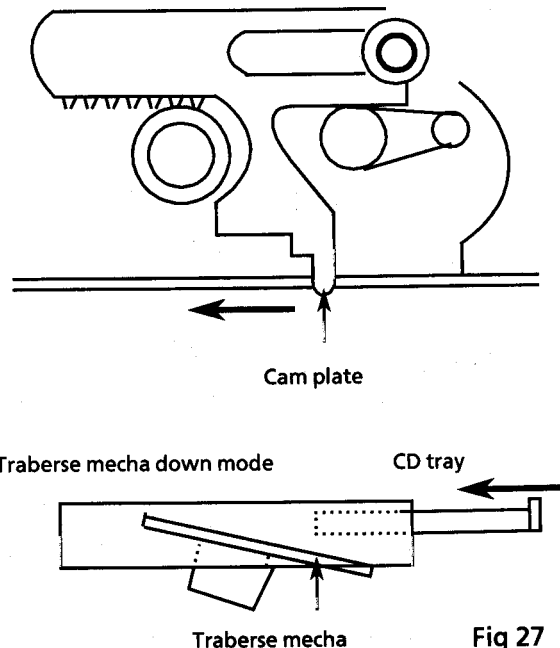
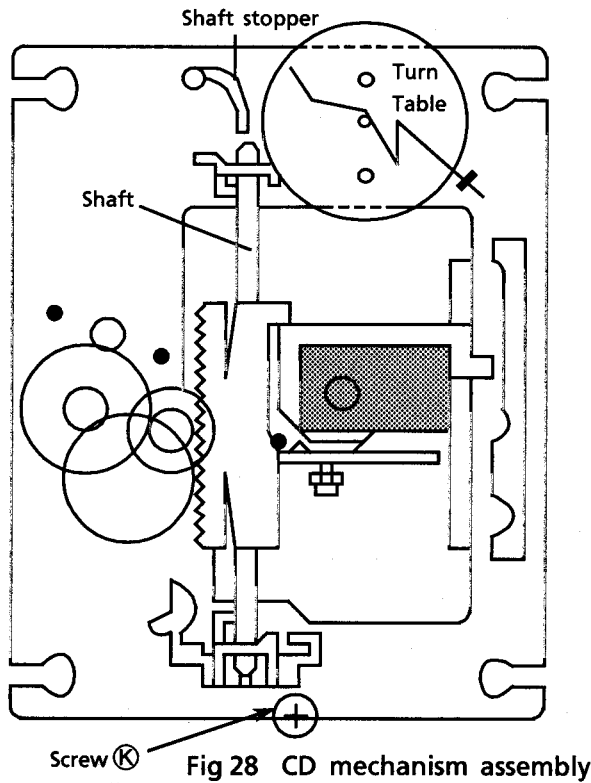


Fig 27

③ ... SDSF2608Z ⑥ ... SBSF3008Z ⑦ ... SBST3006Z

(28) Pickup removal

1. Remove the cd mechanism assembly.
2. Release the shaft to remove the pickup (Fig 28).



(29) Spindle motor removal

1. Remove the cd mechanism assembly.
2. Remove the turntable, and remove the two screws retaining the spindle motor.
3. Remove the screws retaining the spindle and feed motor P.C. Board and unsolder it.

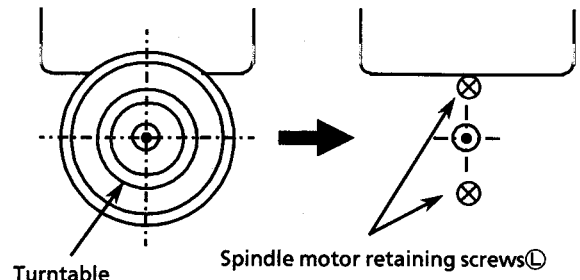


Fig 29

- (31)** After inserting the turntable, bond the motor shaft and turntable together (at the section marked by an arrow in fig 15 on the left below).

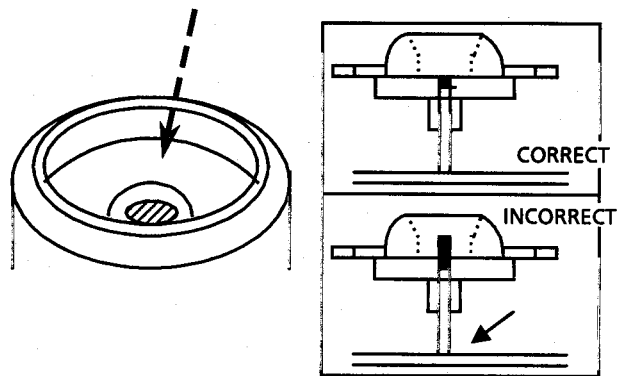


Fig 31

(30) Spindle motor installation

1. Tighten the 2 screws to the same torque.
2. Fasten the spindle and feed motor P.C. board with the screw and solder.
3. Install the turntable. When installing, press straight down at the center of the turntable until the distance from the surface of the mechanism base to the turntable is exactly $19.4 \pm 0.1\text{mm}$.

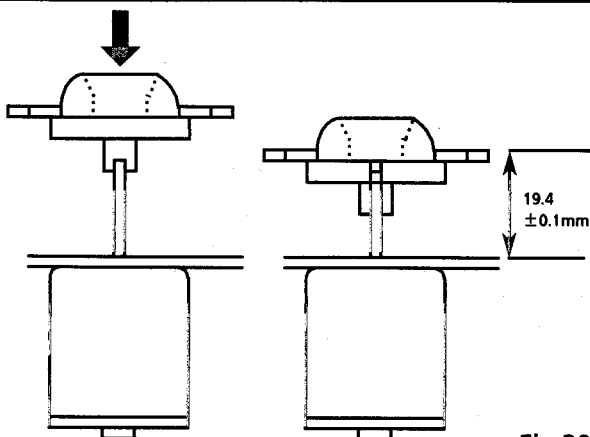


Fig 30

- (32)** Use "LOKTTITE" #460 bonding agent, and apply as little as possible. Take care not to allow any excess bonding agent to get onto the turntable. Be extremely careful not to allow bonding agent to adhere to the motor bearings (the section marked by an allow in fig 31 on the right).

Adjustment Procedures

■ Tuner section

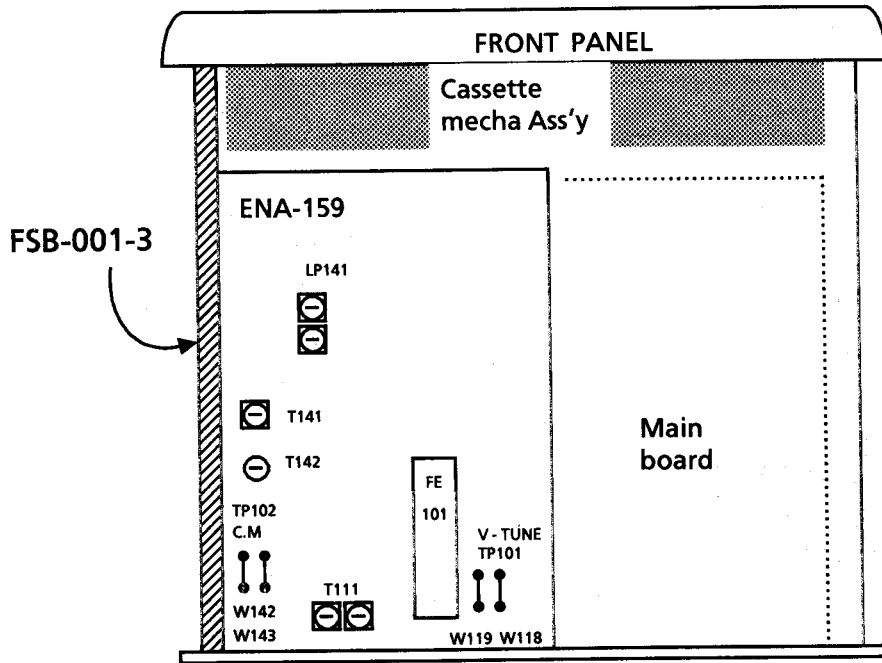


Figure 1

(1) Clock Adjustment

1. After connecting W814(TEST) and W813(GND) with some wire, connect ac power cord into ac outlet.
2. Confirm that the display is off and remove the wire.
3. Connect a frequency counter to W812(F OUT) and W813.
4. Adjust TC801 so that the frequency becomes $50000 \pm 0.29\text{Hz}$.

(2) Tuning voltage

Confirm the voltages in the table below at TP101. If the voltages are not satisfied, replace T101 for AM or FE101 for FM.

FM Tuning voltage (Unit : V)

Frequency	FM		AM	
	87.5MHz	108MHz	522kHz	1629KHz
Tuning voltage	1.6 ± 1.0	8.0 ± 2.0	1.0 ± 0.2	7.5 ± 0.8

(3) FM center meter

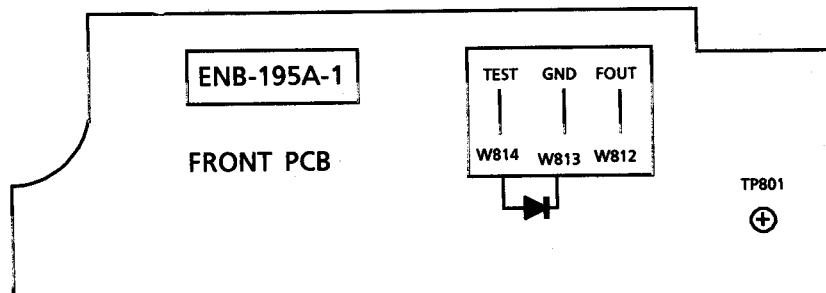


Figure 2

■ Deck section

■ Deck adjustment point

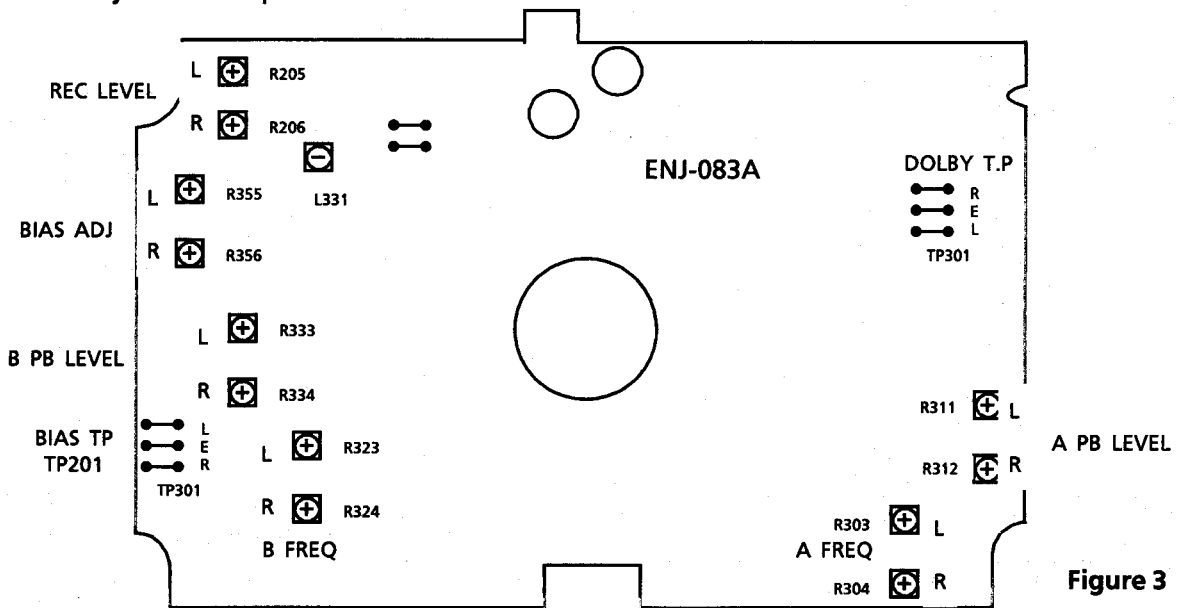


Figure 3

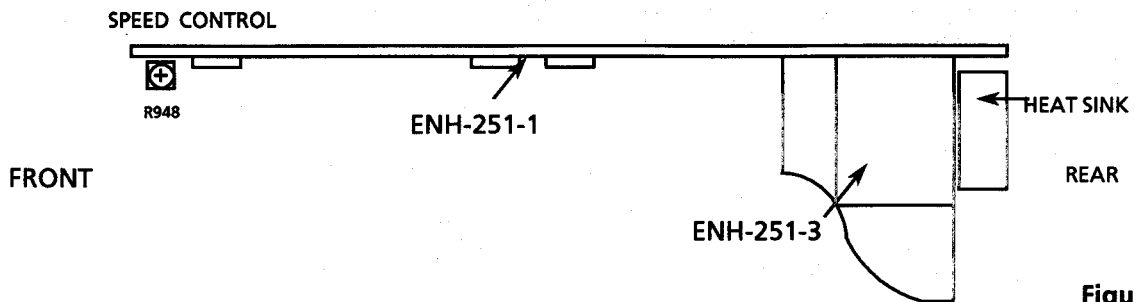


Figure 4

1. Measuring instruments

- Audio frequency signal generator (0dbs output at the 600 ohm output terminal from 50Hz to 20KHz)
- Electronic voltmeter
- Frequency counter
- Wow & Flutter meter
- Distortion Meter with band pass filter
- Attenuator (600 ohm impedance)
- A resistor with 600Ω

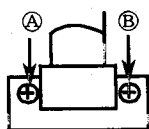
Standard Tape

0dBs = 0.775V

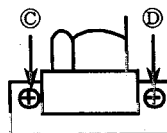
Tape No.	Frequency	Level (Wow & Flutter)	Purpose
VTT-703L	10kHz	-10dBs	Head azimuth , Frequency Response
VTT-712	3000Hz	0dBs 0.025%WRMS	Tape Speed , Wow & Flutter
VTT-724	1kHz	-4dBs	Standard Level
TMT-6447	—	—	Blunk Skip
TMT-6247 , TMT-6237	—	—	Music Scan
TS-8	—	—	Recording standard Normal : UR
TS-11	—	—	Recording standard METAL : MA
TS-10	—	—	Recording standard CrO ₂ : SA
GTG-N (CT-100M)	—	—	Forward / reverse play torque measuring
TW-2231	—	—	Feed forward / rewind torque measuring
C-120 Tape	—	—	Confirming the tape running

2. Adjustment and repairing the mechanism

Item	Adjustment method	Standard value	Remarks
Head azimuth	<p>Deck A</p> <ol style="list-style-type: none"> 1. Connect an electronic voltmeter to the DOLBY TP (figure 1) to playback VTT-703L. 2. Adjust screw (A) so that the indication of the voltmeter becomes maximum when PLAY (▶) is pressed. 3. Adjust screw (B) so that the indication of the voltmeter becomes maximum when PLAY (◀) is pressed. <p>Deck B</p> <ol style="list-style-type: none"> 4. Adjust screw (C) so that the indication of the voltmeter becomes maximum when PLAY (▶) is pressed. 5. Adjust screw (D) so that the indication of the voltmeter becomes maximum when PLAY (◀) is pressed. 6. After making the adjustment, apply screw lock to prevent screws (A), (B), (C) and (D) coming loose. 	Maximum	<ol style="list-style-type: none"> 1. Refer to figure 5. 2. When the specified characteristic cannot be obtained because of head wear, excessive magnetization, etc., replace the head assembly and adjust the head azimuth. Also, perform the electric adjustment. 3. When there is the difference of more than 3 ~ 4 dB between left and right output levels, replace the head assembly to avoid complaints.
Playback torque	1. Measure the torque in the playback mode by the torqu meter.	26 ~ 62 g-cm	When the standard torque cannot be obtained, replace the FR arm assembly or motor.
Fast forward torque	1. Measure the torque in the fast forward mode by the torqu meter.	80 ~ 170 g-cm	When the standard torque cannot be obtained, replace the FR arm assembly or motor.
Wow & flutter	<ol style="list-style-type: none"> 1. Connect the wow & flutter meter to the DOLBY TP (figure 1) and play back VTT-712. 2. Its reading should be within 0.2% (WRMS). 	Less than 0.2%	As a complaint may occur if the wow & flutter fluctuates by 0.1% even though it is allowed in the standard, repairing is required.
Auto stop			



Deck A



Deck B

Figure 5

3. Electrical Adjustments (Make the following adjustments after adjusting the head azimuth.)

In principle, the adjustments should be made in the following sequence.

Set the NR switch to OFF and the BEAT CUT switch to "1".

Adjustments marked with an asterisk (*) should always be made after the head is replaced

0dBs = 0.775V

Item	Adjustment Method	Adjustment Location	Standard Value	Remarks
1 Tape Speed	<ol style="list-style-type: none"> 1. Connect a frequency counter to the DOLBY TP (figure 1) and play back VTT-712. 2. Normal speed Adjustment <ol style="list-style-type: none"> 1) Mechanism B Play back deck B to adjust the semi-fixed resistor R948. 2) Mechanism A Play back deck A to confirm that the difference between deck A and deck B is within $\pm 51\text{Hz}$. 	R948	3,000 Hz $\pm 10\text{Hz}$	1) Adjust the normal speed first, and perform the high speed adjustment.

Item	Adjustment Method	Adjustment Location	Standard Value	Remarks
* 2 Standard level (Playback Level)	1. Connect an electronic voltmeter to the DOLBY TP (figure 3). Play back VTT-724 (1 kHz : -4dBs) to adjust the semi-fixed resistors.	Deck A L: R311 R: R312 Deck B L: R333 R: R334	-5.5dBs (411mV) ±1dB	1) The playback level varies when the head is replaced so should be adjusted. Use an electronic voltmeter with an impedance of 100 kΩ or more.
* 3 Playback Frequency Response	1. Connect an electronic voltmeter to the DOLBY TP (figure 3). 2. Play VTT-703L (10kHz : -10dBs) and adjust semi-fixed resistors to obtain the standard values.	Deck A L: R303 R: R304 Deck B L: R323 R: R324	-11.5dBs (206mV) ±3dB	—
* 4 Recording Bias Frequency	1. Connect a frequency counter to the BIAS TP (figure 3), and perform a recording to adjust bias frequency.	L331	100 kHz +10kHz -5kHz	—
* 5 Record / Playback Frequency Response (Bias current)	1. Supply 1kHz and 12.5kHz with 30mV signals to PHONO/AUX terminals respectively to record them. 2. Connect an electronic voltmeter to the DOLBY TP (figure 3) to confirm the recorded values. 3. If the values are not satisfied, adjust the semi-fixed resistors and record the signal again to confirm the recorded values.	L: R355 R: R356	0±2 dB with 1 kHz as the standard.	Refer to figure 6 below. 1) The recording and playback frequency response of a cassette deck are adjusted by adjusting the bias. 2) Perform the adjustment with normal tape and confirm that the values are within the range for metal tape.
* 6 Record / Playback Sensitivity	1. Input a 1 kHz (-8.2dBs: 300mV) signal to PHONO / AUX terminals and record it on the left and right channels. 2. Connect an electronic voltmeter to the DOLBY TP (figure 1) to confirm the recorded values. 3. If the values are not satisfied, adjust the semi-fixed resistors and record the signal again to confirm the recorded values.	L: R205 R: R206	-5.5dBs (411mV) ±1dB	Adjust with normal tape and make sure that the left / right level difference is 1.0dB or less
* 7 Erase ratio check	1. Record a music source using the Metal tape. 2. Rewind and erase the recorded section. 3. Confirm nothing can be heard.	—	—	—
* 8 Music Scan	1. Make sure not to work the music scanning operation at the start of tape wind using TMT-6237. 2. Make sure to work the music scanning operation at the end of tape wind using TMT-6247.	—	—	—

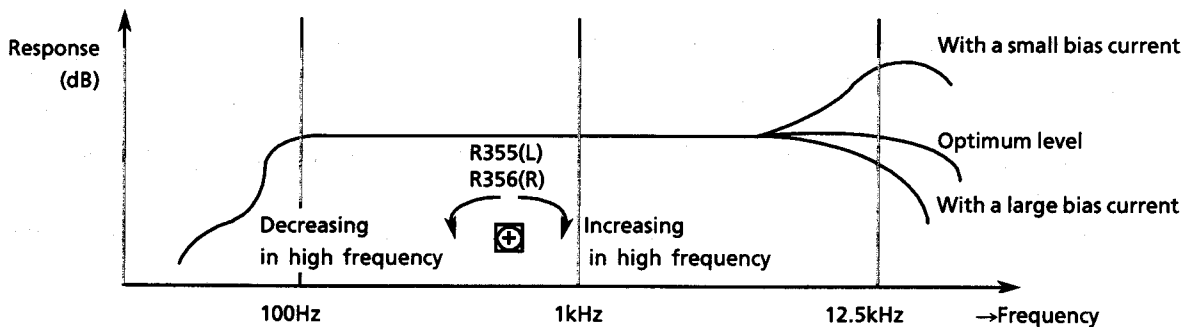


Figure 6

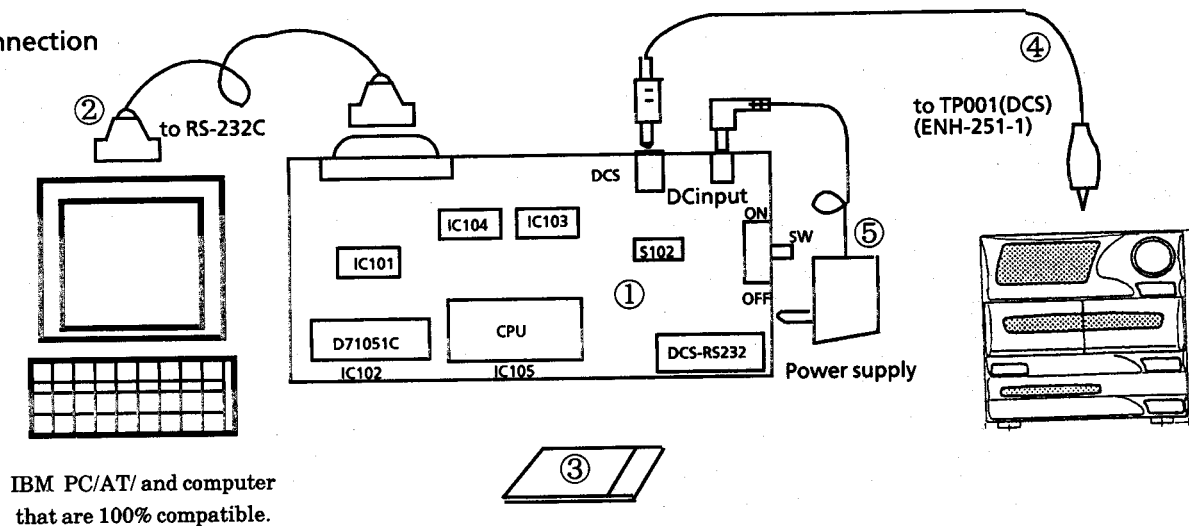
Self-diagnosis for pickup

From DCS output, this model reads automatically adjusted data for CD so that the pickup can be judged defective or not. Following shows its details.

1. Necessary items

- ① DCS → 232C Converting board(No.EBSJ1019)
- ② 232C cord (straight)
- ③ Floppy disc for self-diagnosis (No.EBSJ1021)
- ④ DCS cord
- ⑤ Power supply DC 6.3V (AA-SV11J--America/Canada) (AA-SV11Bs--the UK)
(AA-SV11G--Germany) (AA-SV11EF--Continental Europe) (AA-SV11U--
Universal type)
- ⑥ CD (without scratches or damage)

2. Connection



For this diagnosis, a device driver for RS232C cord (straight type) is necessary.

(Ex.) C:\DOS MODE COM 1:9600, N, 8, 1

↗ adapter number(1or2) ↖ band rate ↖ parity ↖ data bit ↖ stop bit

3. Procedure

- ① Turn the converting board's switch on after connecting between CA-S200 and the above necessary items
Set S102(switching DCS positive from/to negative logic) so that GREEN can emit red(positive logic).
- ② Put a disc on the tray and close it to read TOC.
Do not press the play button.
- ③ Input "AUTO 01" on personal computer's keyboard and the CD's automatic adjustment value and judgment for the pickup are displayed on the screen.

4. Judgment

To judge whether pickup is defective or not, firstly process of automatic adjustment is checked by automatic adjustment flag. And, the value(automatic adjustment value for focus gain) displayed on the screen is used for its final judgment.

It is supposed that the pickup is defective or the signal path is faulty if the Flag1 or Flag0 indicates not "F" but a figure.

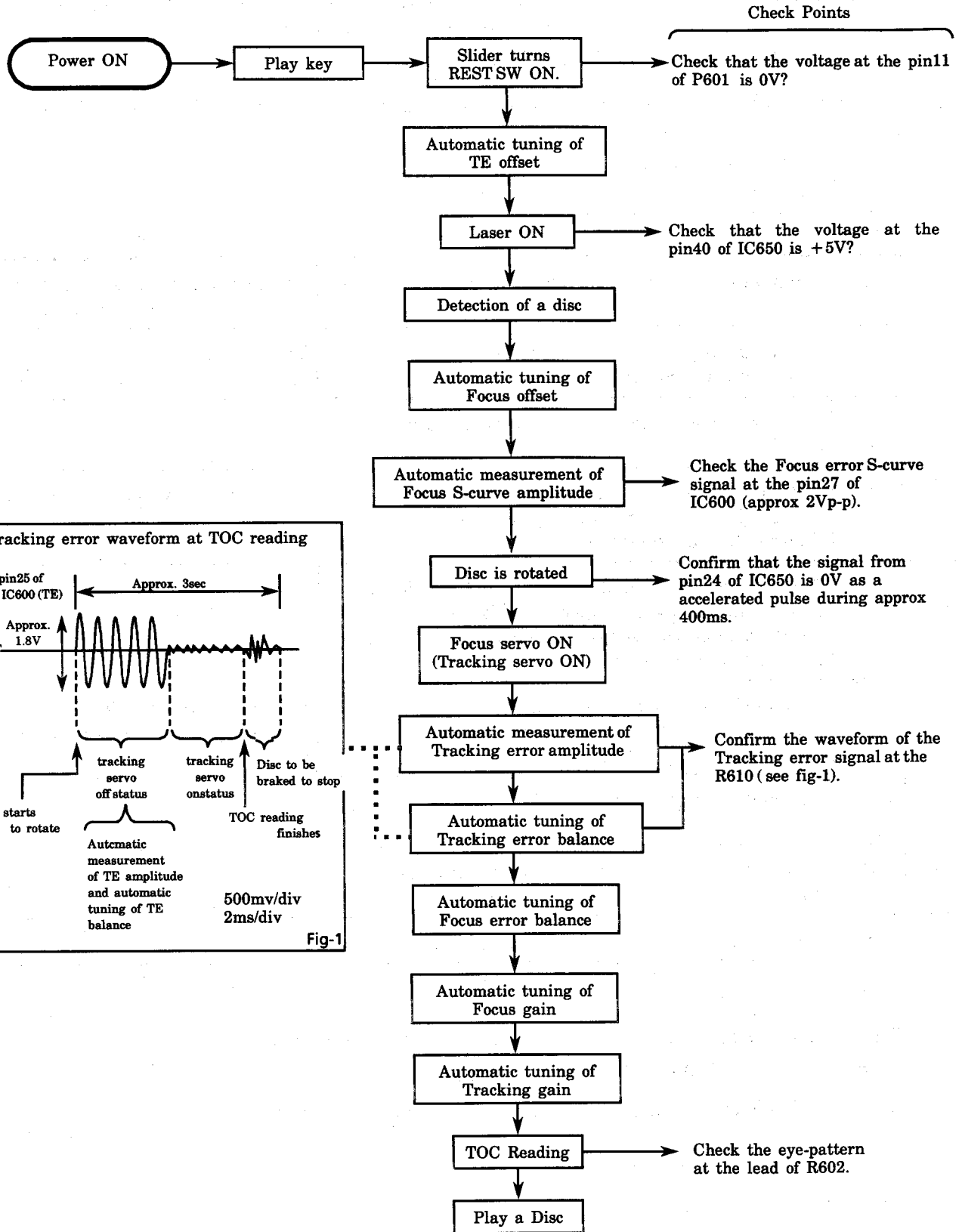
(See the following example.)

Flag1	Flag0	Details	Supposed cause
0	0	Automatic adjustment for tracking offset is failed.	The automatic adjustment is not completed. (Trouble in circuit.)
0	1	Automatic adjustment for focus offset is failed. (Disc does not rotate.)	The lens does not move. (Power supply is not turned on. Wire is cut.)
0	3	Automatic rough adjustment for focus gain is failed.	
0	7	Automatic rough adjustment for tracking gain is failed. (The focus and tracking gain are not locked though the disc rotates.)	Laser deterioration (low RF signal output). Offset beam.
0	F	Disc rotates, focus and tracking gain are locked and automatic rough adjustment for tracking gain is also completed though automatic adjustment for tracking balance is failed.	Laser deterioration (low RF signal output). Offset beam.
1	F	Automatic adjustment for focus balance is failed. (TOC is not read though the disc rotates.)	RF signal output is low. Tracking loop is not turned on. RF jitter is too much.
3	F	Automatic rough adjustment for focus gain is failed.	
7	F	Automatic rough adjustment for tracking gain is failed.	
F	F	All automatic adjustments are completed.	

The pickup is judged defective though the Flag0 and Flag1 indicate "F" and those adjustments are completed if the adjustment value exceeds 19dB.

[NOTE] This value is only for CA-S200. It can not be used for other models.

Flow of Functional Operation Until TOC is Read

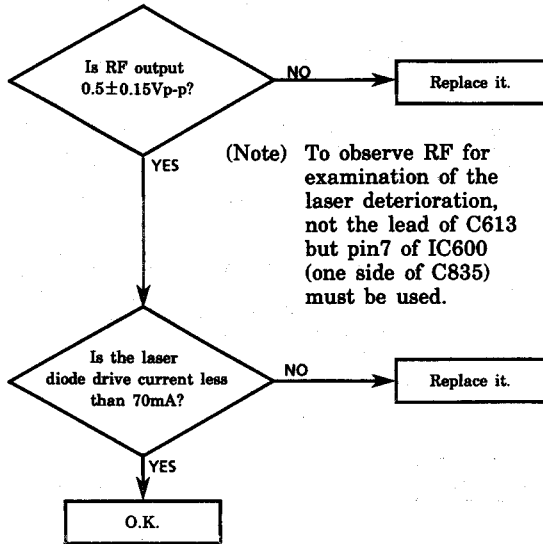


Maintenance of Laser Pickup

(1) Life of the laser diode

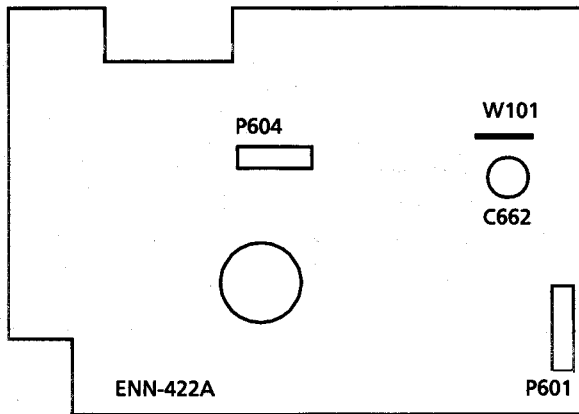
When the life of the laser diode has expired, the following symptoms will appear.

1. The level of RF output (EFM output: amplitude of eye pattern) will be low.
2. The drive current required by the laser diode will be increased. In such a case, check the life of the laser diode following the flowchart below.



(2) Measurement of laser diode drive current

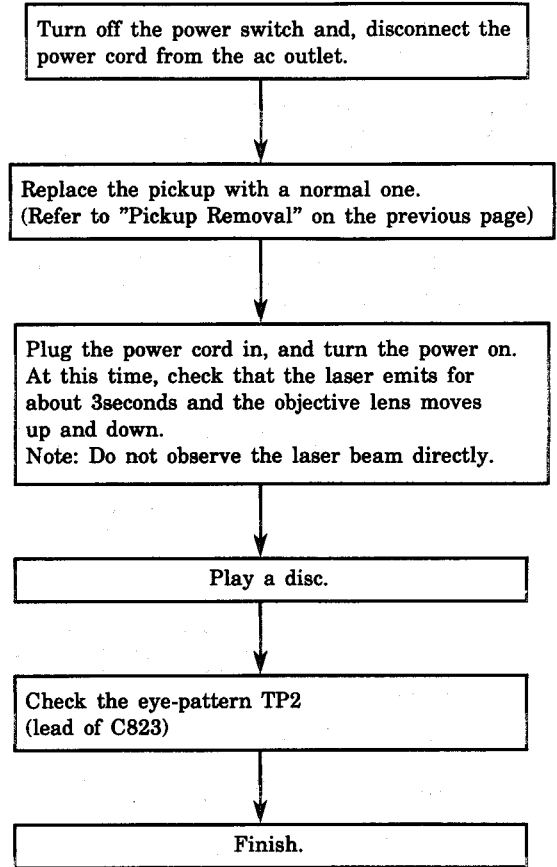
Replace the jump wire (W101) shown below with the resistor (1Ω). Measure the voltage across the resistor (1Ω) with a milli-voltmeter. When the voltage is more than 70mV, it shows that the life of the laser diode has expired.



(3) Semi-fixed resistor on the APC PC board

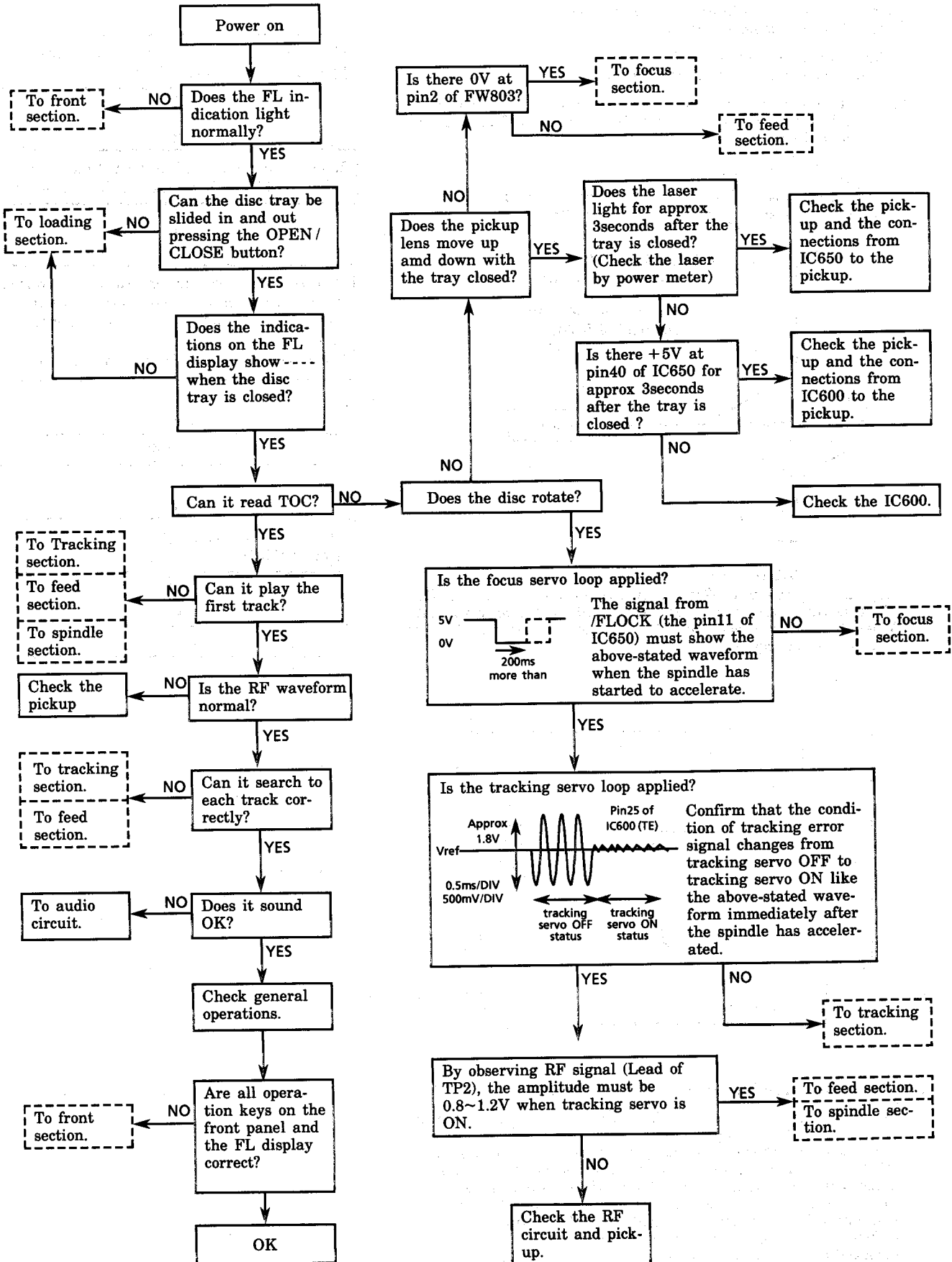
The semi-fixed resistor on the APC printed circuit board which is attached to the pickup is used to adjust the laser power. Since this adjustment should be performed to match the characteristics of the whole optical block, do not touch the semi-fixed resistor. If the laser power is lower than the specified value, the laser diode is almost worn out, and the laser pickup should be replaced. If the semi-fixed resistor is adjusted while the pickup is functioning normally, the laser pickup may be damaged due to excessive current.

Replacement of Laser Pickup

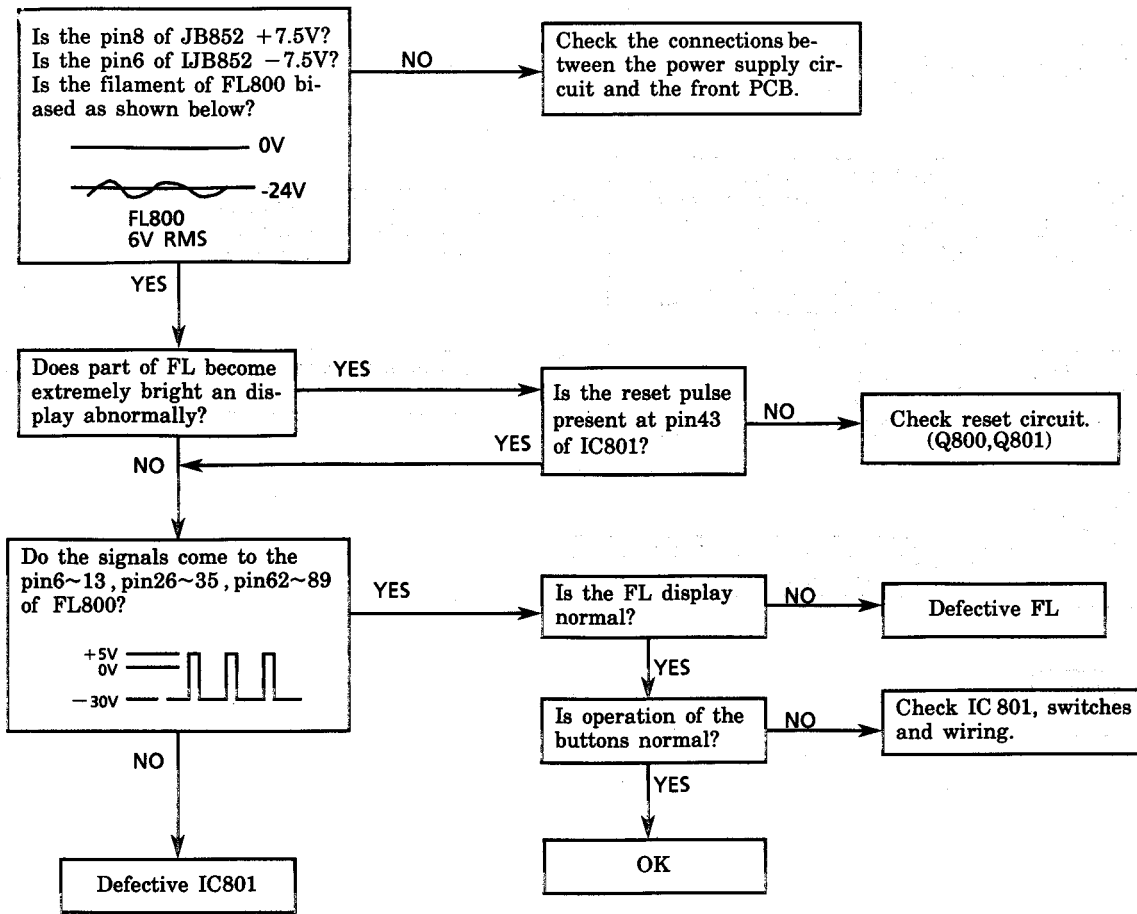


Troubleshooting

The following shows the status of the various circuits from turning on the power to the start of disc play.

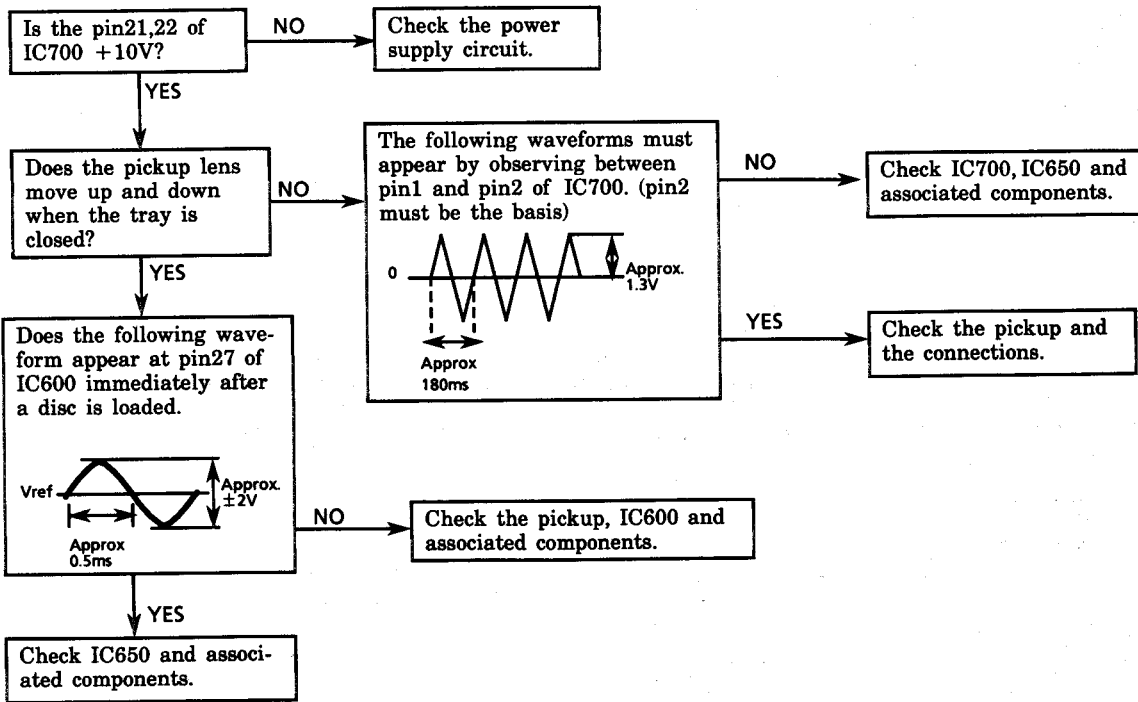


Front Section

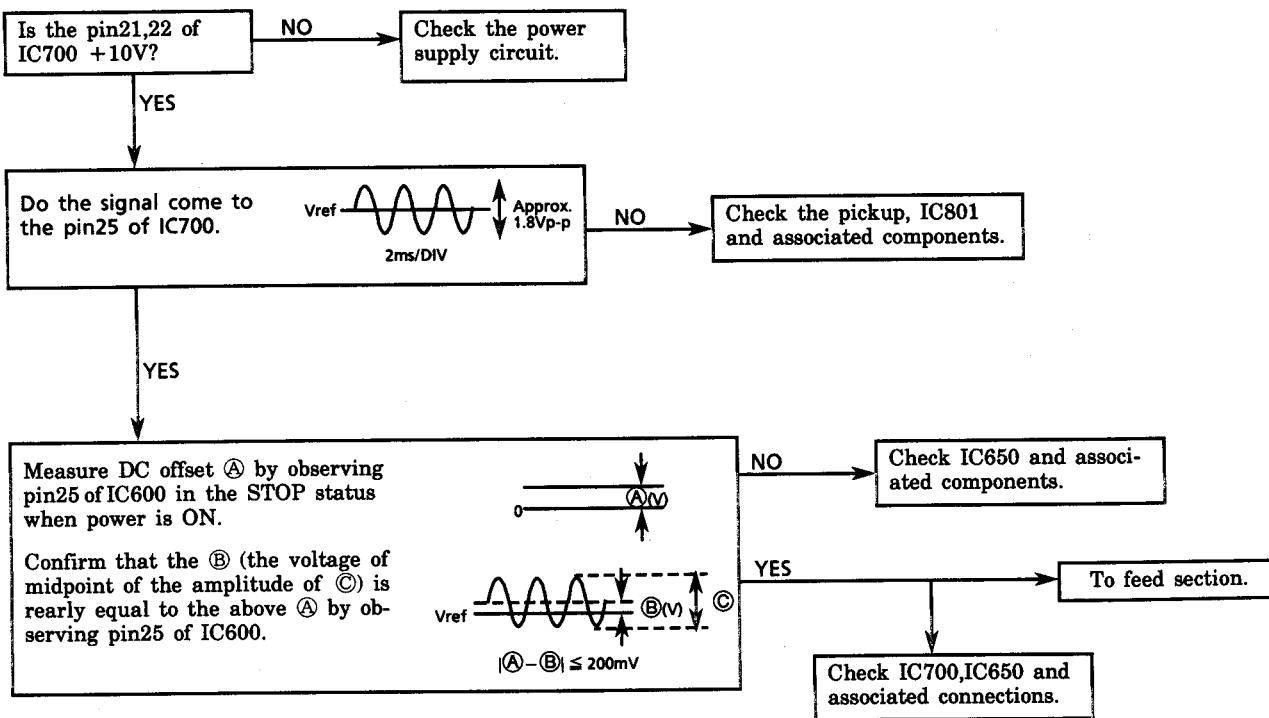


Focus section

Note) When checking the voltages between pin1 and pin2 of IC700 with an oscilloscope, do not connect the other probes.

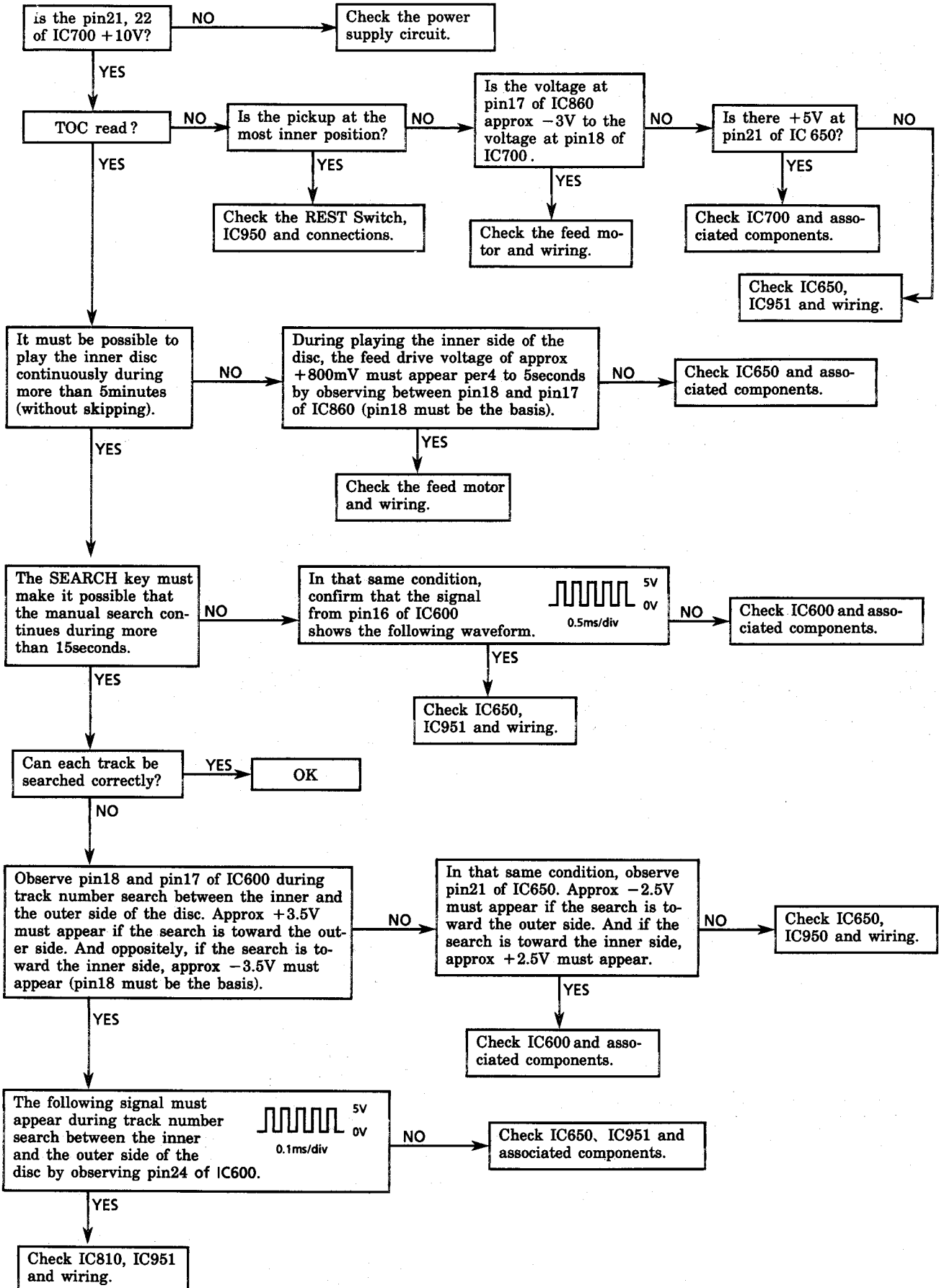


Tracking section



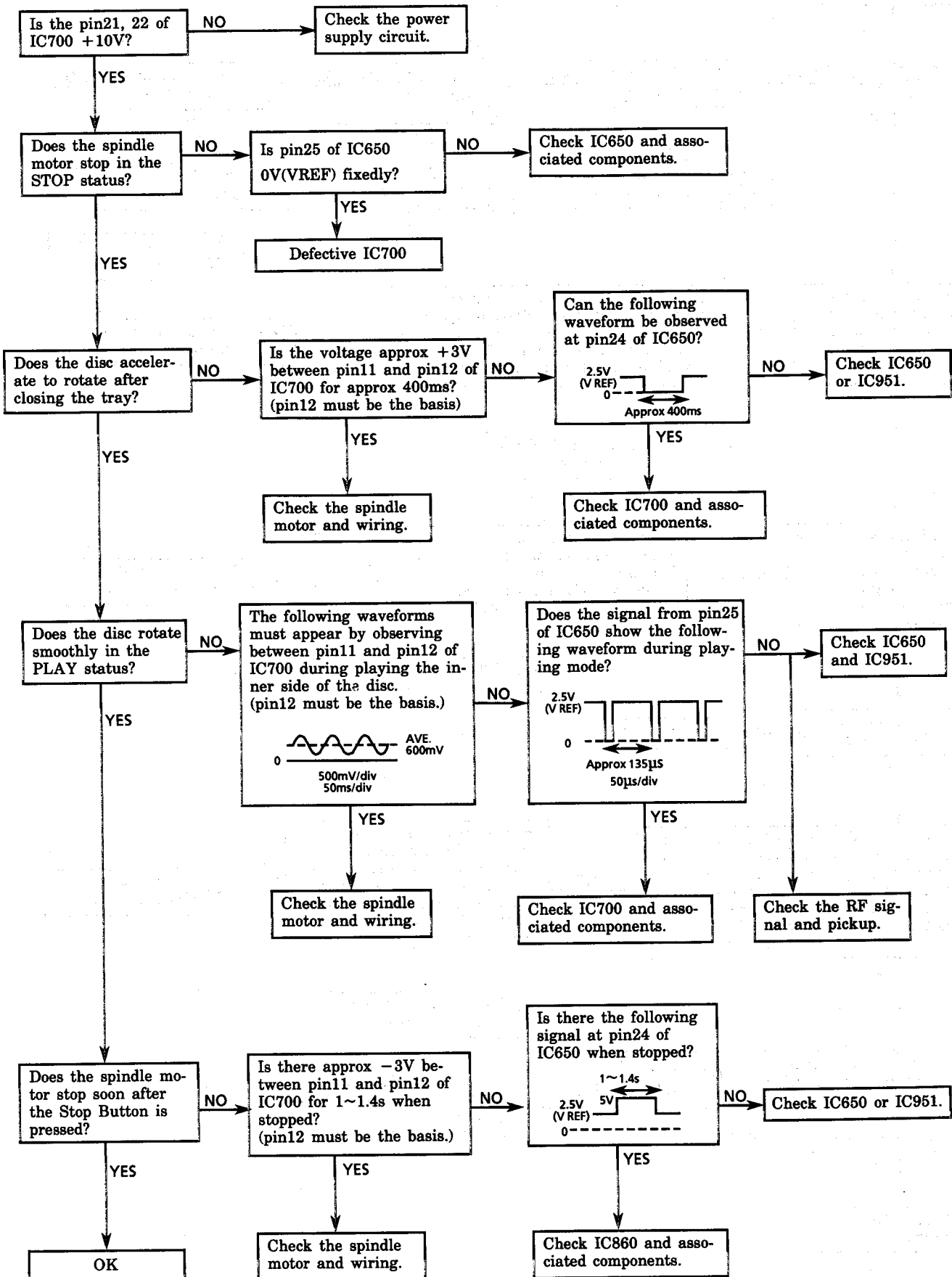
Feed section

Note) When checking the voltages between pin18 and pin17 of IC860 with an oscilloscope, do not connect the other probes.

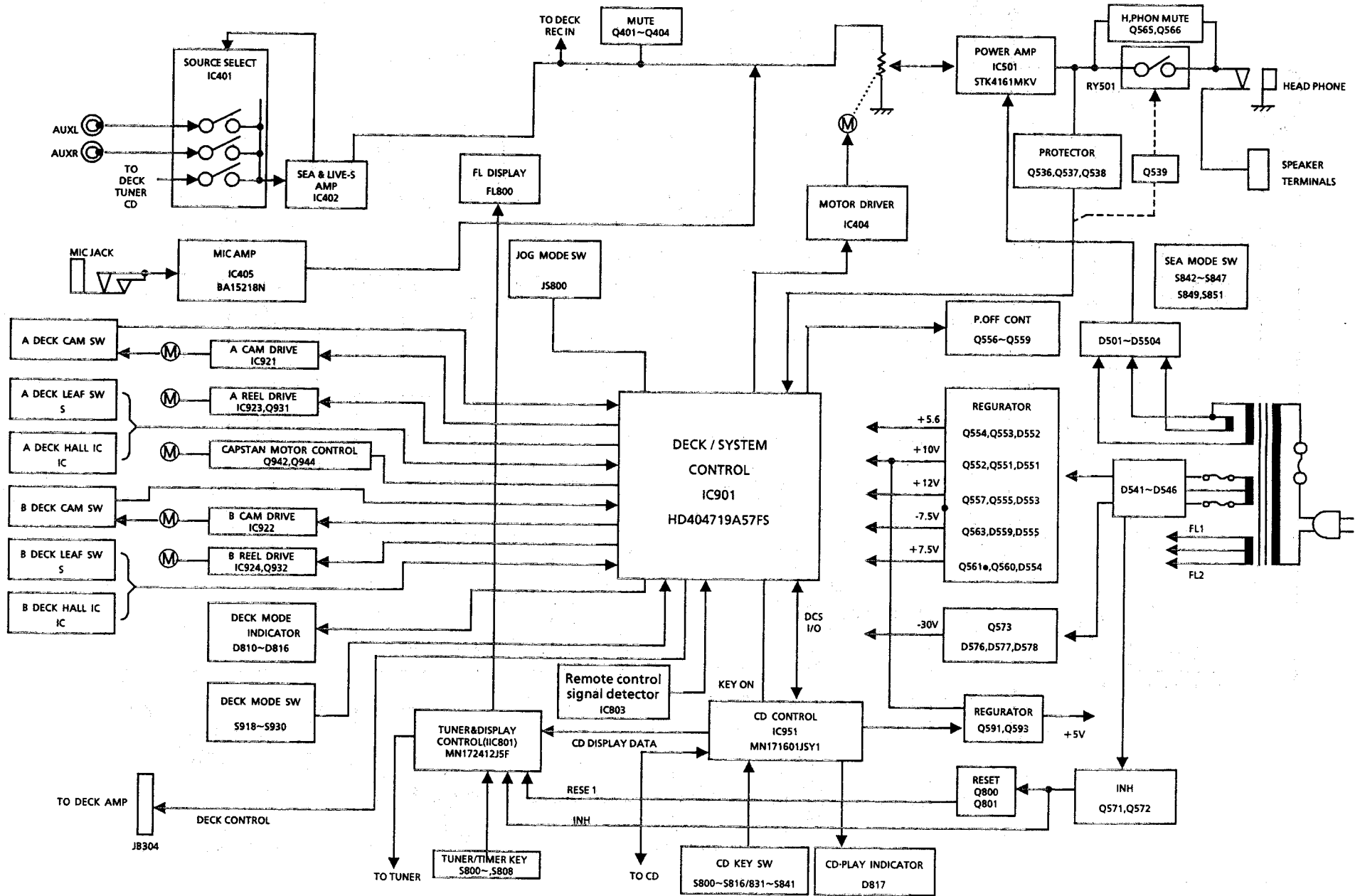


Spindle section

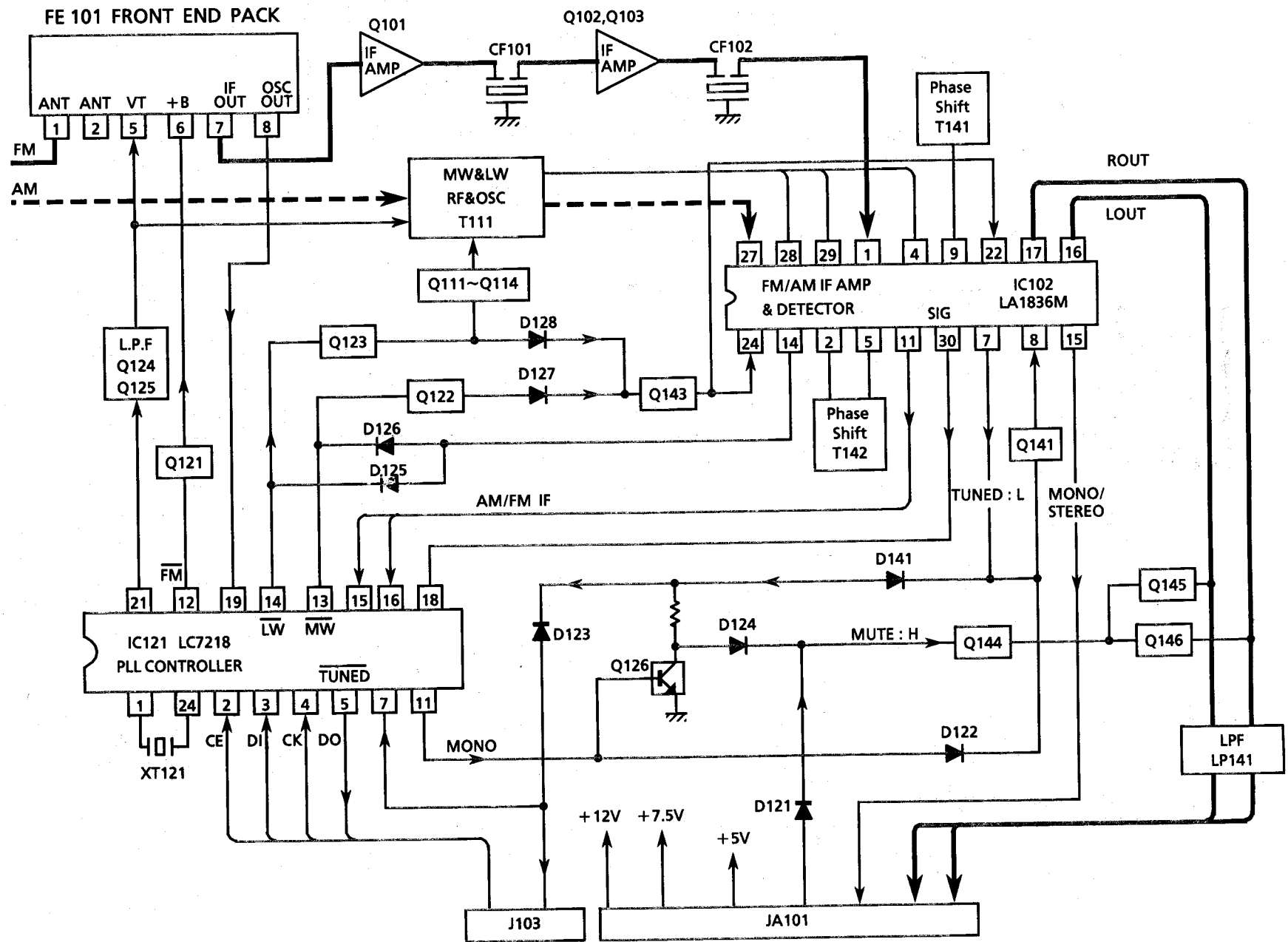
Note) When checking the voltages between pin11 and pin12 of IC860 with an oscilloscope, do not connect the other probes.



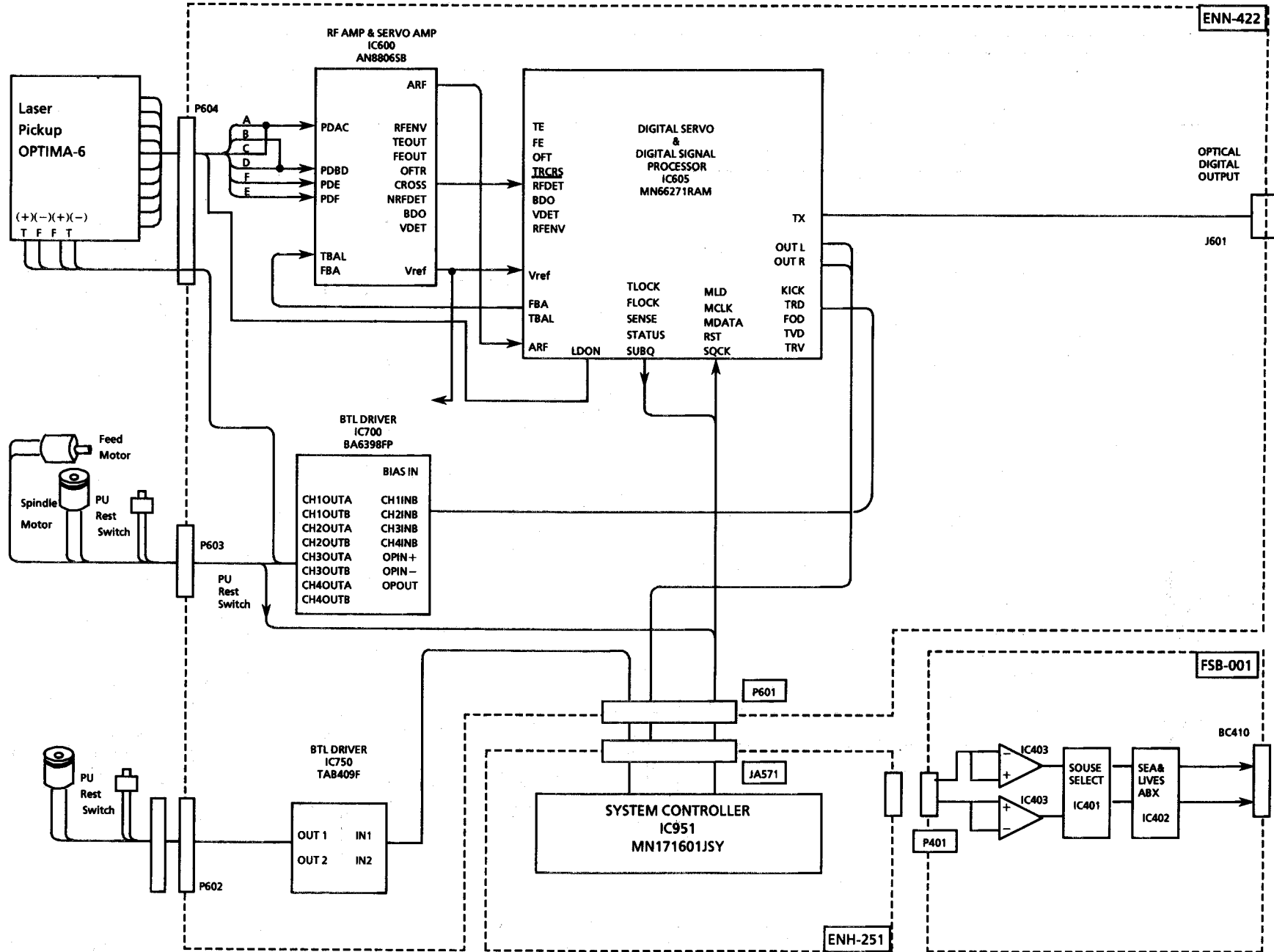
System Control & Audio Section



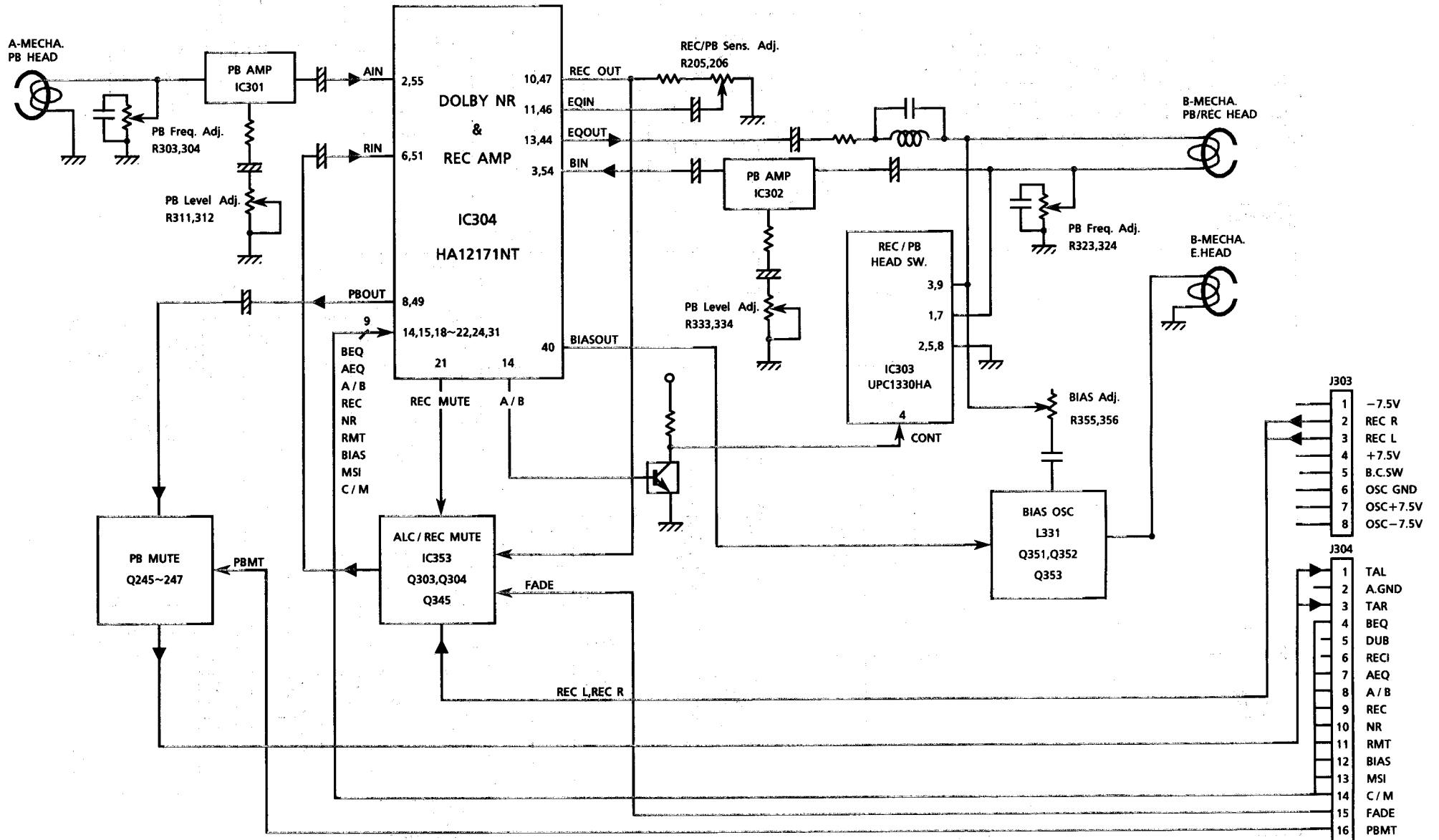
■ Tuner Section



■ CD Section



■ Cassette deck section



PARTS LIST

※ All printed circuit boards and its assemblies are not available as service parts.

Contents

General Exploded View and Parts List	2-2
Cassette Mechanism Ass'y and Parts List	2-7
■ Grease Point	2-7
CD Mechanism Ass'y and Parts List	2-10
■ Grease Point	2-10
Printed Circuit Board Ass'y and Parts List	2-12
■ ENH-251 □ Control & Amp PC Board Ass'y	2-12
■ FSB-001 □ Front & Audio Selector PC Board Ass'y	2-19
■ ENN-422 <input checked="" type="checkbox"/> CD Servo PC Board Ass'y	2-23
■ ENJ-083 □ Deck Control PC Board Ass'y	2-25
■ ENA-159 □ Tuner PC Board Ass'y	2-27
Accessories List	2-30
Packing Materials and Part Numbers	2-31

Parts List

Item	Part Number	Part Name	Q'ty	Description	Area
1	EFP-CAS200E(S)	FRONT PANEL ASSY	1		
	EFP-CAS200U(S)	FRONT PANEL ASSY	1		
1-1	E102901-002SS	FRONT PANEL	1		U,US,UT
	E102901-003SS	FRONT PANEL	1		Except U,US,UT
1-2	E208234-003SS	WINDOW SCREEN	1		
1-3	E69777-003	REFLECTION PLATE	2		
1-4	E406971-221	JVC MARK	1		
2	FSJT2003-001SA	CASSETTE LID ASSY	1		
2-1	FSJT2003-001	CASSETTE LID	1		
2-2	E406971-221	JVC MARK	1		
3	FSJT2004-001	CASSETTE LID ASSY	1		
4	E207972-004SS	CASSETTE HOLDER	1		
5	E207973-004SS	CASSETTE HOLDER	1		
6	E406713-001	CASSETTE SPRING	4		
7	E208236-001	FITTING	1		
8	E102358-332SS	CD TRAY	1		
9	SBSF3008Z	TAPPING SCREW	7		
10	FSXP3016-001	JOG KNOB	1		
11	E309084-004SS	VOLUME KNOB	1		
12	E408303-001	REMOTE LENS	1		
13	E304434-005	DAMPER ASSY	2		
14	E208244-002SS	PUSH BUTTON ASSY	1	DECK B	
15	E208238-002SS	PUSH BUTTON ASSY	1		BS,EF,EN,G,GI,VX
	E208238-003SS	PUSH BUTTON ASSY	1		A,C,J,U,US,UT
16	E309079-002SS	PUSH BUTTON	1	SEA	
17	VWF1225-20TTB	FLAT WIRE ASSY	1		
18	SDSF2608Z	SCREW	24		
19	E208241-002SS	PUSH BUTTON ASSY	1	DECK A	
20	E408306-001	INDICATOR	1	REC	
21	E408305-001	INDICATOR	1	DOLBY	
22	E308681-002SS	EJECT LEVER	1	A MECHA	
23	E308682-002SS	EJECT LEVER	1	B MECHA	
24	E407798-002	SPRING	1		
25	E308683-002	EJECT GUIDE	1		
26	E208247-006	PUSH BUTTON ASSY	1	CD	
27	E309082-002SS	EJECT BUTTON	1	DECK B	
28	E309081-002SS	EJECT BUTTON	1	DECK A	
29	E208256-001	HOLDER BKT	1		
30	FSKW4002-001	HOLDER SPRING	1		
31	FSKW4003-001	HOLDER SPRING	1		
32	GBSF3006Z	TAPPING SCREW	2		
33	E407801-002	SPRING	1	A MECHA	
34	E407799-001	EJECT SAFTY	1		
35	E407802-002	SPRING	1	B MECHA	
36	E407800-001	EJECT SAFTY	1		
37	E408393-001	SHIELD PLATE	1		
38	VKZ4001-111S	WIRE CLAMP	1		
39		CASSETTE MECHANISM ASSY	1	See page 2-7	
40	SBST3006Z	TAPPING SCREW	9		
41	GBSG3008Z	TAPPING SCREW	2		
42	VWF1219-25TTB	FLAT WIRE ASSY	1		
43	E102903-001	CHASSIS BASE	1		
44	E75896-006	FELT SPACER	2		
45	E75896-001	SPACER	1		
46	SBSF2608Z	TAPPING SCREW	3		

△	Item	Part Number	Part Name	Q'ty	Description	Area
	47	-----	CD MCHANISM ASSY	1	See page 2-10	
	48	EWS265-B412	SOCKET WIRE	1		
	49	EWS266-B410	SOCKET WIRE	1		
	50	EWR615M-08BBJ2	FLAT WIRE ASSY	1		
	51	E406293-001	SPECIAL SCREW	1		
	52	E207356-222	REAR COVER	1		J,C
		E207356-223SS	REAR COVER	1		Except J,C
	53	E306837-005	CLAMPER ASSY	1		
	53-1	E306836-003	YOKE PLATE	1		
	53-2	E74897-002	MAGNET	1		
	53-3	E26756-002	CLAMPER BASE	1		
	53-4	E306835-001	CD CLAMPER	1		
△	54	ETP1070-36EAJ	POWER TRANSFORMER	1		A,EF,EN,G,GI,VX
△		ETP1070-36EJBS	POWER TRANSFORMER	1		BS
△		ETP1070-36JAJ	POWER TRANSFORMER	1		J,C
△		ETP1070-36FAJ	POWER TRANSFORMER	1		U,US,UT
△	55	E408279-001	SPECIAL SCREW	4		
△	56	QMF51E2-1R25	FUSE	2	F501,502(T1.25A/250V)	Except BS,J,C
△		QMF51E2-1R2J1BS	FUSE	2	F501,502(T1.2A/250V)	BS
△		QMF0007-1R6J1	FUSE	2	F501,502(T1.6A/125V)	J,C
△	57	QMF51E2-1R0J1	FUSE	1	F001(T1.0A/250V)	A,EF,EN,G,GI,VX
△		QMF51E2-1R0J1BS	FUSE	1	F001(T1.0A/250V)	BS
△		QMF0007-2R0J1	FUSE	1	F001(T1.0A/125V)	J,C
△		QMF51E2-2R0	FUSE	1	F001(T2.0A/250V)	U,US,UT
	58	SBSG3014Z	TAPPING SCREW	4		
	59	E406969-221SS	LEAF SPRING	1		
△	60	FSJC3007-001	HEAT SINK	1		
△	61	QHS3876-162	CORD STOPPER	1		Except BS
		QHS3876-162BS	CORD STOPPER	1		BS
	62	VWF1223-20TTB	FLAT WIRE ASSY	1		
	63	SPST2604Z	TAPPING SCREW	4		
	64	SDSG3006M	TAPPING SCREW	8		
	65	E208260-002	METAL COVER	1		
△	66	QMP25F0-244	POWER CORD	1		A
△		QMP1D00-200H	POWER CORD	1		J,C
△		QMP3900-200	POWER CORD	1		EF,EN,G,GI,US,VX
△		QMP5530-0085BS	POWER CORD	1		BS
△		QMP7520-200	POWER CORD	1		U,UT
	67	E102904-017SS	REAR PANEL	1		J
		E102904-018SS	REAR PANEL	1		C
		E102904-019SS	REAR PANEL	1		U,US,UT
		E102904-020SS	REAR PANEL	1		EF,EN,G,GI,BS
		E102904-021SS	REAR PANEL	1		A
		E102904-022SS	REAR PANEL	1		VX
	68	E73273-003	SPECIAL SCREW	11		
		E73273-003	SPECIAL SCREW	2		U,US,UT
	69	SBSG3006Z	TAPPING SCREW	2		
	70	E406507-001	CAUTION LABEL	1		
	71	FSXP3017-001	MIC KNOB	1		U,US,UT
△	72	QMF51E2-1R0J1	FUSE	1	F002(T1.0A/250V)	U,US,UT
	-	E61029-005	NUMBER LABEL	1		Except J
	-	E307570-001	NUMBER LABEL	1		J
	-	E70891-001	CLASS 1 LABEL	1		
	-	QZL1007-001	BEAB LABEL	1		BS
	-	E65507-001	CAUTION LABEL	1		C

△	Item	Part Number	Part Name	Q'ty	Description	Area
	-	E67199-001	CAUTION LABEL	1		J
	-	E408632-002	RATING LABEL	1		C
	-	QZL1031-101	LABEL	1		EF
	-	E70027-001	LABEL	1		EN
	-	E75139-004	NAME LABEL	1		U
	-	FSYN9008-002	LABEL	2		UT

△ : Safety Parts

The Marks for Designated Areas

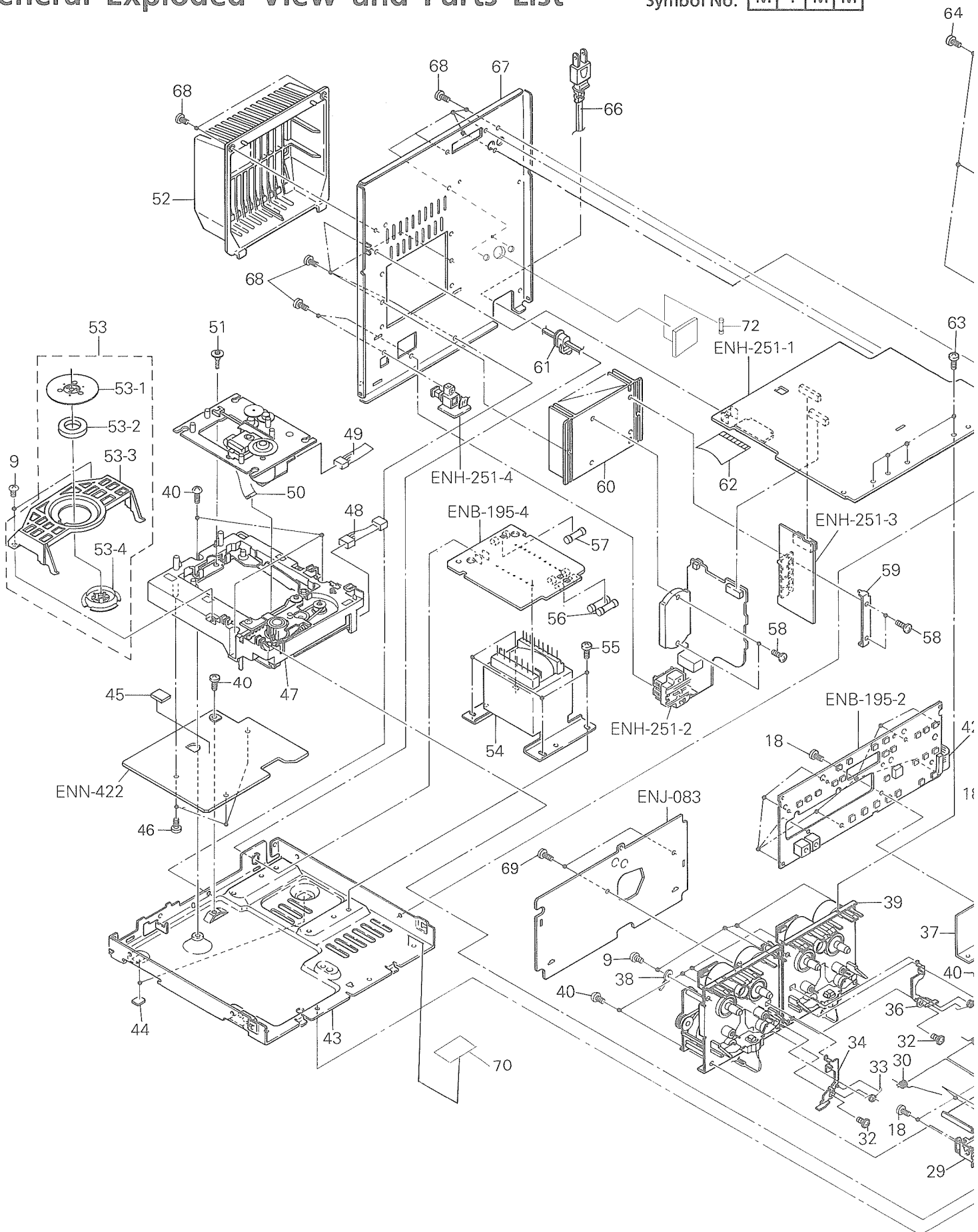
A	Australia	BS	the U.K.	C	Canada	EF	Continental Europe
EN	Scandinavia	G	Germany	GI	Italy	J	the U.S.A.
U	Universal Type	US	Singapore	UT	Taiwan	VX	East Europe

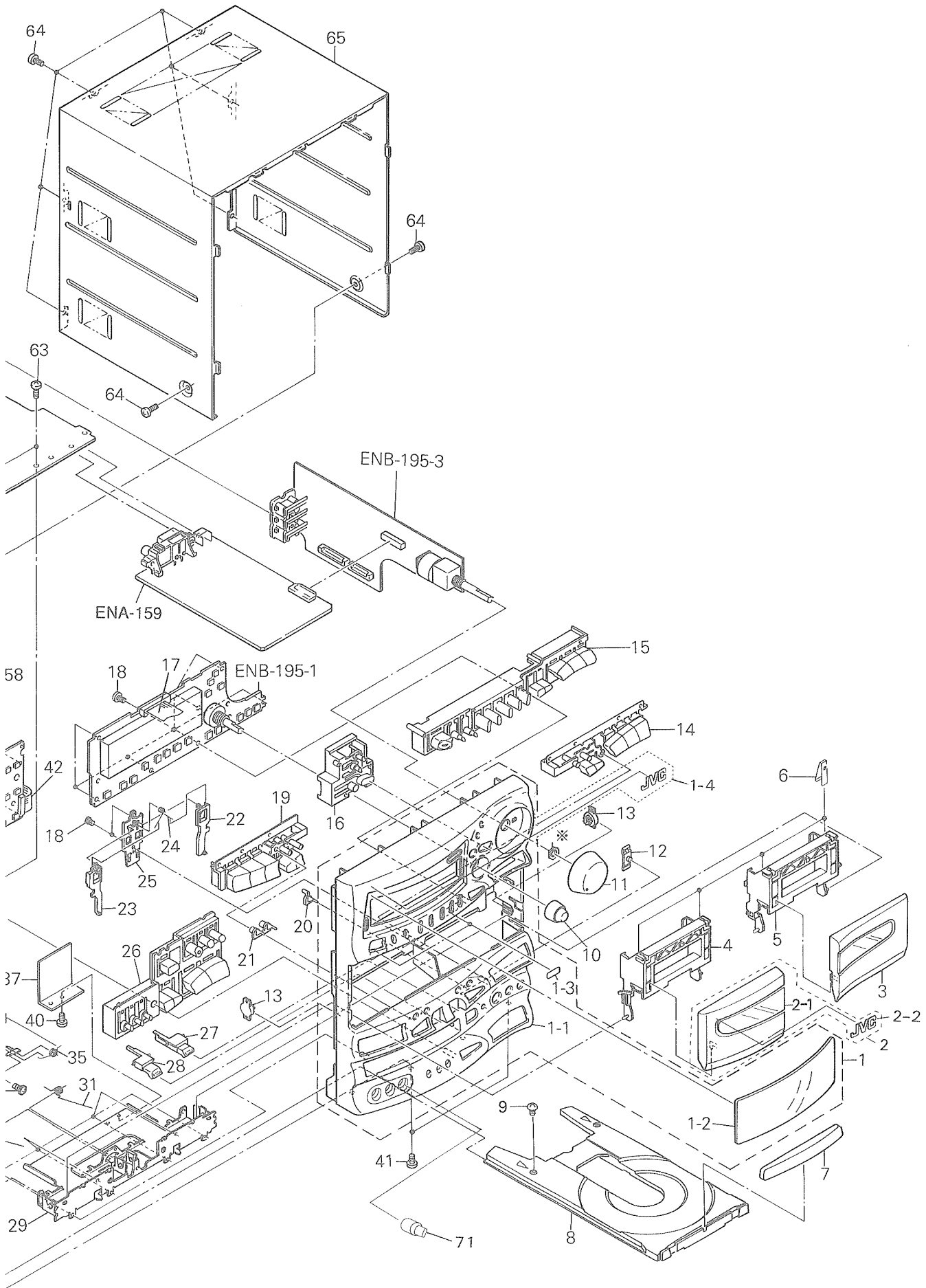
No mark indicates all area.

General Exploded View and Parts List

Symbol No.

M	1	M	M
---	---	---	---





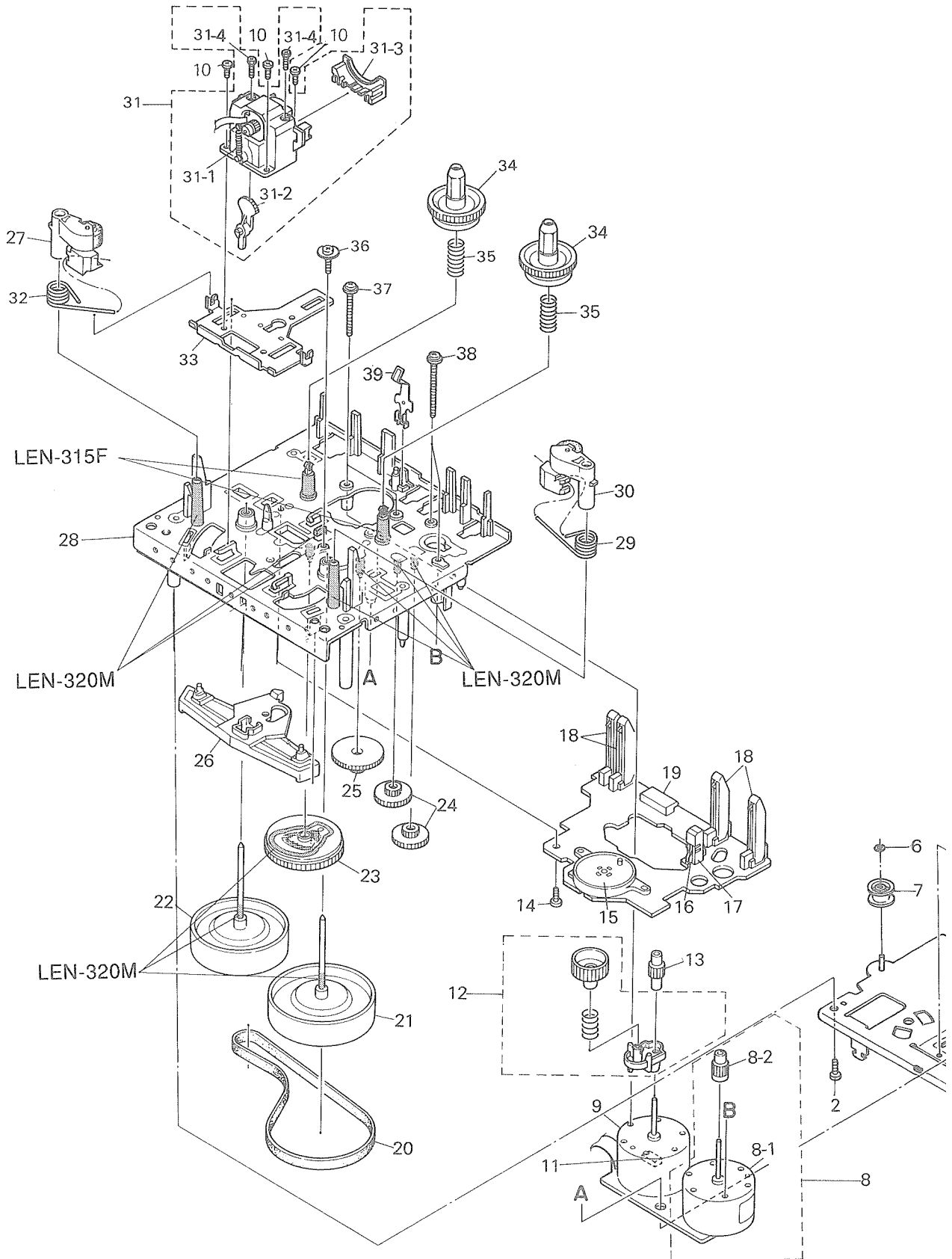
※ mark indicates attached part.

Cassette Mechanism Ass'y and Parts List

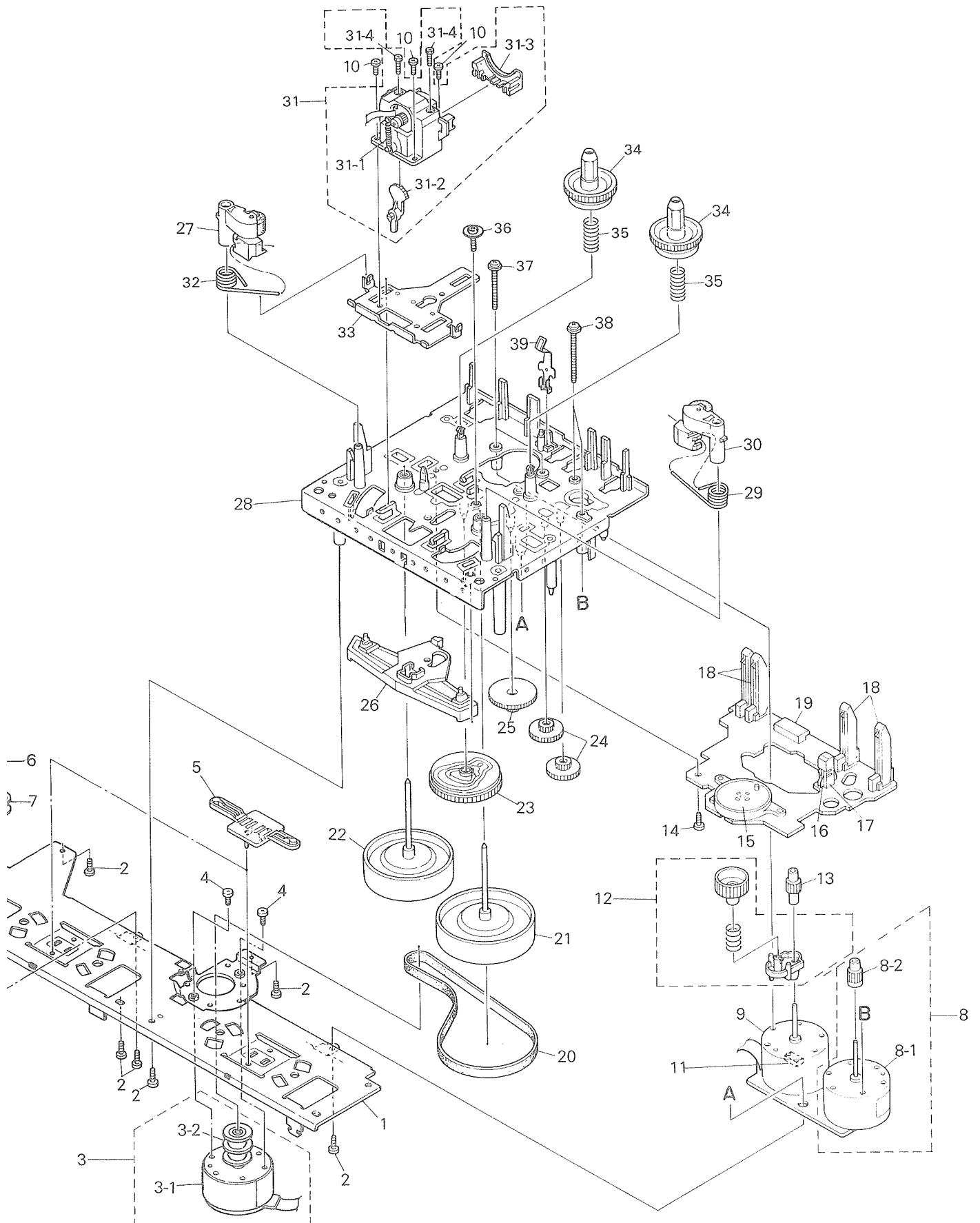
Symbol No.

M	2	M	M
---	---	---	---

■ Grease Point



VI



■ Parsts List (Cassette Mechanism Ass'y)

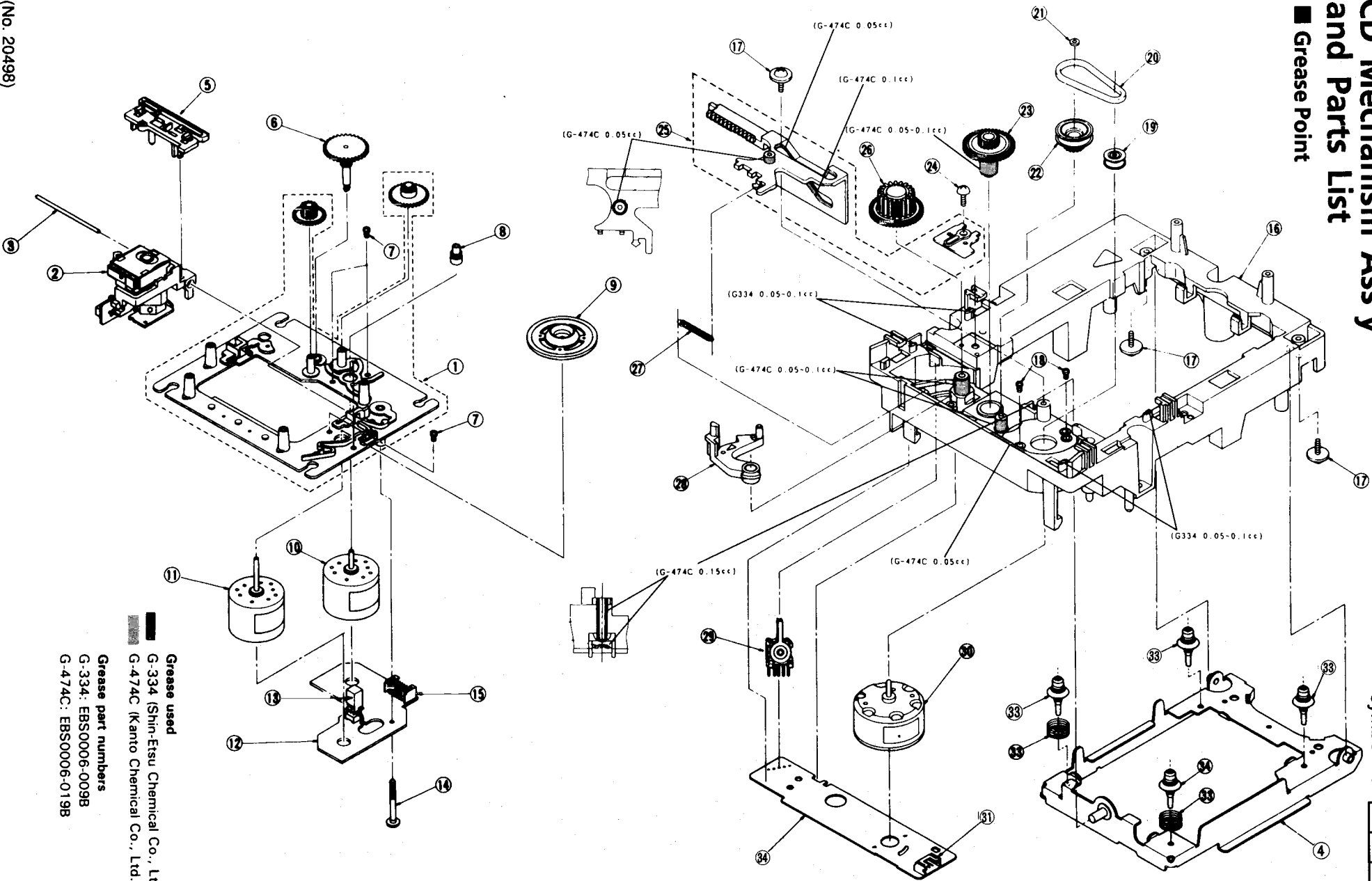
△	Item	Part Number	Part Name	Q'ty	Description	Area
	1	VKM3775-00A	FM. BKT. ASS'Y	1		
	2	SDSF2608Z	SCREW	7		
	3	MSI5U2LWA-SA1	DC MOTOR ASSY	1		
	3-1	MSI-5U2LWA	DC MOTOR	1		
	3-2	VKR4632-003MM	MOTOR PULLEY	1		
	4	SPSP2603Z	WOOD SCREW	2		
	5	VKS5327-005MM	LOCK PLATE	2		
	6	WDL163525-4	WASHER	1		
	7	VKR4631-005MM	IDLER PULLEY	1		
	8	MSN5D257A-SA1	DC MOTOR ASSY	1		
	8-1	MSN-5D257A	DC MOTOR	2		
	8-2	VKS5433-001	ACTUATER MOTOR GEAR	2		
	9	MMN-6F4RA38	DC MOTOR	2		
	10	SDSR2004Z	SCREW	6		
	11	VMC0234-R08	CONNECT TERMINAL	2		
	12	VKS5430-00CMM	F.F/REW.ARM	2		
	13	VKS5432-001	REEL MOTOR GEAR	2		
	14	SDST2612Z	SCREW	2		
	15	VKS3616-00A	CAM SWITCH	2		
	16	DN6851-HI	I.C(M)	2		
	17	VKS3630-001MM	I.C.PROTECTOR	2		
	18	MXS00220MVLO	CASSETTE SWITCH	7		
	19	VMC0234-R11	CONNECT TERMINAL	1	A MECHA	
	19	VMC0234-R14	CONNECT TERMINAL	1	B MECHA	
	20	VKB3001-064	DRIVE BELT	1	A MECHA	
	20	VKB3001-065	DRIVE BELT	1	B MECHA	
	21	VKF3184-00H	FLYWHEELASSY	2	RIGHT	
	22	VKF3186-00H	FLYWHEELASSY	2	LEFT	
	23	VKS2224-002	CONTROL CAM	2		
	24	VKS5454-001	ACTUATER GEAR	4		
	25	VKS5455-001	ACTUATER GEAR	2		
	26	VKS3627-001	PINCH ROLLER LEVER	2		
	27	VKP4229-00B	PINCH ROLLER	2	LEFT	
	28	VKS1134-00B	CHASSIS BASE	2		
	29	VKW5045-003	PINCH ROLLER SPRING	2	RIGHT	
	30	VKP4227-00B	PINCH ROLLER ASSY	2	RIGHT	
	31	VKS3701-00AMM	H.MOUNT ASS'Y	1	A MECHA	
		VKS3682-00BMM	H.MOUNT ASS'Y	1	B MECHA	
	31-1	VKW5126-001	HEAD SPRING	2		
	31-2	VKS3670-001	CONNECT GEAR	2		
	31-3	VKS3671-001	HEAD COVER	2		
	31-4	VKZ4730-001	SPECIAL SCREW	4		
	32	VKW5046-003	PINCH ROLLER SPRING	2	LEFT	
	33	VKM3632-001	HEAD BASE	2		
	34	VKS3617-002	REEL DISK	4		
	35	VKW5043-001	TENSION SPRING	4		
	36	VKZ4708-001	SPECIAL SCREW	2		
	37	VKZ4705-101	SCREW	4		
	38	VKZ4705-102	SCREW	4		
	39	VKY4670-001	SPRING	2		

CD Mechanism Ass'y and Parts List

■ Grease Point

Symbol No.

M	3	M	M
---	---	---	---



Grease used

■ G-334 (Shin-Etsu Chemical Co., Ltd.)
 ■ G-474C (Kanto Chemical Co., Ltd.)

Grease part numbers

G-334: EBS0006-009B
 G-474C: EBS0006-019B

Symbol No.

M	3	M	M
---	---	---	---

■ Parts List (CD Mechanism Ass'y)

Item	Part Number	Part Name	Q'ty	Description	Area
1	E102501-221SS	MECHANISM BASE ASSY	1		
2	OPTIMA-6S	PICK UP ASSY	1		
3	E406777-001	GUIDE SHAFT	1		
4	E307179-222	LOADING BASE ASSY	1		
5	E307746-001	CD RACK	1		
6	E307745-221SS	GEAR (3)	1		
7	SDSP2003N	SCREW	4		
8	E406750-221SS	PINION GEAR	1		
9	E75807-302	TURN TABLE	1		
10	MDN-4RA3ETA-1	FEED MOTOR	1		
11	E406783-001	SPINDLE MOTOR	1		
12	EMW10190-221(S)	MOTOR PC BOARD	1		
13	ESB1100-005	LEAF SWITCH	1		
14	E75832-001	SPECIAL SCREW	1		
15	EMV5109-006B	CONNECTOT	1	6PIN	
16	E102357-221	LOADING BASE	1		
17	E65923-003	SCREW	3		
18	SPSK2640Z	SCREW	1		
19	E75984-001	MOTOR PULLY	1		
20	E75950-002	REEL BELT	1		
21	E72024-001	SPEED NUT	1		
22	E75985-001	DRIVE GEAR	1		
23	E75986-002	REEL GEAR	1		
24	SBSF3008Z	SCREW	1		
25	E307252-221	CAM PLATE	1		
26	E75987-001	REEL GEAR	1		
27	E75989-001	SPRING	1		
28	E307162-221	ACTION LEVER	1		
29	ESS1200-002	SLIDE SWITCH	1		
30	MMN-6F1LB8Q	LOADING MOTOR	1		
31	EMV5109-005B	PLUG ASSY	1	5PIN	
32	E406871-001	SPRING	2		
33	E406294-002	INSULATOR	4		
34	EMW10264-002(S)	MOTOR ASSY	1		
35	SDSF2006Z	SCREW	1		

Note (1)

PC Board Ass'y	Version	Designated Areas
ENH-251 [B]	J C	the U.S.A. Canada
ENH-251 [C]	BS	the U.K.
ENH-251 [D]	A	Australia
ENH-251 [E]	EN EF	Scandinavia Continental Europe
ENH-251 [F]	U UT US	Universal Type Taiwan Singapore
ENH-251 [G]	G GI	Germany Italy
ENH-251 [H]	VX	East Europe

TRANSISTORS

ITEM	PART NUMBER	DESCRIPTION	AREA
Q501	DTA143XS	DIGITAL TRA ROHM	
Q502	DTA143XS	DIGITAL TRA ROHM	
Q536	DTC123ES	DIGITAL TRA ROHM	
Q537	2SC1740S(R,S)	SI. TRANSIST ROHM	
Q538	2SA933S(RS)	SI. TRANSIST	
Q539	2SC1740S(R,S)	SI. TRANSIST ROHM	
Q551	2SC1740S(R,S)	SI. TRANSIST ROHM	
Q552	2SD2061(F,G)	SI. TRANSIST ROHM	
Q553	2SC1740S(R,S)	SI. TRANSIST ROHM	
Q554	2SD2061(E,F)	SILICON	
Q555	2SD2037(E,F)	SI. TRANSIST ROHM	
Q556	DTC144ES	DIGITAL TRA ROHM	
Q557	DTA144ES	DIGITAL TRA ROHM	
Q558	DTA144ES	DIGITAL TRA ROHM	
Q559	DTC144ES	DIGITAL TRA ROHM	
Q560	2SC1740S(R,S)	SI. TRANSIST ROHM	
Q561	2SD2061(E,F)	SILICON	
Q563	2SB1187(F,G)	SI. TRANSIST ROHM	
Q565	2SD2144S(VW)	SI. TRANSIST ROHM	
Q566	2SD2144S(VW)	SI. TRANSIST ROHM	
Q567	DTA114TS	DIGITAL TRA ROHM	
Q571	DTC114YS	DIGITAL TRA ROHM	
Q572	DTC114YS	DIGITAL TRA ROHM	
Q573	2SA934(Q,R)	SI. TRANSIST ROHM	
Q591	2SD2061(E,F)	SILICON	
Q592	DTA144ES	DIGITAL TRA ROHM	
Q593	DTC144ES	DIGITAL TRA ROHM	
Q800	DTC114YS	DIGITAL TRA ROHM	
Q801	DTC144ES	DIGITAL TRA ROHM	
Q912	DTC144ES	DIGITAL TRA ROHM	
Q931	DTC144ES	DIGITAL TRA ROHM	
Q932	DTC144ES	DIGITAL TRA ROHM	
Q942	2SC1740S(R,S)	SI. TRANSIST ROHM	
Q944	2SA933S(RS)	SI. TRANSIST	
Q1034	DTC144ES	DIGITAL TRA ROHM	U
Q1034	DTC144ES	DIGITAL TRA ROHM	US
Q1034	DTC144ES	DIGITAL TRA ROHM	UT
Q1035	DTC144ES	DIGITAL TRA ROHM	U
Q1035	DTC144ES	DIGITAL TRA ROHM	US
Q1035	DTC144ES	DIGITAL TRA ROHM	UT
Q1036	DTC144ES	DIGITAL TRA ROHM	U
Q1036	DTC144ES	DIGITAL TRA ROHM	US
Q1036	DTC144ES	DIGITAL TRA ROHM	UT
Q1037	DTC144ES	DIGITAL TRA ROHM	U
Q1037	DTC144ES	DIGITAL TRA ROHM	US
Q1037	DTC144ES	DIGITAL TRA ROHM	UT
Q1051	2SC1740S(R,S)	SI. TRANSIST ROHM	U
Q1051	2SC1740S(R,S)	SI. TRANSIST ROHM	US
Q1051	2SC1740S(R,S)	SI. TRANSIST ROHM	UT
Q1052	2SC1740S(R,S)	SI. TRANSIST ROHM	U
Q1052	2SC1740S(R,S)	SI. TRANSIST ROHM	US
Q1052	2SC1740S(R,S)	SI. TRANSIST ROHM	UT

△ SAFETY PARTS

I. C. S.

ITEM	PART NUMBER	DESCRIPTION	AREA
IC501	STK4141MK5	I.C(HYBRID) SANYO	
IC901	HD404719A57FS	I.C(MICRO-C 0050	
IC921	LB1641	I.C(DIGI-OT SANYO	
IC922	LB1641	I.C(DIGI-OT SANYO	
IC923	LB1641	I.C(DIGI-OT SANYO	
IC924	LB1641	I.C(DIGI-OT SANYO	
IC951	MN171601JYS1	I.C(M) MATSUSHITA	
IC998	BA7725S	I.C(MONO-AN ROHM	U
IC998	BA7725S	I.C(MONO-AN ROHM	US
IC998	BA7725S	I.C(MONO-AN ROHM	UT
IC999	BU9251S	I.C(M) ROHM	U
IC999	BU9251S	I.C(M) ROHM	US
IC999	BU9251S	I.C(M) ROHM	UT

△ SAFETY PARTS

DIODES

ITEM	PART NUMBER	DESCRIPTION	AREA
D501	10E2-FD	DIODE NIHONINTER	
D502	10E2-FD	DIODE NIHONINTER	
D503	10E2-FD	DIODE NIHONINTER	
D504	10E2-FD	DIODE NIHONINTER	
D519	1SS133	SI. DIODE ROHM	
D537	1SS133	SI. DIODE ROHM	
D538	MTZ24JC	ZENER DIODE ROHM	
D541	1SR139-200	SI. DIODE ROHM	
D542	1SR139-200	SI. DIODE ROHM	
D543	1SR139-200	SI. DIODE ROHM	
D544	1SR139-200	SI. DIODE ROHM	
D545	1SR139-200	SI. DIODE ROHM	
D546	1SR139-200	SI. DIODE ROHM	
D551	MTZ11JC	ZENER DIODE ROHM	
D552	MTZ6.8JC	ZENER DIODE ROHM	
D553	MTZ13JC	ZENER DIODE ROHM	
D554	MTZ9.1JC	ZENER DIODE ROHM	
D555	MTZ8.2JC	ZENER DIODE ROHM	
D574	MTZ5.1JC	ZENER DIODE ROHM	
D575	1SS133	SI. DIODE ROHM	
D576	MTZ30JC	ZENER DIODE ROHM	
D577	1SR139-200	SI. DIODE ROHM	
D578	1SR139-200	SI. DIODE ROHM	
D579	MTZ5.1JC	ZENER DIODE ROHM	
D580	1SS133	SI. DIODE ROHM	
D581	1SS133	SI. DIODE ROHM	
D582	1SS133	SI. DIODE ROHM	
D591	MTZ5.6JB	ZENER DIODE ROHM	
D592	1SR139-200	SI. DIODE ROHM	
D593	1SR139-200	SI. DIODE ROHM	
D595	MA700	SI. DIODE MATSUSHITA	
D801	1SS133	SI. DIODE ROHM	
D807	1SS133	SI. DIODE ROHM	
D901	1SS133	SI. DIODE ROHM	
D902	1SS133	SI. DIODE ROHM	
D903	1SS133	SI. DIODE ROHM	
D904	1SS133	SI. DIODE ROHM	
D951	1SS133	SI. DIODE ROHM	
D952	1SS133	SI. DIODE ROHM	
D999	1SS133	SI. DIODE ROHM	
D1031	MTZ5.1JC	ZENER DIODE ROHM	U
D1031	MTZ5.1JC	ZENER DIODE ROHM	US
D1031	MTZ5.1JC	ZENER DIODE ROHM	UT

△ SAFETY PARTS

CAPACITORS

ITEM	PART NUMBER	DESCRIPTION	AREA
C501	QEBB1HM-106	10MF 50V AL E. CAPAC	
C502	QETB1HM-106	10MF 50V E. CAPACITO	
C503	QCB1HK-221Y	220PF 50V CER. CAPACI	
C504	QCB1HK-221Y	220PF 50V CER. CAPACI	
C505	QCB1HK-331Y	330PF 50V CER. CAPACI	A
C505	QCB1HK-331Y	330PF 50V CER. CAPACI	BS
C505	QCB1HK-101Y	100PF 50V CER. CAPACI	C
C505	QCB1HK-331Y	330PF 50V CER. CAPACI	EF
C505	QCB1HK-331Y	330PF 50V CER. CAPACI	EN
C505	QCB1HK-331Y	330PF 50V CER. CAPACI	G
C505	QCB1HK-331Y	330PF 50V CER. CAPACI	GI
C505	QCB1HK-101Y	100PF 50V CER. CAPACI	J
C505	QCB1HK-101Y	100PF 50V CER. CAPACI	U
C505	QCB1HK-101Y	100PF 50V CER. CAPACI	US
C505	QCB1HK-101Y	100PF 50V CER. CAPACI	UT
C505	QCB1HK-331Y	330PF 50V CER. CAPACI	VX
C506	QCB1HK-331Y	330PF 50V CER. CAPACI	A
C506	QCB1HK-331Y	330PF 50V CER. CAPACI	BS
C506	QCB1HK-101Y	100PF 50V CER. CAPACI	C
C506	QCB1HK-331Y	330PF 50V CER. CAPACI	EF

△ SAFETY PARTS

CAPACITORS

Δ	ITEM	PART NUMBER	DESCRIPTION			AREA
	C506	QCBB1HK-331Y	330PF	50V	CER.CAPACI	EN
	C506	QCBB1HK-331Y	330PF	50V	CER.CAPACI	G
	C506	QCBB1HK-331Y	330PF	50V	CER.CAPACI	GI
	C506	QCBB1HK-101Y	100PF	50V	CER.CAPACI	J
	C506	QCBB1HK-101Y	100PF	50V	CER.CAPACI	U
	C506	QCBB1HK-101Y	100PF	50V	CER.CAPACI	US
	C506	QCBB1HK-101Y	100PF	50V	CER.CAPACI	UT
	C506	QCBB1HK-331Y	330PF	50V	CER.CAPACI	VX
	C507	QEH1EM-107	100MF	25V	E.CAPACITO	
	C508	QEH1EM-107	100MF	25V	E.CAPACITO	
	C509	QCSB1HK-4R7Y	4.7PF	50V	CER.CAPACI	
	C510	QCSB1HK-4R7Y	4.7PF	50V	CER.CAPACI	
	C511	QETB1HM-226E	22MF	50V	E.CAPACITO	
	C512	QEH1HM-226	22MF	50V	E.CAPACITO	
	C513	QETB1HM-476	47MF	50V	E.CAPACITO	
	C514	QETB1HM-106	10MF	50V	E.CAPACITO	
	C515	QFV81HJ-104	0.1MF	50V	THIN FILM	A
	C515	QFV81HJ-104	0.1MF	50V	THIN FILM	BS
	C515	QFV81HJ-104	0.1MF	50V	THIN FILM	EF
	C515	QFV81HJ-104	0.1MF	50V	THIN FILM	EN
	C515	QFV81HJ-104	0.1MF	50V	THIN FILM	G
	C515	QFV81HJ-104	0.1MF	50V	THIN FILM	GI
	C515	QFV81HJ-104	0.1MF	50V	THIN FILM	U
	C515	QFV81HJ-104	0.1MF	50V	THIN FILM	US
	C515	QFV81HJ-104	0.1MF	50V	THIN FILM	UT
	C515	QFV81HJ-104	0.1MF	50V	THIN FILM	VX
	C516	QFV81HJ-104	0.1MF	50V	THIN FILM	A
	C516	QFV81HJ-104	0.1MF	50V	THIN FILM	BS
	C516	QFV81HJ-104	0.1MF	50V	THIN FILM	EF
	C516	QFV81HJ-104	0.1MF	50V	THIN FILM	EN
	C516	QFV81HJ-104	0.1MF	50V	THIN FILM	G
	C516	QFV81HJ-104	0.1MF	50V	THIN FILM	GI
	C516	QFV81HJ-104	0.1MF	50V	THIN FILM	U
	C516	QFV81HJ-104	0.1MF	50V	THIN FILM	US
	C516	QFV81HJ-104	0.1MF	50V	THIN FILM	UT
	C516	QFV81HJ-104	0.1MF	50V	THIN FILM	VX
	C517	QFV81HJ-104	0.1MF	50V	THIN FILM	A
	C517	QFV81HJ-104	0.1MF	50V	THIN FILM	BS
	C517	QFN81HJ-473	0.047MF	50V	METAL.MYLA	C
	C517	QFV81HJ-104	0.1MF	50V	THIN FILM	EF
	C517	QFV81HJ-104	0.1MF	50V	THIN FILM	EN
	C517	QFV81HJ-104	0.1MF	50V	THIN FILM	GI
	C517	QFN81HJ-473	0.047MF	50V	METAL.MYLA	J
	C517	QFV81HJ-104	0.1MF	50V	THIN FILM	U
	C517	QFV81HJ-104	0.1MF	50V	THIN FILM	US
	C517	QFV81HJ-104	0.1MF	50V	THIN FILM	UT
	C517	QFV81HJ-104	0.1MF	50V	THIN FILM	VX
	C518	QFV81HJ-104	0.1MF	50V	THIN FILM	A
	C518	QFV81HJ-104	0.1MF	50V	THIN FILM	BS
	C518	QFN81HJ-473	0.047MF	50V	METAL.MYLA	C
	C518	QFV81HJ-104	0.1MF	50V	THIN FILM	EF
	C518	QFV81HJ-104	0.1MF	50V	THIN FILM	EN
	C518	QFV81HJ-104	0.1MF	50V	THIN FILM	G
	C518	QFV81HJ-104	0.1MF	50V	THIN FILM	GI
	C518	QFN81HJ-473	0.047MF	50V	METAL.MYLA	J
	C518	QFV81HJ-104	0.1MF	50V	THIN FILM	U
	C518	QFV81HJ-104	0.1MF	50V	THIN FILM	US
	C518	QFV81HJ-104	0.1MF	50V	THIN FILM	UT
	C518	QFV81HJ-104	0.1MF	50V	THIN FILM	VX
	C519	QETB1HM-106	10MF	50V	E.CAPACITO	
	C520	QFN82AJ-103	0.01MF	100V	MYLAR CAPA	A
	C520	QFV82AJ-104	0.1MF	100V	THIN FILM	BS
	C520	QFN82AJ-103	0.01MF	100V	MYLAR CAPA	C
	C520	QFV82AJ-104	0.1MF	100V	THIN FILM	EF
	C520	QFV82AJ-104	0.1MF	100V	THIN FILM	EN
	C520	QFN82AJ-103	0.01MF	100V	MYLAR CAPA	G
	C520	QFN82AJ-103	0.01MF	100V	MYLAR CAPA	J
	C520	QFN82AJ-103	0.01MF	100V	MYLAR CAPA	U
	C520	QFN82AJ-103	0.01MF	100V	MYLAR CAPA	US
	C520	QFN82AJ-103	0.01MF	100V	MYLAR CAPA	UT
	C520	QFN82AJ-103	0.01MF	100V	MYLAR CAPA	VX
	C522	QFN82AJ-103	0.01MF	100V	MYLAR CAPA	A
	C522	QFV82AJ-104	0.1MF	100V	THIN FILM	BS
	C522	QFN82AJ-103	0.01MF	100V	MYLAR CAPA	C
	C522	QFV82AJ-104	0.1MF	100V	THIN FILM	EF
	C522	QFV82AJ-104	0.1MF	100V	THIN FILM	EN
	C522	QFV82AJ-104	0.1MF	100V	THIN FILM	G
	C522	QFV82AJ-104	0.1MF	100V	THIN FILM	GI
	C522	QFN82AJ-103	0.01MF	100V	MYLAR CAPA	J
	C522	QFN82AJ-103	0.01MF	100V	MYLAR CAPA	U
	C522	QFN82AJ-103	0.01MF	100V	MYLAR CAPA	US
	C522	QFN82AJ-103	0.01MF	100V	MYLAR CAPA	UT
	C522	QFN82AJ-103	0.01MF	100V	MYLAR CAPA	VX

Δ : SAFETY PARTS

CAPACITORS

Δ	ITEM	PART NUMBER	DESCRIPTION			AREA
	C522	QFN82AJ-103	0.01MF	100V	MYLAR CAPA	UT
	C522	QFV82AJ-104	0.1MF	100V	THIN FILM	VX
	C523	EET4202-228E	2200MF		E.CAPACITO	A
	C523	EET4202-228E	2200MF		E.CAPACITO	BS
	C523	EET4202-338	3300MF		ELECTRO	C
	C523	EET4202-228E	2200MF		E.CAPACITO	EF
	C523	EET4202-228E	2200MF		E.CAPACITO	EN
	C523	EET4202-228E	2200MF		E.CAPACITO	G
	C523	EET4202-228E	2200MF		E.CAPACITO	GI
	C523	EET4202-338	3300MF		E.CAPACITO	J
	C523	EET4202-228E	2200MF		E.CAPACITO	U
	C523	EET4202-228E	2200MF		E.CAPACITO	US
	C523	EET4202-228E	2200MF		E.CAPACITO	UT
	C523	EET4202-228E	2200MF		E.CAPACITO	VX
	C524	EET4202-228E	2200MF		E.CAPACITO	A
	C524	EET4202-228E	2200MF		E.CAPACITO	BS
	C524	EET4202-338	3300MF		E.CAPACITO	C
	C524	EET4202-228E	2200MF		E.CAPACITO	EF
	C524	EET4202-228E	2200MF		E.CAPACITO	EN
	C524	EET4202-228E	2200MF		E.CAPACITO	G
	C524	EET4202-228E	2200MF		E.CAPACITO	GI
	C524	EET4202-338	3300MF		E.CAPACITO	J
	C524	EET4202-228E	2200MF		E.CAPACITO	U
	C524	EET4202-228E	2200MF		E.CAPACITO	US
	C524	EET4202-228E	2200MF		E.CAPACITO	UT
	C524	EET4202-228E	2200MF		E.CAPACITO	VX
	C525	QCXB1CM-222Y	2200PF	16V	CER.CAPACI	BS
	C525	QCXB1CM-222Y	2200PF	16V	CER.CAPACI	EF
	C525	QCXB1CM-222Y	2200PF	16V	CER.CAPACI	EN
	C525	QCXB1CM-222Y	2200PF	16V	CER.CAPACI	G
	C525	QCXB1CM-222Y	2200PF	16V	CER.CAPACI	GI
	C525	QCXB1CM-222Y	2200PF	16V	CER.CAPACI	U
	C525	QCXB1CM-222Y	2200PF	16V	CER.CAPACI	US
	C525	QCXB1CM-222Y	2200PF	16V	CER.CAPACI	UT
	C525	QCXB1CM-222Y	2200PF	16V	CER.CAPACI	VX
	C526	QCXB1CM-222Y	2200PF	16V	CER.CAPACI	A
	C526	QCXB1CM-222Y	2200PF	16V	CER.CAPACI	BS
	C526	QCXB1CM-222Y	2200PF	16V	CER.CAPACI	EF
	C526	QCXB1CM-222Y	2200PF	16V	CER.CAPACI	EN
	C526	QCXB1CM-222Y	2200PF	16V	CER.CAPACI	G
	C526	QCXB1CM-222Y	2200PF	16V	CER.CAPACI	GI
	C526	QCXB1CM-222Y	2200PF	16V	CER.CAPACI	U
	C526	QCXB1CM-222Y	2200PF	16V	CER.CAPACI	US
	C527	QFV81HJ-104	0.1MF	50V	THIN FILM	A
	C527	QFV81HJ-104	0.1MF	50V	THIN FILM	BS
	C527	QFN81HJ-223	0.022MF	50V	METAL.MYLA	C
	C527	QFV81HJ-104	0.1MF	50V	THIN FILM	EF
	C527	QFV81HJ-104	0.1MF	50V	THIN FILM	EN
	C527	QFV81HJ-104	0.1MF	50V	THIN FILM	GI
	C527	QFN81HJ-223	0.022MF	50V	METAL.MYLA	J
	C527	QFN81HJ-223	0.022MF	50V	METAL.MYLA	U
	C527	QFN81HJ-223	0.022MF	50V	METAL.MYLA	US
	C527	QFN81HJ-223	0.022MF	50V	METAL.MYLA	UT
	C527	QFN81HJ-223	0.022MF	50V	METAL.MYLA	VX
	C528	QFV81HJ-104	0.1MF	50V	THIN FILM	A
	C528	QFV81HJ-104	0.1MF	50V	THIN FILM	BS
	C528	QFN81HJ-223	0.022MF	50V	METAL.MYLA	C
	C528	QFV81HJ-104	0.1MF	50V	THIN FILM	EF
	C528	QFV81HJ-104	0.1MF	50V	THIN FILM	EN
	C528	QFV81HJ-104	0.1MF	50V	THIN FILM	G
	C528	QFV81HJ-104	0.1MF	50V	THIN FILM	GI
	C528	QFN81HJ-223	0.022MF	50V	METAL.MYLA	J
	C528	QFN81HJ-223	0.022MF	50V	METAL.MYLA	U
	C528	QFN81HJ-223	0.022MF	50V	METAL.MYLA	US
	C528	QFN81HJ-223	0.022MF	50V	METAL.MYLA	UT
	C528	QFN81HJ-223	0.022MF	50V	METAL.MYLA	VX
	C529	QFN81HJ-223	0.022MF	50V	METAL.MYLA	A
	C529	QFN81HJ-223	0.022MF	50V	METAL.MYLA	BS
	C529	QFN81HJ-223	0.022MF	50V	METAL.MYLA	EF
	C529	QFN81HJ-223	0.022MF	50V	METAL.MYLA	EN
	C529	QFN81HJ-223	0.022MF	50V	METAL.MYLA	G
	C529	QFN81HJ-223	0.022MF	50V	METAL.MYLA	GI
	C529	QFN81HJ-223	0.022MF	50V	METAL.MYLA	VX
	C536	QETB1CM-476	47MF	16V	AL E.CAPAC	
	C537	QETB1CM-226	22MF	16V	E.CAPACITO	
	C538	QCHB1EZ-223	0.022MF	25V	CER.CAPACI	A
	C538	QCHB1EZ-223	0.022MF	25V	CER.CAPACI	BS
	C538	QCHB1EZ-223	0.022MF	25V	CER.CAPACI	EF
	C538	QCHB1EZ-223	0.022MF	25V	CER.CAPACI	EN
	C538	QCHB1EZ-223	0.022MF	25V	CER.CAPACI	G
	C538	QCHB1EZ-223	0.022MF	25V	CER.CAPACI	GI
	C538	QCHB1EZ-223	0.022MF	25V	CER.CAPACI	U
	C538	QCHB1EZ-223	0.022MF	25V	CER.CAPACI	US
	C541	QFN82AJ-103	0.01MF	100V	MYLAR CAPA	A
	C541	QFV82AJ-104	0.1MF	100V	THIN FILM	BS
	C541	QFN82AJ-103	0.01MF	100V	MYLAR CAPA	C
	C541	QFV82AJ-104	0.1MF	100V	THIN FILM	EF
	C541	QFV82AJ-104	0.1MF	100V	THIN FILM	EN
	C541	QFV82AJ-104	0.1MF	100V	THIN FILM	G
	C541	QFV82AJ-104	0.1MF	100V	THIN FILM	GI
	C541	QFN82AJ-103	0.01MF	100V	MYLAR CAPA	J
	C541	QFN82AJ-103	0.01MF	100V	MYLAR CAPA	U
	C541	QFN82AJ-103	0.01MF	100V	MYLAR CAPA	US
	C541	QFN82AJ-103	0.01MF	100V	MYLAR CAPA	UT
	C541	QFN82AJ-103	0.01MF	100V	MYLAR CAPA	VX
	C542	QFN82AJ-103	0.01MF	100V	MYLAR CAPA	A
	C542	QFV82AJ-104	0.1MF	100V	THIN FILM	BS
	C542	QFN82AJ-103	0.01MF	100V	MYLAR CAPA	C
	C542	QFV82AJ-104	0.1MF	100V	THIN FILM	EF
	C542	QFV82AJ-104	0.1MF	100V	THIN FILM	EN

Δ : SAFETY PARTS

CAPACITORS

ITEM	PART NUMBER	DESCRIPTION	AREA
C542	QFV82AJ-104	0.1MF 100V THIN FILM	G
C542	QFV82AJ-104	0.1MF 100V THIN FILM	GI
C542	QFN82AJ-103	0.01MF 100V MYLAR CAPA	J
C542	QFN82AJ-103	0.01MF 100V MYLAR CAPA	U
C542	QFN82AJ-103	0.01MF 100V MYLAR CAPA	US
C542	QFN82AJ-103	0.01MF 100V MYLAR CAPA	UT
C542	QFV82AJ-104	0.1MF 100V THIN FILM	VX
C543	QFN82AJ-103	0.01MF 100V MYLAR CAPA	A
C543	QFV82AJ-104	0.1MF 100V THIN FILM	BS
C543	QFN82AJ-103	0.01MF 100V MYLAR CAPA	C
C543	QFV82AJ-104	0.1MF 100V THIN FILM	EF
C543	QFV82AJ-104	0.1MF 100V THIN FILM	EN
C543	QFV82AJ-104	0.1MF 100V THIN FILM	GI
C543	QFN82AJ-103	0.01MF 100V MYLAR CAPA	J
C543	QFN82AJ-103	0.01MF 100V MYLAR CAPA	US
C543	QFN82AJ-103	0.01MF 100V MYLAR CAPA	UT
C543	QFV82AJ-104	0.1MF 100V THIN FILM	VX
C544	QETM1VM-228J7	2200MF 35V E.CAPACITO	
C545	QETM1VM-228J7	2200MF 35V E.CAPACITO	
C551	QETB1CM-226	22MF 16V E.CAPACITO	
C552	QETC1EM-106ZM	10MF 25V AL E.CAPAC	
C553	QCVB1CM-103Y	0.01MF 16V CER.CAPACI	
C554	QETB1AM-476	47MF 10V E.CAPACITO	
C555	QETB1EM-106	10MF 25V AL E.CAPAC	
C556	QCVB1CM-103Y	0.01MF 16V CER.CAPACI	
C557	QETB1CM-226	22MF 16V E.CAPACITO	
C558	QCF21HP-103A	0.01MF 50V CER.CAPACI	
C559	QETB1EM-106	10MF 25V AL E.CAPAC	
C560	QEHCIAM-476	47MF 10V E.CAPACITO	
C562	QFN81HJ-103	0.01MF 50V METAL.MYLA	
C563	QETC1EM-106	10MF 25V ELECTRO	
C564	QETB1AM-476	47MF 10V E.CAPACITO	
C565	QFN81HJ-103	0.01MF 50V METAL.MYLA	
C566	QETB1EM-106	10MF 25V AL E.CAPAC	
C571	QETB1HM-225	2.2MF 50V AL E.CAPAC	
C573	QCVB1CM-103Y	0.01MF 16V CER.CAPACI	
C574	QETB1HM-226E	22MF 50V E.CAPACITO	
C575	QETB1HM-226E	22MF 50V E.CAPACITO	
C576	QETB1JM-476	47MF 63V AL E.CAPAC	
C577	QETB1JM-107	100MF 63V AL E.CAPAC	
C578	QETB1HM-475E	4.7MF 50V E.CAPACITO	
C580	QETBOJM-228	2200MF 6.3V AL E.CAPAC	
C591	QETB1AM-476	47MF 10V E.CAPACITO	
C592	QCVB1CM-103Y	0.01MF 16V CER.CAPACI	
C595	QCF21HP-103A	0.01MF 50V CER.CAPACI	
C596	QCF21HP-103A	0.01MF 50V CER.CAPACI	
C802	QER61HM-105Z	1MF 50V AL E.CAPAC	
C901	QETB1AM-107	100MF 10V AL E.CAPAC	
C902	QCVB1CM-155Z	1.5MF 16V CERAMIC	
C921	QCVB1CM-103Y	0.01MF 16V CER.CAPACI	
C922	QCVB1CM-103Y	0.01MF 16V CER.CAPACI	
C923	QCVB1CM-103Y	0.01MF 16V CER.CAPACI	
C924	QCVB1CM-103Y	0.01MF 16V CER.CAPACI	
C925	QCHB1EZ-223	0.022MF 25V CER.CAPACI	
C926	QCHB1EZ-223	0.022MF 25V CER.CAPACI	
C927	QCHB1EZ-223	0.022MF 25V CER.CAPACI	
C928	QCHB1EZ-223	0.022MF 25V CER.CAPACI	
C941	QETB1CM-107	100MF 16V AL E.CAPAC	
C942	QETB1CM-107	100MF 16V AL E.CAPAC	
C951	QETB1AM-107	100MF 10V AL E.CAPAC	
C952	QCVB1CM-103Y	0.01MF 16V CER.CAPACI	
C953	QCVB1CM-103Y	0.01MF 16V CER.CAPACI	
C999	QETB1CM-476	47MF 16V AL E.CAPAC	
C1002	QETB1CM-226	22MF 16V E.CAPACITO	U
C1002	QETB1CM-226	22MF 16V E.CAPACITO	US
C1002	QETB1CM-226	22MF 16V E.CAPACITO	UT
C1003	QFN81HJ-104	0.1MF 50V METAL.MYLA	U
C1003	QFN81HJ-104	0.1MF 50V METAL.MYLA	US
C1003	QFN81HJ-104	0.1MF 50V METAL.MYLA	UT
C1004	QETB1HM-474	0.47MF 50V ELECTRO	U
C1004	QETB1HM-474	0.47MF 50V ELECTRO	US
C1004	QETB1HM-474	0.47MF 50V ELECTRO	UT
C1005	QCXB1CM-562Y	5600PF 16V CER.CAPACI	U
C1005	QCXB1CM-562Y	5600PF 16V CER.CAPACI	US
C1005	QCXB1CM-562Y	5600PF 16V CER.CAPACI	UT
C1006	QCGB1HK-821	820PF 50V CER.CAPACI	U
C1006	QCGB1HK-821	820PF 50V CER.CAPACI	US
C1006	QCGB1HK-821	820PF 50V CER.CAPACI	UT
C1007	QFN81HJ-183	0.018MF 50V METAL.MYLA	U
C1007	QFN81HJ-183	0.018MF 50V METAL.MYLA	US
C1007	QFN81HJ-183	0.018MF 50V METAL.MYLA	UT
C1008	QFN81HJ-104	0.1MF 50V METAL.MYLA	U
C1008	QFN81HJ-104	0.1MF 50V METAL.MYLA	US
C1008	QFN81HJ-104	0.1MF 50V METAL.MYLA	UT
C1009	QCVB1CM-103Y	0.01MF 16V CER.CAPACI	U
C1009	QCVB1CM-103Y	0.01MF 16V CER.CAPACI	US
C1009	QCVB1CM-103Y	0.01MF 16V CER.CAPACI	UT
C1011	QCGB1HK-821	820PF 50V CER.CAPACI	U
C1011	QCGB1HK-821	820PF 50V CER.CAPACI	US
C1011	QCGB1HK-821	820PF 50V CER.CAPACI	UT
C1012	QCVB1CM-562Y	5600PF 16V CER.CAPACI	U
C1012	QCVB1CM-562Y	5600PF 16V CER.CAPACI	US
C1012	QCVB1CM-562Y	5600PF 16V CER.CAPACI	UT

Δ : SAFETY PARTS

CAPACITORS

ITEM	PART NUMBER	DESCRIPTION	AREA
C1013	QFN81HJ-183	0.018MF 50V METAL.MYLA	U
C1013	QFN81HJ-183	0.018MF 50V METAL.MYLA	US
C1013	QFN81HJ-183	0.018MF 50V METAL.MYLA	UT
C1014	QETB1HM-474	0.47MF 50V ELECTRO	U
C1014	QETB1HM-474	0.47MF 50V ELECTRO	US
C1014	QETB1HM-474	0.47MF 50V ELECTRO	UT
C1015	QFV81HJ-104	0.1MF 50V THIN FILM	U
C1015	QFV81HJ-104	0.1MF 50V THIN FILM	US
C1015	QFV81HJ-104	0.1MF 50V THIN FILM	UT
C1016	QETB1HM-105	1MF 50V AL E.CAPAC	U
C1016	QETB1HM-105	1MF 50V AL E.CAPAC	US
C1016	QETB1HM-105	1MF 50V AL E.CAPAC	UT
C1017	QFV81HJ-104	0.1MF 50V THIN FILM	U
C1017	QFV81HJ-104	0.1MF 50V THIN FILM	US
C1017	QFV81HJ-104	0.1MF 50V THIN FILM	UT
C1018	QFN81HJ-104	0.1MF 50V METAL.MYLA	U
C1018	QFN81HJ-104	0.1MF 50V METAL.MYLA	US
C1018	QFN81HJ-104	0.1MF 50V METAL.MYLA	UT
C1019	QETB1CM-476	47MF 16V AL E.CAPAC	U
C1019	QETB1CM-476	47MF 16V AL E.CAPAC	US
C1019	QETB1CM-476	47MF 16V AL E.CAPAC	UT
C1020	QFN81HJ-104	0.1MF 50V METAL.MYLA	U
C1020	QFN81HJ-104	0.1MF 50V METAL.MYLA	US
C1020	QFN81HJ-104	0.1MF 50V METAL.MYLA	UT
C1021	QCS21HJ-221	220PF 50V CER.CAPACI	U
C1021	QCS21HJ-221	220PF 50V CER.CAPACI	US
C1021	QCS21HJ-221	220PF 50V CER.CAPACI	UT
C1022	QETB1CM-107	100MF 16V AL E.CAPAC	U
C1022	QETB1CM-107	100MF 16V AL E.CAPAC	US
C1022	QETB1CM-107	100MF 16V AL E.CAPAC	UT
C1023	QFN81HJ-103	0.01MF 50V METAL.MYLA	U
C1023	QFN81HJ-103	0.01MF 50V METAL.MYLA	US
C1023	QFN81HJ-103	0.01MF 50V METAL.MYLA	UT
C1024	QCS21HJ-101A	100PF 50V CER.CAPACI	U
C1024	QCS21HJ-101A	100PF 50V CER.CAPACI	US
C1024	QCS21HJ-101A	100PF 50V CER.CAPACI	UT
C1025	QCS21HJ-101A	100PF 50V CER.CAPACI	U
C1025	QCS21HJ-101A	100PF 50V CER.CAPACI	US
C1025	QCS21HJ-101A	100PF 50V CER.CAPACI	UT
C1051	QETB1EM-106	10MF 25V AL E.CAPAC	U
C1051	QETB1EM-106	10MF 25V AL E.CAPAC	US
C1051	QETB1EM-106	10MF 25V AL E.CAPAC	UT
C1061	QCS31HJ-391Z	390PF 50V CER.CAPACI	A
C1061	QCS31HJ-391Z	390PF 50V CER.CAPACI	BS
C1061	QCS31HJ-391Z	390PF 50V CER.CAPACI	EF
C1061	QCS31HJ-391Z	390PF 50V CER.CAPACI	EN
C1061	QCS31HJ-391Z	390PF 50V CER.CAPACI	G
C1061	QCS31HJ-391Z	390PF 50V CER.CAPACI	GI
C1062	QFV81HJ-104	0.1MF 50V THIN FILM	A
C1062	QFV81HJ-104	0.1MF 50V THIN FILM	BS
C1062	QFV81HJ-104	0.1MF 50V THIN FILM	EF
C1062	QFV81HJ-104	0.1MF 50V THIN FILM	EN
C1062	QFV81HJ-104	0.1MF 50V THIN FILM	G
C1062	QFV81HJ-104	0.1MF 50V THIN FILM	GI
C1062	QFV81HJ-104	0.1MF 50V THIN FILM	VX
C1063	QETC1EM-106ZM	10MF 25V AL E.CAPAC	U
C1063	QETC1EM-106ZM	10MF 25V AL E.CAPAC	US
C1063	QETC1EM-106ZM	10MF 25V AL E.CAPAC	UT

Δ : SAFETY PARTS

RESISTORS

ITEM	PART NUMBER	DESCRIPTION	AREA
R501	QRD161J-102	1K 1/6W CARBON RES	
R502	QRD161J-102	1K 1/6W CARBON RES	
R503	QRD161J-104	100K 1/6W CARBON RES	
R504	QRD161J-104	100K 1/6W CARBON RES	
R505	ERD004J-821Z	820 CARBON RES	
R506	ERD004J-821Z	820 CARBON RES	
R507	QRD161J-821	820 1/6W CARBON RES	
R508	QRD161J-821	820 1/6W CARBON RES	
R509	QRD161J-104	100K 1/6W CARBON RES	
R510	QRD161J-104	100K 1/6W CARBON RES	
R511	QRD161J-242	2.4K 1/6W CARBON RES	
R512	QRD161J-242	2.4K 1/6W CARBON RES	
R513	QRD161J-242	2.4K 1/6W CARBON RES	
R514	QRD161J-242	2.4K 1/6W CARBON RES	
R515	QRX014J-R22	0.22 1W METAL FILM	
R516	QRX014J-R22	0.22 1W METAL FILM	
R517	QRZ0077-101	100 1/4W FUSIBLE RE	A
R517	QRZ0077-101	100 1/4W FUSIBLE RE	BS
R517	QRD14CJ-101S	100 1/4W UNF. CARBON	C
R517	QRZ0077-101	100 1/4W FUSIBLE RE	EF
R517	QRZ0077-101	100 1/4W FUSIBLE RE	EN
R517	QRZ0077-101	100 1/4W FUSIBLE RE	G
R517	QRZ0077-101	100 1/4W FUSIBLE RE	GI
R517	QRD14CJ-101S	100 1/4W UNF. CARBON	J
R517	QRZ0077-101	100 1/4W FUSIBLE RE	U
R517	QRZ0077-101	100 1/4W FUSIBLE RE	US
R517	QRZ0077-101	100 1/4W FUSIBLE RE	UT
R517	QRZ0077-101	100 1/4W FUSIBLE RE	VX
R518	QRZ0077-100	10 1/4W FUSIBLE RE	A
R518	QRZ0077-100	10 1/4W FUSIBLE RE	BS

Δ : SAFETY PARTS

RESISTORS

Δ	ITEM	PART NUMBER	DESCRIPTION			AREA
Δ	R518	QRD14CJ-100SX	10	1/4W	UNF. CARBON	C
Δ	R518	QRZ0077-100	10	1/4W	FUSIBLE RE	EF
Δ	R518	QRZ0077-100	10	1/4W	FUSIBLE RE	EN
Δ	R518	QRZ0077-100	10	1/4W	FUSIBLE RE	G
Δ	R518	QRZ0077-100	10	1/4W	FUSIBLE RE	GI
Δ	R518	QRD14CJ-100SX	10	1/4W	UNF. CARBON	J
Δ	R518	QRZ0077-100	10	1/4W	FUSIBLE RE	U
Δ	R518	QRZ0077-100	10	1/4W	FUSIBLE RE	US
Δ	R518	QRZ0077-100	10	1/4W	FUSIBLE RE	UT
Δ	R518	QRZ0077-100	10	1/4W	FUSIBLE RE	VX
Δ	R519	QRD14CJ-222SX	2.2K	1/4W	UNF. CARBON	A
Δ	R519	QRZ0077-222X	2.2K	1/4W	FUSIBLE RE	BS
Δ	R519	QRZ0077-222X	2.2K	1/4W	FUSIBLE RE	C
Δ	R519	QRD14CJ-222SX	2.2K	1/4W	UNF. CARBON	EF
Δ	R519	QRZ0077-222X	2.2K	1/4W	FUSIBLE RE	EN
Δ	R519	QRZ0077-222X	2.2K	1/4W	FUSIBLE RE	G
Δ	R519	QRZ0077-222X	2.2K	1/4W	FUSIBLE RE	GI
Δ	R519	QRD14CJ-222SX	2.2K	1/4W	UNF. CARBON	J
Δ	R519	QRZ0077-222X	2.2K	1/4W	FUSIBLE RE	U
Δ	R519	QRZ0077-222X	2.2K	1/4W	FUSIBLE RE	US
Δ	R519	QRZ0077-222X	2.2K	1/4W	FUSIBLE RE	UT
Δ	R519	QRZ0077-222X	2.2K	1/4W	FUSIBLE RE	VX
Δ	R520	QRD14CJ-222SX	2.2K	1/4W	UNF. CARBON	A
Δ	R520	QRZ0077-222X	2.2K	1/4W	FUSIBLE RE	BS
Δ	R520	QRD14CJ-222SX	2.2K	1/4W	UNF. CARBON	C
Δ	R520	QRZ0077-222X	2.2K	1/4W	FUSIBLE RE	EF
Δ	R520	QRZ0077-222X	2.2K	1/4W	FUSIBLE RE	EN
Δ	R520	QRZ0077-222X	2.2K	1/4W	FUSIBLE RE	G
Δ	R520	QRZ0077-222X	2.2K	1/4W	FUSIBLE RE	GI
Δ	R520	QRD14CJ-222SX	2.2K	1/4W	UNF. CARBON	J
Δ	R520	QRZ0077-222X	2.2K	1/4W	FUSIBLE RE	U
Δ	R520	QRZ0077-222X	2.2K	1/4W	FUSIBLE RE	US
Δ	R520	QRZ0077-222X	2.2K	1/4W	FUSIBLE RE	UT
Δ	R520	QRZ0077-222X	2.2K	1/4W	FUSIBLE RE	VX
Δ	R521	QRD14CJ-4R7S	4.7	1/4W	UNF. CARBON	A
Δ	R522	QRD14CJ-4R7S	4.7	1/4W	UNF. CARBON	BS
Δ	R523	QRZ0077-222X	2.2K	1/4W	FUSIBLE RE	C
Δ	R523	QRZ0077-222X	2.2K	1/4W	FUSIBLE RE	EF
Δ	R523	QRD14CJ-222SX	2.2K	1/4W	UNF. CARBON	EN
Δ	R523	QRZ0077-222X	2.2K	1/4W	FUSIBLE RE	G
Δ	R523	QRZ0077-222X	2.2K	1/4W	FUSIBLE RE	GI
Δ	R523	QRD14CJ-222SX	2.2K	1/4W	UNF. CARBON	J
Δ	R523	QRZ0077-222X	2.2K	1/4W	FUSIBLE RE	U
Δ	R523	QRZ0077-222X	2.2K	1/4W	FUSIBLE RE	US
Δ	R523	QRZ0077-222X	2.2K	1/4W	FUSIBLE RE	UT
Δ	R523	QRZ0077-222X	2.2K	1/4W	FUSIBLE RE	VX
Δ	R524	QRZ0077-100	10	1/4W	FUSIBLE RE	A
Δ	R524	QRZ0077-100	10	1/4W	FUSIBLE RE	BS
Δ	R524	QRD14CJ-100SX	10	1/4W	UNF. CARBON	C
Δ	R524	QRZ0077-100	10	1/4W	FUSIBLE RE	EF
Δ	R524	QRZ0077-100	10	1/4W	FUSIBLE RE	EN
Δ	R524	QRZ0077-100	10	1/4W	FUSIBLE RE	G
Δ	R524	QRZ0077-100	10	1/4W	FUSIBLE RE	GI
Δ	R524	QRD14CJ-100SX	10	1/4W	UNF. CARBON	J
Δ	R524	QRZ0077-100	10	1/4W	FUSIBLE RE	U
Δ	R524	QRZ0077-100	10	1/4W	FUSIBLE RE	US
Δ	R524	QRZ0077-100	10	1/4W	FUSIBLE RE	UT
Δ	R524	QRZ0077-100	10	1/4W	FUSIBLE RE	VX
Δ	R524	QRZ0077-100	10	1/4W	FUSIBLE RE	A
Δ	R524	QRZ0077-100	10	1/4W	FUSIBLE RE	BS
Δ	R525	QRZ0077-100	10	1/4W	FUSIBLE RE	EF
Δ	R525	QRZ0077-100	10	1/4W	FUSIBLE RE	EN
Δ	R525	QRZ0077-100	10	1/4W	FUSIBLE RE	G
Δ	R525	QRZ0077-100	10	1/4W	FUSIBLE RE	GI
Δ	R525	QRZ0077-100	10	1/4W	FUSIBLE RE	U
Δ	R525	QRZ0077-100	10	1/4W	FUSIBLE RE	US
Δ	R525	QRZ0077-100	10	1/4W	FUSIBLE RE	UT
Δ	R525	QRZ0077-100	10	1/4W	FUSIBLE RE	VX
Δ	R525	QRD14CJ-100SX	10	1/4W	UNF. CARBON	A
Δ	R525	QRZ0077-100	10	1/4W	FUSIBLE RE	BS
Δ	R525	QRZ0077-100	10	1/4W	FUSIBLE RE	C
Δ	R525	QRZ0077-100	10	1/4W	FUSIBLE RE	EF
Δ	R525	QRZ0077-100	10	1/4W	FUSIBLE RE	EN
Δ	R525	QRZ0077-100	10	1/4W	FUSIBLE RE	G
Δ	R525	QRZ0077-100	10	1/4W	FUSIBLE RE	GI
Δ	R525	QRZ0077-100	10	1/4W	FUSIBLE RE	U
Δ	R525	QRZ0077-100	10	1/4W	FUSIBLE RE	US
Δ	R525	QRZ0077-100	10	1/4W	FUSIBLE RE	UT
Δ	R525	QRZ0077-100	10	1/4W	FUSIBLE RE	VX
Δ	R526	QRD161J-333	33K	1/6W	CARBON RES	A
Δ	R527	QRD161J-333	33K	1/6W	CARBON RES	BS
Δ	R528	QRD161J-104	100K	1/6W	CARBON RES	C
Δ	R529	QRD161J-823	82K	1/6W	CARBON RES	EF
Δ	R531	QRD14CJ-4R7S	4.7	1/4W	UNF. CARBON	EN
Δ	R532	QRD14CJ-4R7S	4.7	1/4W	UNF. CARBON	G
Δ	R538	QRD161J-103	10K	1/6W	CARBON RES	GI
Δ	R539	QRD161J-153	15K	1/6W	CARBON RES	J
Δ	R540	QRD161J-104	100K	1/6W	CARBON RES	U
Δ	R541	QRD161J-152	1.5K	1/6W	CARBON RES	US
Δ	R542	QRD161J-222	2.2K	1/6W	CARBON RES	UT
Δ	R545	QRG012J-471A	470	1W	OXIDE META	VX
Δ	R547	QRD161J-102	1K	1/6W	CARBON RES	A
Δ	R548	QRD161J-102	1K	1/6W	CARBON RES	BS
Δ	R551	QRD161J-332	3.3K	1/6W	CARBON RES	C
Δ	R552	QRD161J-392	3.9K	1/6W	CARBON RES	EF
Δ	R553	QRD161J-332	3.3K	1/6W	CARBON RES	EN
Δ	R555	QRD161J-682	6.8K	1/6W	CARBON RES	G
Δ	R556	QRD161J-153	15K	1/6W	CARBON RES	GI
Δ	R558	QRD161J-332	3.3K	1/6W	CARBON RES	J
Δ	R559	QRD161J-332	3.3K	1/6W	CARBON RES	U

Δ SAFETY PARTS

RESISTORS

Δ	ITEM	PART NUMBER	DESCRIPTION			AREA
Δ	R561	QRZ0077-681	680	1/4W	FUSIBLE RE	A
Δ	R561	QRZ0077-681	680	1/4W	FUSIBLE RE	BS
Δ	R561	QRD14CJ-681SX	680	1/4W	UNF. CARBON	C
Δ	R561	QRZ0077-681	680	1/4W	FUSIBLE RE	EF
Δ	R561	QRZ0077-681	680	1/4W	FUSIBLE RE	EN
Δ	R561	QRZ0077-681	680	1/4W	FUSIBLE RE	G
Δ	R561	QRZ0077-681	680	1/4W	FUSIBLE RE	GI
Δ	R561	QRD14CJ-681SX	680	1/4W	UNF. CARBON	J
Δ	R561	QRZ0077-681	680	1/4W	FUSIBLE RE	U
Δ	R561	QRZ0077-681	680	1/4W	FUSIBLE RE	US
Δ	R561	QRZ0077-681	680	1/4W	FUSIBLE RE	UT
Δ	R561	QRZ0077-681	680	1/4W	FUSIBLE RE	VX
Δ	R562	QRZ0077-681	680	1/4W	FUSIBLE RE	A
Δ	R562	QRZ0077-681	680	1/4W	FUSIBLE RE	BS
Δ	R562	QRD14CJ-681SX	680	1/4W	UNF. CARBON	C
Δ	R562	QRZ0077-681	680	1/4W	FUSIBLE RE	EF
Δ	R562	QRZ0077-681	680	1/4W	FUSIBLE RE	EN
Δ	R562	QRZ0077-681	680	1/4W	FUSIBLE RE	G
Δ	R562	QRZ0077-681	680	1/4W	FUSIBLE RE	GI
Δ	R562	QRD14CJ-681SX	680	1/4W	UNF. CARBON	J
Δ	R562	QRZ0077-681	680	1/4W	FUSIBLE RE	U
Δ	R562	QRZ0077-681	680	1/4W	FUSIBLE RE	US
Δ	R562	QRZ0077-681	680	1/4W	FUSIBLE RE	UT
Δ	R562	QRZ0077-681	680	1/4W	FUSIBLE RE	VX
Δ	R563	QRZ0077-681	680	1/4W	FUSIBLE RE	A
Δ	R563	QRZ0077-681	680	1/4W	FUSIBLE RE	BS
Δ	R563	QRD14CJ-681SX	680	1/4W	UNF. CARBON	C
Δ	R563	QRZ0077-681	680	1/4W	FUSIBLE RE	EF
Δ	R563	QRZ0077-681	680	1/4W	FUSIBLE RE	EN
Δ	R563	QRZ0077-681	680	1/4W	FUSIBLE RE	G
Δ	R563	QRZ0077-681	680	1/4W	FUSIBLE RE	GI
Δ	R563	QRD14CJ-681SX	680	1/4W	UNF. CARBON	J
Δ	R563	QRZ0077-681	680	1/4W	FUSIBLE RE	U
Δ	R563	QRZ0077-681	680	1/4W	FUSIBLE RE	US
Δ	R563	QRZ0077-681	680	1/4W	FUSIBLE RE	UT
Δ	R563	QRZ0077-681	680	1/4W	FUSIBLE RE	VX
Δ	R564	QRZ0077-681	680	1/4W	FUSIBLE RE	A
Δ	R564	QRZ0077-681	680	1/4W	FUSIBLE RE	BS
Δ	R564	QRD14CJ-681SX	680	1/4W	UNF. CARBON	C
Δ	R564	QRZ0077-681	680	1/4W	FUSIBLE RE	EF
Δ	R564	QRZ0077-681	680	1/4W	FUSIBLE RE	EN
Δ	R564	QRZ0077-681	680	1/4W	FUSIBLE RE	G
Δ	R564	QRZ0077-681	680	1/4W	FUSIBLE RE	GI
Δ	R564	QRD14CJ-681SX	680	1/4W	UNF. CARBON	J
Δ	R564	QRZ0077-681	680	1/4W	FUSIBLE RE	U
Δ	R564	QRZ0077-681	680	1/4W	FUSIBLE RE	US
Δ	R564	QRZ0077-681	680	1/4W	FUSIBLE RE	UT
Δ	R564	QRZ0077-681	680	1/4W	FUSIBLE RE	VX
Δ	R566	QRD161J-473	47K	1/6W	CARBON RES	A
Δ	R566	QRD161J-473	47K	1/6W	CARBON RES	BS
Δ	R567	QRZ0077-8R2	8.2	1/4W	FUSIBLE RE	EF
Δ	R567	QRZ0077-8R2	8.2	1/4W	FUSIBLE RE	EN
Δ	R567	QRZ0077-8R2	8.2	1/4W	FUSIBLE RE	G
Δ	R567	QRZ0077-8R2	8.2	1/4W	FUSIBLE RE	GI
Δ	R567	QRZ0077-8R2	8.2	1/4W	FUSIBLE RE	U
Δ	R567	QRZ0077-8R2	8.2	1/4W	FUSIBLE RE	US
Δ	R567	QRZ0077-8R2	8.2	1/4W	FUSIBLE RE	UT
Δ	R567	QRZ0077-8R2	8.2	1/4W	FUSIBLE RE	VX
Δ	R568	QRZ0077-8R2	8.2	1/4W	FUSIBLE RE	A
Δ	R568	QRZ0077-8R2	8.2	1/4W	FUSIBLE RE	BS
Δ	R568	QRZ0077-8R2	8.2	1/4W	FUSIBLE RE	EF
Δ	R568	QRZ0077-8R2	8.2	1/4W	FUSIBLE RE	EN
Δ	R568	QRZ0077-8R2	8.2	1/4W	FUSIBLE RE	G
Δ	R568	QRZ0077-8R2	8.2	1/4W	FUSIBLE RE	GI
Δ	R568	QRZ0077-8R2	8.2	1/4W	FUSIBLE RE	U
Δ	R568	QRZ0077-8R2	8.2	1/4W	FUSIBLE RE	US
Δ	R568	QRZ0077-8R2	8.2	1/4W	FUSIBLE RE	UT
Δ	R568	QRZ0077-8R2	8.2	1/4W	FUSIBLE RE	VX
Δ	R573	QRD161J-102	1K	1/6W	CARBON RES	A
Δ	R574	QRD161J-103	10K	1/6W	CARBON RES	BS
Δ	R575	QRD161J-103	10K	1/6W	CARBON RES	C
Δ	R576	QRD161J-562	5.6K	1/6W	CARBON RES	EF
Δ	R577	PTH61G25AR4R7M			POSITIVE T	A
Δ	R577	PTH61G25AR4R7M			POSITIVE T	BS
Δ	R577	QRD14CJ-4R7S	4.7	1/4W	UNF. CARBON	C
Δ	R577	PTH61G25AR4R7M			POSITIVE T	EF
Δ	R577	PTH61G25AR4R7M			POSITIVE T	EN
Δ	R577	PTH61G25AR4R7M			POSITIVE T	G
Δ	R577	PTH61G25AR4R7M			POSITIVE T	GI
Δ	R577	QRD14CJ-4R7S	4.7	1/4W	UNF. CARBON	J
Δ	R577	PTH61G25AR4R7M			POSITIVE T	U
Δ	R577	PTH61G25AR4R7M			POSITIVE T	US
Δ	R577	PTH61G25AR4R7M			POSITIVE T	UT
Δ	R577	PTH61G25AR4R7M			POSITIVE T	VX
Δ	R580	QRD161J-470	47	1/6W	CARBON RES	A
Δ	R					

RESISTORS

Δ	ITEM	PART NUMBER	DESCRIPTION			AREA
Δ	R585	QRZ0077-100	10	1/4W	FUSIBLE RE	GI
Δ	R585	QRD14CJ-100SX	10	1/4W	UNF. CARBON	J
Δ	R585	QRZ0077-100	10	1/4W	FUSIBLE RE	U
Δ	R585	QRZ0077-100	10	1/4W	FUSIBLE RE	US
Δ	R585	QRZ0077-100	10	1/4W	FUSIBLE RE	UT
Δ	R585	QRZ0077-100	10	1/4W	FUSIBLE RE	VX
Δ	R586	QRZ0077-100	10	1/4W	FUSIBLE RE	A
Δ	R586	QRZ0077-100	10	1/4W	FUSIBLE RE	BS
Δ	R586	QRD14CJ-100SX	10	1/4W	UNF. CARBON	C
Δ	R586	QRZ0077-100	10	1/4W	FUSIBLE RE	EF
Δ	R586	QRZ0077-100	10	1/4W	FUSIBLE RE	EN
Δ	R586	QRZ0077-100	10	1/4W	FUSIBLE RE	G
Δ	R586	QRZ0077-100	10	1/4W	FUSIBLE RE	GI
Δ	R586	QRD14CJ-100SX	10	1/4W	UNF. CARBON	J
Δ	R586	QRZ0077-100	10	1/4W	FUSIBLE RE	U
Δ	R586	QRZ0077-100	10	1/4W	FUSIBLE RE	US
Δ	R586	QRZ0077-100	10	1/4W	FUSIBLE RE	UT
Δ	R586	QRZ0077-100	10	1/4W	FUSIBLE RE	VX
Δ	R587	QRZ0077-4R7	4.7	1/4W	FUSE RESIS	A
Δ	R587	QRZ0077-4R7	4.7	1/4W	FUSE RESIS	BS
Δ	R587	QRD14CJ-4R7S	4.7	1/4W	UNF. CARBON	C
Δ	R587	QRZ0077-4R7	4.7	1/4W	FUSE RESIS	EF
Δ	R587	QRZ0077-4R7	4.7	1/4W	FUSE RESIS	EN
Δ	R587	QRZ0077-4R7	4.7	1/4W	FUSE RESIS	G
Δ	R587	QRZ0077-4R7	4.7	1/4W	FUSE RESIS	GI
Δ	R587	QRD14CJ-4R7S	4.7	1/4W	UNF. CARBON	J
Δ	R587	QRZ0077-4R7	4.7	1/4W	FUSE RESIS	U
Δ	R587	QRZ0077-4R7	4.7	1/4W	FUSE RESIS	US
Δ	R587	QRZ0077-4R7	4.7	1/4W	FUSE RESIS	UT
Δ	R587	QRZ0077-4R7	4.7	1/4W	FUSE RESIS	VX
Δ	R588	QRZ0077-4R7	4.7	1/4W	FUSE RESIS	A
Δ	R588	QRZ0077-4R7	4.7	1/4W	FUSE RESIS	BS
Δ	R588	QRD14CJ-4R7S	4.7	1/4W	UNF. CARBON	C
Δ	R588	QRZ0077-4R7	4.7	1/4W	FUSE RESIS	EF
Δ	R588	QRZ0077-4R7	4.7	1/4W	FUSE RESIS	EN
Δ	R588	QRZ0077-4R7	4.7	1/4W	FUSE RESIS	G
Δ	R588	QRZ0077-4R7	4.7	1/4W	FUSE RESIS	GI
Δ	R588	QRD14CJ-4R7S	4.7	1/4W	UNF. CARBON	J
Δ	R588	QRZ0077-4R7	4.7	1/4W	FUSE RESIS	U
Δ	R588	QRZ0077-4R7	4.7	1/4W	FUSE RESIS	US
Δ	R588	QRZ0077-4R7	4.7	1/4W	FUSE RESIS	UT
Δ	R588	QRZ0077-4R7	4.7	1/4W	FUSE RESIS	VX
Δ	R589	QRZ0077-4R7	4.7	1/4W	FUSE RESIS	A
Δ	R589	QRZ0077-4R7	4.7	1/4W	FUSE RESIS	BS
Δ	R589	QRD14CJ-4R7S	4.7	1/4W	UNF. CARBON	C
Δ	R589	QRZ0077-4R7	4.7	1/4W	FUSE RESIS	EF
Δ	R589	QRZ0077-4R7	4.7	1/4W	FUSE RESIS	EN
Δ	R589	QRZ0077-4R7	4.7	1/4W	FUSE RESIS	G
Δ	R589	QRZ0077-4R7	4.7	1/4W	FUSE RESIS	GI
Δ	R589	QRD14CJ-4R7S	4.7	1/4W	UNF. CARBON	J
Δ	R589	QRZ0077-4R7	4.7	1/4W	FUSE RESIS	U
Δ	R589	QRZ0077-4R7	4.7	1/4W	FUSE RESIS	US
Δ	R589	QRZ0077-4R7	4.7	1/4W	FUSE RESIS	UT
Δ	R589	QRZ0077-4R7	4.7	1/4W	FUSE RESIS	VX
Δ	R590	QRZ0077-4R7	4.7	1/4W	FUSE RESIS	A
Δ	R590	QRZ0077-4R7	4.7	1/4W	FUSE RESIS	BS
Δ	R590	QRD14CJ-4R7S	4.7	1/4W	UNF. CARBON	C
Δ	R590	QRZ0077-4R7	4.7	1/4W	FUSE RESIS	EF
Δ	R590	QRZ0077-4R7	4.7	1/4W	FUSE RESIS	EN
Δ	R590	QRZ0077-4R7	4.7	1/4W	FUSE RESIS	G
Δ	R590	QRZ0077-4R7	4.7	1/4W	FUSE RESIS	GI
Δ	R590	QRD14CJ-4R7S	4.7	1/4W	UNF. CARBON	J
Δ	R590	QRZ0077-4R7	4.7	1/4W	FUSE RESIS	U
Δ	R590	QRZ0077-4R7	4.7	1/4W	FUSE RESIS	US
Δ	R590	QRZ0077-4R7	4.7	1/4W	FUSE RESIS	UT
Δ	R590	QRZ0077-4R7	4.7	1/4W	FUSE RESIS	VX
Δ	R591	QRD161J-222	2.2K	1/6W	CARBON RES	
Δ	R592	QRX014J-4R7X	4.7	1W	METAL FILM	A
Δ	R592	QRX014J-4R7X	4.7	1W	METAL FILM	BS
Δ	R592	QRX014J-4R7X	4.7	1W	METAL FILM	C
Δ	R592	QRX014J-4R7X	4.7	1W	METAL FILM	EF
Δ	R592	QRX014J-4R7X	4.7	1W	METAL FILM	EN
Δ	R592	QRX014J-4R7X	4.7	1W	METAL FILM	G
Δ	R592	QRX014J-4R7X	4.7	1W	METAL FILM	GI
Δ	R592	QRX014J-4R7X	4.7	1W	METAL FILM	J
Δ	R592	QRX014J-4R7X	4.7	1W	METAL FILM	U
Δ	R592	QRX014J-4R7X	4.7	1W	METAL FILM	US
Δ	R592	QRX014J-4R7X	4.7	1W	METAL FILM	UT
Δ	R592	QRX014J-4R7X	4.7	1W	METAL FILM	VX
Δ	R595	QRD14CJ-3R9S	3.9	1/4W	UNF. CARBON	
Δ	R596	QRD14CJ-3R9S	3.9	1/4W	UNF. CARBON	
Δ	R597	QRD161J-102	1K	1/6W	CARBON RES	
Δ	R599	QRD14CJ-2R2SX	2.2	1/4W	UNF. CARBON	C
Δ	R599	QRD14CJ-2R2SX	2.2	1/4W	UNF. CARBON	J
Δ	R807	QRD161J-103	10K	1/6W	CARBON RES	
Δ	R810	QRD161J-103	10K	1/6W	CARBON RES	
Δ	R811	QRD161J-104	100K	1/6W	CARBON RES	
Δ	R901	QRD161J-105	1M	1/6W	CARBON RES	
Δ	R902	QRD161J-103	10K	1/6W	CARBON RES	
Δ	R903	QRD167J-223	22K	1/6W	CARBON RES	
Δ	R904	QRD161J-103	10K	1/6W	CARBON RES	
Δ	R905	QRD161J-102	1K	1/6W	CARBON RES	
Δ	R906	QRD161J-102	1K	1/6W	CARBON RES	
Δ	R907	QRD161J-102	1K	1/6W	CARBON RES	
Δ	R908	QRD161J-473	47K	1/6W	CARBON RES	

Δ : SAFETY PARTS

RESISTORS

Δ	ITEM	PART NUMBER	DESCRIPTION			AREA
	R909	QRD167J-223	22K	1/6W	CARBON RES	
	R911	QRD161J-103	10K	1/6W	CARBON RES	
	R912	QRD161J-103	10K	1/6W	CARBON RES	
	R913	QRD161J-392	3.9K	1/6W	CARBON RES	
	R914	QRD161J-242	2.4K	1/6W	CARBON RES	
	R915	QRD167J-153	15K	1/6W	CARBON RES	
	R925	QRD161J-432	4.3K	1/6W	CARBON RES	
	R926	QRD161J-432	4.3K	1/6W	CARBON RES	
	R927	QRD161J-103	10K	1/6W	CARBON RES	
	R928	QRD161J-103	10K	1/6W	CARBON RES	
	R929	QRD161J-913	91K	1/6W	CARBON RES	
	R930	QRD161J-913	91K	1/6W	CARBON RES	
	R931	QRD167J-822	8.2K	1/6W	CARBON RES	
	R932	QRD167J-822	8.2K	1/6W	CARBON RES	
	R933	QRD161J-163	16K	1/6W	CARBON RES	
	R934	QRD161J-163	16K	1/6W	CARBON RES	
	R942	QRD161J-103	10K	1/6W	CARBON RES	
	R945	QRD161J-224	220K	1/6W	CARBON RES	
	R946	QRD161J-224	220K	1/6W	CARBON RES	
	R948	QVPA603-403A	10K		TRIMMER	
	R950	QRD161J-133Y	13K	1/6W	CARBON RES	
	R951	QRD161J-683	68K	1/6W	CARBON RES	
	R952	QRD161J-105	1M	1/6W	CARBON RES	
	R997	QRD167J-562	5.6K	1/6W	CARBON RES	
	R998	QRD161J-104	100K	1/6W	CARBON RES	
	R999	QRD161J-274	270K	1/6W	CARBON RES	
	RA901	QRB049J-102	1K	1/10W	NETWORK RE	
	RA902	QRB089J-103	10K	1/10W	NETWORK RE	
	RA903	QRB079J-222	2.2K	1/10W	NETWORK RE	
	RA911	QRB049J-102	1K	1/10W	NETWORK RE	
	RA951	QRB049J-103	10K	1/10W	RESISTOR	
	RA952	QRB049J-103	10K	1/10W	RESISTOR	
	R1001	QRD167J-223	22K	1/6W	CARBON RES	U
	R1001	QRD167J-223	22K	1/6W	CARBON RES	US
	R1001	QRD167J-223	22K	1/6W	CARBON RES	UT
	R1002	QRD161J-123	12K	1/6W	CARBON RES	U
	R1002	QRD161J-123	12K	1/6W	CARBON RES	US
	R1002	QRD161J-123	12K	1/6W	CARBON RES	UT
	R1003	QRD161J-103	10K	1/6W	CARBON RES	U
	R1003	QRD161J-103	10K	1/6W	CARBON RES	US
	R1003	QRD161J-103	10K	1/6W	CARBON RES	UT
	R1004	QRD161J-103	10K	1/6W	CARBON RES	U
	R1004	QRD161J-103	10K	1/6W	CARBON RES	US
	R1004	QRD161J-103	10K	1/6W	CARBON RES	UT
	R1005	QRD161J-103	10K	1/6W	CARBON RES	U
	R1005	QRD161J-103	10K	1/6W	CARBON RES	US
	R1005	QRD161J-103	10K	1/6W	CARBON RES	UT
	R1010	QRD161J-472	4.7K	1/6W	CARBON RES	U
	R1010	QRD161J-472	4.7K	1/6W	CARBON RES	US
	R1010	QRD161J-472	4.7K	1/6W	CARBON RES	UT
	R1011	QRD161J-103	10K	1/6W	CARBON RES	U
	R1011	QRD161J-103	10K	1/6W	CARBON RES	US
	R1011	QRD161J-103	10K	1/6W	CARBON RES	UT
	R1012	QRD161J-103	10K	1/6W	CARBON RES	U
	R1012	QRD161J-103	10K	1/6W	CARBON RES	US
	R1012	QRD161J-103	10K	1/6W	CARBON RES	UT
	R1012	QRD161J-103	10K	1/6W	CARBON RES	U
	R1012	QRD161J-103	10K	1/6W	CARBON RES	US
	R1012	QRD161J-103	10K	1/6W	CARBON RES	UT
	R1013	QRD161J-103	10K	1/6W	CARBON RES	U
	R1013	QRD161J-103	10K	1/6W	CARBON RES	US
	R1013	QRD161J-103	10K	1/6W	CARBON RES	UT
	R1013	QRD161J-103	10K	1/6W	CARBON RES	U
	R1013	QRD161J-103	10K	1/6W	CARBON RES	US
	R1013	QRD161J-103	10K	1/6W	CARBON RES	UT
	R1021	QRD161J-105	1M	1/6W	CARBON RES	U
	R1021	QRD161J-105	1M	1/6W	CARBON RES	US
	R1021	QRD161J-105	1M	1/6W	CARBON RES	UT
	R1022	QRD161J-472	4.7K	1/6W	CARBON RES	U
	R1022	QRD161J-472	4.7K	1/6W	CARBON RES	US
	R1022	QRD161J-472	4.7K	1/6W	CARBON RES	UT
	R1022	QRD161J-472	4.7K	1/6W	CARBON RES	U
	R1022	QRD161J-472	4.7K	1/6W	CARBON RES	US
	R1022	QRD161J-472	4.7K	1/6W	CARBON RES	UT
	R1031	QRD161J-221	220	1/6W	CARBON RES	U
	R1031	QRD161J-221	220	1/6W	CARBON RES	US
	R1031	QRD161J-221	220	1/6W	CARBON RES	UT
	R1035	QRD161J-303Y	30K	1/6W	CARBON RES	U
	R1035	QRD161J-303Y	30K	1/6W	CARBON RES	US
	R1035	QRD161J-303Y	30K	1/6W	CARBON RES	UT
	R1036	QRD161J-563	56K	1/6W	CARBON RES	U
	R1036	QRD161J-563	56K	1/6W	CARBON RES	US
	R1036	QRD161J-563	56K	1/6W	CARBON RES	UT
	R1037	QRD161J-243	24K	1/6W	CARBON RES	U
	R1037	QRD161J-243	24K	1/6W	CARBON RES	US
	R1037	QRD161J-243	24K	1/6W	CARBON RES	UT
	R1037	QRD161J-243	24K	1/6W	CARBON RES	U
	R1037	QRD161J-243	24K	1/6W	CARBON RES	US
	R1037	QRD161J-243	24K	1/6W	CARBON RES	UT
	R1038	QRD161J-123	12K	1/6W	CARBON RES	U
	R1038	QRD161J-123	12K	1/6W	CARBON RES	US
	R1038	QRD161J-123	12K	1/6W	CARBON RES	UT
	R1038	QRD161J-123	12K	1/6W	CARBON RES	

RESISTORS

△	ITEM	PART NUMBER	DESCRIPTION	AREA
	R1101	QRD161J-221	220 1/6W CARBON RES	U
	R1101	QRD161J-221	220 1/6W CARBON RES	US
	R1101	QRD161J-221	220 1/6W CARBON RES	UT

△ SAFETY PARTS

OTHERS

△	ITEM	PART NUMBER	DESCRIPTION	AREA
		EMW10456-006A	PC BOARD	
		VYH7653-001	SPRING	
△		PTH61G25AR4R7M	POSITIVE TH	A
△		PTH61G25AR4R7M	POSITIVE TH	BS
△		QWE351-214K4K	VINYL WIRE	C
△		PTH61G25AR4R7M	POSITIVE TH	EF
△		PTH61G25AR4R7M	POSITIVE TH	EN
△		PTH61G25AR4R7M	POSITIVE TH	G
△		PTH61G25AR4R7M	POSITIVE TH	GI
		QWE351-214K4K	VINYL WIRE	J
	J401	EMV5163-012R	CONNECT TER 12PIN	
	J402	EMV5163-010R	CONNECT TER 10PIN	
	J410	EMV5109-003B	CONNECT TER 3PIN	
	J541	EMB90TV-403A	SPEAKER TER	
	J801	EMV5142-911	CONNECT TER 11PIN	
	P303	VMC0314-S08	CONNECT TER 8PIN	
	P304	VMC0314-S16	CONNECT TER 16PIN	
	P921	VMC0234-P11	CONNECT TER 11PIN	
	P922	VMC0234-P14	CONNECT TER 14PIN	
	P923	VMC0234-P08	CONNECT TER 8PIN	
	P924	VMC0234-P08	CONNECT TER 8PIN	
	S501	QSS7A12-E01	SLIDE SWITC	BS
	S501	QSS7A12-E01	SLIDE SWITC	EF
	S501	QSS7A12-E01	SLIDE SWITC	EN
	S501	QSS7A12-E01	SLIDE SWITC	G
	S501	QSS7A12-E01	SLIDE SWITC	GI
	S501	QSS7A12-E01	SLIDE SWITC	VX
	EP701	E70225-003SS	EARTH PLATE	
	FW501	EWR3AD-20LS	FLAT WIRE A	
	JA511	EMV5163-009R	CONNECT TER 9PIN	
	JA521	EMV5163-011R	CONNECT TER 11PIN	
	JA601	VMC0161-R23	CONNECT TER 23PIN	
	JA801	EMV7160-025	CONNECT TER 25PIN	
	JA852	VMC0161-R19	CONNECT TER 19PIN	
	JB511	EMV7163-009	CONNECT TER 9PIN	
	JB521	EMV7163-011	CONNECT TER 11PIN	
	RY501	ESK7D24-2120	RELAY	
	XT102	ECX0000-400KS	CERAMIC RES	U
	XT102	ECX0000-400KS	CERAMIC RES	US
	XT102	ECX0000-400KS	CERAMIC RES	UT
	XT901	ECX0004-194KM	CERAMIC RES	
	XT951	ECX0060-000EM	CERAMIC RES	
		QWE350-14A1A1	WIRE	
		VYSH101-009	SPACER	

△ SAFETY PARTS

Note (1)

PC Board Ass'y	Version	Designated Areas
FSB-001 B	J C	the U.S.A. Canada
FSB-001 C	BS	the U.K.
FSB-001 D	A	Australia
FSB-001 E	EN EF	Scandinavia Continental Europe
FSB-001 F	U UT US	Universal Type Taiwan Singapore
FSB-001 G	G GI	Germany Italy
FSB-001 H	VX	East Europe

TRANSISTORS

ITEM	PART NUMBER	DESCRIPTION	AREA
Q401	2SD2144S(VW)	SI.TRANSIST ROHM	
Q402	2SD2144S(VW)	SI.TRANSIST ROHM	
Q403	DTA144ES	DIGITAL TRA ROHM	
Q409	2SD2144S(VW)	SI.TRANSIST ROHM	
Q410	2SD2144S(VW)	SI.TRANSIST ROHM	

△ SAFETY PARTS

I. C. S.

ITEM	PART NUMBER	DESCRIPTION	AREA
IC401	TC9164N	I.C.(DIGI-MO TOSHIBA	
IC402	M62417SP	I.C.(M) MITSUBISHI	
IC403	NJM4580LD	I.C.(MONO-AN DAINICHI	
IC404	LB1639-CV	I.C.(DIGI-OT SANYO	
IC405	BA15218N	I.C.(MONO-AN ROHM	U US UT
IC405	BA15218N	I.C.(MONO-AN ROHM	U US UT
IC801	MN171202J5F	I.C.(MICRO-C MATSUSHITA	
IC803	NJH32H380A	I.C.(M) DAINICHI	

△ SAFETY PARTS

DIODES

ITEM	PART NUMBER	DESCRIPTION	AREA
D401	1SR139-200	SI.DIODE ROHM	
D480	MTZ5.1JB	ZENER DIODE ROHM	
D800	SLR-342VC3F	L.E.D. ROHM	A
D800	SLA-380LT	L.E.D. ROHM	BS
D800	SLR-342VC3F	L.E.D. ROHM	C
D800	SLR-342VC3F	L.E.D. ROHM	EF
D800	SLR-342VC3F	L.E.D. ROHM	EN
D800	SLR-342VC3F	L.E.D. ROHM	G
D800	SLR-342VC3F	L.E.D. ROHM	GI
D800	SLR-342VC3F	L.E.D. ROHM	J
D800	SLR-342VC3F	L.E.D. ROHM	U
D800	SLR-342VC3F	L.E.D. ROHM	US
D800	SLR-342VC3F	L.E.D. ROHM	UT
D800	SLR-342VC3F	L.E.D. ROHM	VX
D801	1SS133	SI.DIODE ROHM	
D802	1SS133	SI.DIODE ROHM	
D803	1SS133	SI.DIODE ROHM	
D804	1SS133	SI.DIODE ROHM	
D806	1SS133	SI.DIODE ROHM	
D810	SLR-342MCA47	L.E.D. ROHM	
D811	SLR-342MCA47	L.E.D. ROHM	
D812	SLR-342VC3F	L.E.D. ROHM	
D813	SLR-342VC3F	L.E.D. ROHM	
D814	SLR-342VC3F	L.E.D. ROHM	
D815	SLR-342MCA47	L.E.D. ROHM	
D816	SLR-342MCA47	L.E.D. ROHM	
D817	SLR-342MCA47	L.E.D. ROHM	
D818	1SS133	SI.DIODE ROHM	
D819	1SS133	SI.DIODE ROHM	
D820	1SS133	SI.DIODE ROHM	
D821	1SS133	SI.DIODE ROHM	
D822	1SS133	SI.DIODE ROHM	
D823	1SS133	SI.DIODE ROHM	
D824	1SS133	SI.DIODE ROHM	
D825	1SS133	SI.DIODE ROHM	

△ SAFETY PARTS

DIODES

ITEM	PART NUMBER	DESCRIPTION	AREA
D826	1SS133	SI.DIODE ROHM	
D827	1SS133	SI.DIODE ROHM	
D828	1SS133	SI.DIODE ROHM	
D829	1SS133	SI.DIODE ROHM	

△ SAFETY PARTS

CAPACITORS

ITEM	PART NUMBER	DESCRIPTION	AREA
C401	QETB1EM-107	100MF 25V AL E.CAPAC	
C402	QETB1EM-107	100MF 25V AL E.CAPAC	
C403	QETB1EM-106	10MF 25V AL E.CAPAC	
C404	QETB1EM-106	10MF 25V AL E.CAPAC	
C405	QFV71HJ-683ZM	0.068MF 50V THIN FILM	
C406	QFV71HJ-683ZM	0.068MF 50V THIN FILM	
C407	QFV11HJ-184AZM	0.18MF 50V THIN FILM	
C408	QFV11HJ-184AZM	0.18MF 50V THIN FILM	
C409	QETB1EM-106	10MF 25V AL E.CAPAC	
C410	QETB1EM-106	10MF 25V AL E.CAPAC	
C411	QFV71HJ-474ZM	0.47MF 50V THIN FILM	
C412	QFV71HJ-474ZM	0.47MF 50V THIN FILM	
C413	QFV71HJ-683ZM	0.068MF 50V THIN FILM	
C414	QFV71HJ-683ZM	0.068MF 50V THIN FILM	
C415	QETB1EM-105	1MF 50V AL E.CAPAC	
C416	QETB1EM-105	1MF 50V AL E.CAPAC	
C417	QCBB1HK-561Y	560PF 50V CER.CAPACI	
C418	QCBB1HK-561Y	560PF 50V CER.CAPACI	
C419	QETB1AM-107	100MF 10V AL E.CAPAC	
C421	QFV81HJ-103	0.01MF 50V THIN FILM	
C424	QETB1AM-107	100MF 10V AL E.CAPAC	
C425	QFN81HJ-472	4700PF 50V MYLAR CAPA	
C426	QFN81HJ-472	4700PF 50V MYLAR CAPA	
C427	QFN81HJ-821	820PF 50V MYLAR CAPA	
C428	QFN81HJ-821	820PF 50V MYLAR CAPA	
C429	QETB1EM-106	10MF 50V E.CAPACITO	
C430	QETB1EM-106	10MF 50V E.CAPACITO	
C433	QCVB1CM-103Y	0.01MF 16V CER.CAPACI	
C434	QFV81HJ-104	0.1MF 50V THIN FILM	U
C434	QFV81HJ-104	0.1MF 50V THIN FILM	US
C434	QFV81HJ-104	0.1MF 50V THIN FILM	UT
C435	QETB1EM-474	0.47MF 50V ELECTRO	
C436	QETB1EM-474	0.47MF 50V ELECTRO	
C437	QCBB1HK-101Y	100PF 50V CER.CAPACI	U
C437	QCBB1HK-101Y	100PF 50V CER.CAPACI	US
C437	QCBB1HK-101Y	100PF 50V CER.CAPACI	UT
C439	QETB1EM-106	10MF 25V AL E.CAPAC	U
C439	QETB1EM-106	10MF 25V AL E.CAPAC	US
C439	QETB1EM-106	10MF 25V AL E.CAPAC	UT
C440	QETB1EM-106	10MF 25V AL E.CAPAC	U
C440	QETB1EM-106	10MF 25V AL E.CAPAC	US
C440	QETB1EM-106	10MF 25V AL E.CAPAC	UT
C441	QETB1EM-106	10MF 25V AL E.CAPAC	U
C441	QETB1EM-106	10MF 25V AL E.CAPAC	US
C441	QETB1EM-106	10MF 25V AL E.CAPAC	UT
C442	QETB1EM-106	10MF 25V AL E.CAPAC	U
C442	QETB1EM-106	10MF 25V AL E.CAPAC	US
C442	QETB1EM-106	10MF 25V AL E.CAPAC	UT
C443	QETB1AM-107	100MF 10V AL E.CAPAC	U
C443	QETB1AM-107	100MF 10V AL E.CAPAC	US
C443	QETB1AM-107	100MF 10V AL E.CAPAC	UT
C444	QCGB1HK-102	1000PF 50V CER.CAPACI	U
C444	QCGB1HK-102	1000PF 50V CER.CAPACI	US
C444	QCGB1HK-102	1000PF 50V CER.CAPACI	UT
C450	QCVB1CM-103Y	0.01MF 16V CER.CAPACI	C
C450	QCVB1CM-103Y	0.01MF 16V CER.CAPACI	J
C450	QCVB1CM-103Y	0.01MF 16V CER.CAPACI	U
C450	QCVB1CM-103Y	0.01MF 16V CER.CAPACI	US
C450	QCVB1CM-103Y	0.01MF 16V CER.CAPACI	UT
C451	QCVB1CM-103Y	0.01MF 16V CER.CAPACI	A
C451	QCVB1CM-103Y	0.01MF 16V CER.CAPACI	BS
C451	QCVB1CM-103Y	0.01MF 16V CER.CAPACI	EF
C451	QCVB1CM-103Y	0.01MF 16V CER.CAPACI	EN
C451	QCVB1CM-103Y	0.01MF 16V CER.CAPACI	G
C451	QCVB1CM-103Y	0.01MF 16V CER.CAPACI	GI
C451	QCVB1CM-103Y	0.01MF 16V CER.CAPACI	VX
C452	QCS31HJ-471Z	470PF 50V CER.CAPACI	A
C452	QCS31HJ-471Z	470PF 50V CER.CAPACI	BS
C452	QCS31HJ-471Z	470PF 50V CER.CAPACI	EF
C452	QCS31HJ-471Z	470PF 50V CER.CAPACI	EN
C452	QCS31HJ-471Z	470PF 50V CER.CAPACI	G
C452	QCS31HJ-471Z	470PF 50V CER.CAPACI	GI
C452	QCS31HJ-471Z	470PF 50V CER.CAPACI	VX
C453	QCS31HJ-471Z	470PF 50V CER.CAPACI	A
C453	QCS31HJ-471Z	470PF 50V CER.CAPACI	BS
C453	QCS31HJ-471Z	470PF 50V CER.CAPACI	EF
C453	QCS31HJ-471Z	470PF 50V CER.CAPACI	EN
C453	QCS31HJ-471Z	470PF 50V CER.CAPACI	G
C453	QCS31HJ-471Z	470PF 50V CER.CAPACI	GI
C453	QCS31HJ-471Z	470PF 50V CER.CAPACI	VX
C454	QETB1EM-106	10MF 25V AL E.CAPAC	U
C454	QETB1EM-106	10MF 25V AL E.CAPAC	US
C454	QETB1EM-106	10MF 25V AL E.CAPAC	UT
C455	QCBB1HK-102Y	1000PF 50V CER.CAPACI	A
C455	QCBB1HK-102Y	1000PF 50V CER.CAPACI	BS

△ SAFETY PARTS

CAPACITORS

ITEM	PART NUMBER	DESCRIPTION	AREA
C455	QCBB1HK-102Y	1000PF 50V CER.CAPACI	EF
C455	QCBB1HK-102Y	1000PF 50V CER.CAPACI	EN
C455	QCBB1HK-102Y	1000PF 50V CER.CAPACI	G
C455	QCBB1HK-102Y	1000PF 50V CER.CAPACI	GI
C455	QCBB1HK-102Y	1000PF 50V CER.CAPACI	VX
C456	QCBB1HK-102Y	1000PF 50V CER.CAPACI	A
C456	QCBB1HK-102Y	1000PF 50V CER.CAPACI	BS
C456	QCBB1HK-102Y	1000PF 50V CER.CAPACI	EF
C456	QCBB1HK-102Y	1000PF 50V CER.CAPACI	EN
C456	QCBB1HK-102Y	1000PF 50V CER.CAPACI	G
C456	QCBB1HK-102Y	1000PF 50V CER.CAPACI	GI
C456	QCBB1HK-102Y	1000PF 50V CER.CAPACI	VX
C457	QCBB1HK-102Y	1000PF 50V CER.CAPACI	A
C457	QCBB1HK-102Y	1000PF 50V CER.CAPACI	BS
C457	QCBB1HK-102Y	1000PF 50V CER.CAPACI	EF
C457	QCBB1HK-102Y	1000PF 50V CER.CAPACI	EN
C457	QCBB1HK-102Y	1000PF 50V CER.CAPACI	G
C457	QCBB1HK-102Y	1000PF 50V CER.CAPACI	GI
C457	QCBB1HK-102Y	1000PF 50V CER.CAPACI	VX
C458	QCBB1HK-102Y	1000PF 50V CER.CAPACI	A
C458	QCBB1HK-102Y	1000PF 50V CER.CAPACI	BS
C458	QCBB1HK-102Y	1000PF 50V CER.CAPACI	EF
C458	QCBB1HK-102Y	1000PF 50V CER.CAPACI	EN
C458	QCBB1HK-102Y	1000PF 50V CER.CAPACI	G
C458	QCBB1HK-102Y	1000PF 50V CER.CAPACI	GI
C458	QCBB1HK-102Y	1000PF 50V CER.CAPACI	VX
C460	QCFB1HZ-473Y	0.047MF 50V CER.CAPACI	
C477	QFN31HJ-332Z	3300PF 50V MYLAR CAPA	
C478	QFN31HJ-332Z	3300PF 50V MYLAR CAPA	
C480	QFN81HJ-103	0.01MF 50V METAL.MYLA	
C482	QFN81HJ-103	0.01MF 50V METAL.MYLA	
C800	QCFB1HZ-104Y	0.1MF 50V CER.CAPACI	
C801	QCT26CH-330	33PF 50V CER.CAPACI	
C803	QCZ0205-155	1.5MF 25V C.CAPACITO	C
C803	QCZ0205-155	1.5MF 25V C.CAPACITO	J
C808	QER50JM-107	100MF 6.3V AL E.CAPAC	
C809	QCHB1EZ-223	0.022MF 25V CER.CAPACI	
C810	QCVB1CM-103Y	0.01MF 16V CER.CAPACI	
C811	QER61AM-107Z	100MF 10V AL E.CAPAC	
C812	QCVB1CM-103Y	0.01MF 16V CER.CAPACI	
C814	QEK51HM-475	4.7MF 50V AL E.CAPAC	
C851	QCHB1EZ-223	0.022MF 25V CER.CAPACI	
C852	QCHB1EZ-223	0.022MF 25V CER.CAPACI	
C856	QETB1HM-476	47MF 50V E.CAPACITO	

Δ SAFETY PARTS

RESISTORS

ITEM	PART NUMBER	DESCRIPTION	AREA
R001	QRC128K-275EM	2.7M 1/2W COMPOSITIO	C
R001	QRC128K-275EM	2.7M 1/2W COMPOSITIO	J
R400	QVDB94B-E15D	100K VARIABLE R	
R411	QRD167J-272	2.7K 1/6W CARBON RES	
R412	QRD167J-272	2.7K 1/6W CARBON RES	
R413	QRD161J-122	1.2K 1/6W CARBON RES	
R414	QRD161J-122	1.2K 1/6W CARBON RES	
R415	QRD167J-153	15K 1/6W CARBON RES	
R416	QRD167J-153	15K 1/6W CARBON RES	
R417	QRD161J-122	1.2K 1/6W CARBON RES	
R418	QRD161J-122	1.2K 1/6W CARBON RES	
R419	QRD161J-222	2.2K 1/6W CARBON RES	
R420	QRD161J-222	2.2K 1/6W CARBON RES	
R421	QRD161J-182	1.8K 1/6W CARBON RES	A
R421	QRD161J-182	1.8K 1/6W CARBON RES	BS
R421	QRD161J-272	2.7K 1/6W CARBON RES	C
R421	QRD161J-182	1.8K 1/6W CARBON RES	EF
R421	QRD161J-182	1.8K 1/6W CARBON RES	EN
R421	QRD161J-182	1.8K 1/6W CARBON RES	G
R421	QRD161J-182	1.8K 1/6W CARBON RES	GI
R421	QRD161J-272	2.7K 1/6W CARBON RES	J
R421	QRD161J-272	2.7K 1/6W CARBON RES	U
R421	QRD161J-272	2.7K 1/6W CARBON RES	US
R421	QRD161J-272	2.7K 1/6W CARBON RES	UT
R421	QRD161J-182	1.8K 1/6W CARBON RES	VX
R422	QRD161J-182	1.8K 1/6W CARBON RES	A
R422	QRD161J-182	1.8K 1/6W CARBON RES	BS
R422	QRD161J-272	2.7K 1/6W CARBON RES	C
R422	QRD161J-182	1.8K 1/6W CARBON RES	EF
R422	QRD161J-182	1.8K 1/6W CARBON RES	EN
R422	QRD161J-182	1.8K 1/6W CARBON RES	G
R422	QRD161J-182	1.8K 1/6W CARBON RES	GI
R422	QRD161J-272	2.7K 1/6W CARBON RES	J
R422	QRD161J-272	2.7K 1/6W CARBON RES	U
R422	QRD161J-272	2.7K 1/6W CARBON RES	US
R422	QRD161J-272	2.7K 1/6W CARBON RES	UT
R422	QRD161J-182	1.8K 1/6W CARBON RES	VX
R423	QRD161J-911	910 1/6W CARBON RES	
R424	QRD161J-911	910 1/6W CARBON RES	
R427	QRD161J-222	2.2K 1/6W CARBON RES	
R428	QRD161J-222	2.2K 1/6W CARBON RES	
R429	QRD161J-222	2.2K 1/6W CARBON RES	
R430	QRD161J-222	2.2K 1/6W CARBON RES	
R433	QRD167J-273	27K 1/6W CARBON	
R434	QRD167J-273	27K 1/6W CARBON	

Δ SAFETY PARTS

RESISTORS

ITEM	PART NUMBER	DESCRIPTION	AREA
R437	QRD161J-104	100K 1/6W CARBON RES	
R438	QRD161J-104	100K 1/6W CARBON RES	
R439	QRD161J-471	470 1/6W CARBON RES	
R440	QRD161J-471	470 1/6W CARBON RES	
R441	QRD161J-203	20K 1/6W CARBON RES	
R442	QRD161J-203	20K 1/6W CARBON RES	
R445	QRD161J-103	10K 1/6W CARBON RES	
R446	QRD161J-103	10K 1/6W CARBON RES	
R452	QRD161J-301	300 1/6W CARBON RES	
R453	QRD14CJ-4R7S	4.7 1/4W UNF.CARBON	
R454	QRD161J-102	1K 1/6W CARBON RES	U
R454	QRD161J-102	1K 1/6W CARBON RES	US
R454	QRD161J-102	1K 1/6W CARBON RES	UT
R455	QRD161J-103	10K 1/6W CARBON RES	U
R455	QRD161J-103	10K 1/6W CARBON RES	US
R455	QRD161J-103	10K 1/6W CARBON RES	UT
R456	QRD167J-151	150 1/6W CARBON RES	U
R456	QRD167J-151	150 1/6W CARBON RES	US
R456	QRD167J-151	150 1/6W CARBON RES	UT
R457	QRD167J-152	1.5K 1/6W CARBON RES	U
R457	QRD167J-152	1.5K 1/6W CARBON RES	US
R457	QRD167J-152	1.5K 1/6W CARBON RES	UT
R458	QRD161J-103	10K 1/6W CARBON RES	U
R458	QRD161J-103	10K 1/6W CARBON RES	US
R458	QRD161J-103	10K 1/6W CARBON RES	UT
R467	QRD161J-473	47K 1/6W CARBON RES	
R468	QRD161J-473	47K 1/6W CARBON RES	
R471	QRD161J-333	33K 1/6W CARBON RES	
R472	QRD161J-333	33K 1/6W CARBON RES	
R475	QRD167J-682	6.8K 1/6W CARBON RES	
R476	QRD167J-682	6.8K 1/6W CARBON RES	
R480	QRD161J-101	100 1/6W CARBON RES	
R481	QRD161J-103	10K 1/6W CARBON RES	
R482	QRD161J-103	10K 1/6W CARBON RES	
R485	QRD161J-474	470K 1/6W CARBON RES	
R490	QRD161J-102	1K 1/6W CARBON RES	
R500	QVAA72B-E54B	50K VARIABLE R	U
R500	QVAA72B-E54B	50K VARIABLE R	US
R500	QVAA72B-E54B	50K VARIABLE R	UT
R802	QRD167J-431	430 1/6W CARBON RES	
R803	QRD161J-112	1.1K 1/6W CARBON RES	A
R803	QRD161J-112	1.1K 1/6W CARBON RES	BS
R803	QRD161J-112	1.1K 1/6W CARBON RES	C
R803	QRD161J-112	1.1K 1/6W CARBON RES	EF
R803	QRD161J-112	1.1K 1/6W CARBON RES	EN
R803	QRD161J-112	1.1K 1/6W CARBON RES	G
R803	QRD161J-112	1.1K 1/6W CARBON RES	GI
R803	QRD161J-112	1.1K 1/6W CARBON RES	J
R803	QRD167J-272	2.7K 1/6W CARBON RES	U
R803	QRD167J-272	2.7K 1/6W CARBON RES	US
R803	QRD167J-272	2.7K 1/6W CARBON RES	UT
R803	QRD161J-112	1.1K 1/6W CARBON RES	VX
R804	QRD161J-681	680 1/6W CARBON RES	
R805	QRD167J-431	430 1/6W CARBON RES	
R806	QRD161J-181	180 1/6W CARBON RES	A
R806	QRD161J-221	220 1/6W CARBON RES	BS
R806	QRD161J-201	200 1/6W CARBON RES	C
R806	QRD161J-201	200 1/6W CARBON RES	EF
R806	QRD161J-201	200 1/6W CARBON RES	EN
R806	QRD161J-201	200 1/6W CARBON RES	G
R806	QRD161J-201	200 1/6W CARBON RES	GI
R806	QRD161J-201	200 1/6W CARBON RES	J
R806	QRD161J-201	200 1/6W CARBON RES	U
R806	QRD161J-201	200 1/6W CARBON RES	US
R806	QRD161J-201	200 1/6W CARBON RES	UT
R806	QRD161J-201	200 1/6W CARBON RES	VX
R808	QRD161J-103	10K 1/6W CARBON RES	
R809	QRD161J-103	10K 1/6W CARBON RES	
R818	QRD161J-222	2.2K 1/6W CARBON RES	
R819	QRD161J-112	1.1K 1/6W CARBON RES	
R820	QRD161J-681	680 1/6W CARBON RES	
R821	QRD167J-431	430 1/6W CARBON RES	
R822	QRD161J-112	1.1K 1/6W CARBON RES	
R823	QRD161J-681	680 1/6W CARBON RES	
R824	QRD167J-431	430 1/6W CARBON RES	
R825	QRD161J-222	2.2K 1/6W CARBON RES	
R826	QRD161J-112	1.1K 1/6W CARBON RES	
R827	QRD161J-681	680 1/6W CARBON RES	
R828	QRD167J-431	430 1/6W CARBON RES	
R829	QRD167J-161	160 1/6W CARBON RES	
R830	QRD161J-221	220 1/6W CARBON RES	U
R830	QRD161J-221	220 1/6W CARBON RES	US
R830	QRD161J-221	220 1/6W CARBON RES	UT
R831	QRD161J-271	270 1/6W CARBON RES	
R832	QRD161J-271	270 1/6W CARBON RES	
R833	QRD161J-391	390 1/6W CARBON RES	
R834	QRD167J-161	160 1/6W CARBON RES	
R835	QRD161J-221	220 1/6W CARBON RES	U
R835	QRD161J-221	220 1/6W CARBON RES	US
R835	QRD161J-221	220 1/6W CARBON RES	UT
R836	QRD167J-151	150 1/6W CARBON RES	
R839	QRD161J-103	10K 1/6W CARBON RES	
R851	QRD167J-223	22K 1/6W CARBON RES	
R852	QRD167J-223	22K 1/6W CARBON RES	
RA800	QRB049J-103	10K 1/10W RESISTOR	

Δ SAFETY PARTS

RESISTORS

Δ	ITEM	PART NUMBER	DESCRIPTION	AREA
	RA803	QRB069J-104	100K 1/10W NETWORK RE	
	RA804	QRB109J-104	100K 1/10W NETWORK RE	
	RA805	QRB149J-104	100K 1/10W RESISTOR A	
	RA806	QRB109J-104	100K 1/10W NETWORK RE	
	RA807	QRB049J-103	10K 1/10W RESISTOR	

Δ SAFETY PARTS

OTHERS

Δ	ITEM	PART NUMBER	DESCRIPTION	AREA
		FSKL3007-001	SHIELD CASE	A
		FSMW1023-104A		BS
		FSMW1023-104A		C
		FSMW1023-004A		EF
		FSMW1023-104A		EN
		FSMW1023-104A		G
		FSMW1023-104A		GI
		FSMW1023-004A		J
		FSMW1023-203A		U
		QWE881-16RR	VINYL WIRE	U
		QWE882-16RR	VINYL WIRE	U
		QWE883-16RR	VINYL WIRE	U
		QWE884-19RR	VINYL WIRE	U
		QWE886-18RR	VINYL WIRE	U
		QWE885-17RR	VINYL WIRE	U
		E406779-001	SPACER	U
		FSMW1023-203A		US
		QWE881-16RR	VINYL WIRE	US
		QWE882-16RR	VINYL WIRE	US
		QWE883-16RR	VINYL WIRE	US
		QWE884-19RR	VINYL WIRE	US
		QWE886-18RR	VINYL WIRE	US
		QWE885-17RR	VINYL WIRE	US
		E406779-001	SPACER	US
		FSMW1023-203A		UT
		QWE881-16RR	VINYL WIRE	UT
		QWE882-16RR	VINYL WIRE	UT
		QWE883-16RR	VINYL WIRE	UT
		QWE884-19RR	VINYL WIRE	UT
		QWE886-18RR	VINYL WIRE	UT
		QWE885-17RR	VINYL WIRE	UT
		E406779-001	SPACER	UT
		FSMW1023-103A		VX
		EWT011-124	TERMINAL WI	A
		EWT011-124	TERMINAL WI	BS
		EWT011-124	TERMINAL WI	EF
		EWT011-124	TERMINAL WI	EN
		EWT011-124	TERMINAL WI	G
		EWT011-124	TERMINAL WI	GI
		EWT011-124	TERMINAL WI	VX
	J400	EMN00TV-222AJ2	PIN JACK	
	J412	QMS3R10-E40S	MICROPHONE	
	J413	QMS3R80-EE0S	HEADPHONE J	U
	J413	QMS3R80-EE0S	HEADPHONE J	US
	J413	QMS3R80-EE0S	HEADPHONE J	UT
	J501	VMC0107-R10	CONNECT TER 10PIN	
	P401	EMV7163-012	CONNECT TER 12PIN	
	P402	EMV7163-010	CONNECT TER 10PIN	
	S800	QSQ1001-E01AJ4	PUSH SWITCH REC	
	S801	QSQ1001-E01AJ4	PUSH SWITCH DAILY	
	S802	QSQ1001-E01AJ4	PUSH SWITCH CLOCK ADJ	
	S803	QSQ1001-E01AJ4	PUSH SWITCH SOURCE	
	S804	QSQ1001-E01AJ4	PUSH SWITCH MIN	
	S805	QSQ1001-E01AJ4	PUSH SWITCH HOUR	
	S806	QSQ1001-E01AJ4	PUSH SWITCH PRESET >	
	S807	QSQ1001-E01AJ4	PUSH SWITCH PRESET <	
	S808	QSQ1001-E01AJ4	PUSH SWITCH FM	
	S809	QSQ1001-E01AJ4	PUSH SWITCH POWER	
	S810	QSQ1001-E01AJ4	PUSH SWITCH FM/MUTE	
	S811	QSQ1001-E01AJ4	PUSH SWITCH AM	
	S812	QSQ1001-E01AJ4	PUSH SWITCH AUX	
	S813	QSQ1001-E01AJ4	PUSH SWITCH KARAOKE/SLEEP	U
	S813	QSQ1001-E01AJ4	PUSH SWITCH KARAOKE/SLEEP	US
	S813	QSQ1001-E01AJ4	PUSH SWITCH KARAOKE/SLEEP	UT
	S814	QSQ1001-E01AJ4	PUSH SWITCH AUTO.P.OFF/ECHO	
	S815	QSQ1001-E01AJ4	PUSH SWITCH ON/OFF	
	S816	QSQ1001-E01AJ4	PUSH SWITCH HIGH/LOW	
	S817	QSQ1001-E01AJ4	PUSH SWITCH A ◀	
	S818	QSQ1001-E01AJ4	PUSH SWITCH A ■	
	S819	QSQ1001-E01AJ4	PUSH SWITCH A ▶	
	S820	QSQ1001-E01AJ4	PUSH SWITCH A ◀◀	
	S821	QSQ1001-E01AJ4	PUSH SWITCH A ▶▶	
	S822	QSQ1001-E01AJ4	PUSH SWITCH DOLBY	
	S823	QSQ1001-E01AJ4	PUSH SWITCH REV.MODE	
	S824	QSQ1001-E01AJ4	PUSH SWITCH DUBBING	
	S825	QSQ1001-E01AJ4	PUSH SWITCH REC PAUSE	
	S826	QSQ1001-E01AJ4	PUSH SWITCH B ◀◀	
	S827	QSQ1001-E01AJ4	PUSH SWITCH B ▶▶	
	S828	QSQ1001-E01AJ4	PUSH SWITCH B ◀	
	S829	QSQ1001-E01AJ4	PUSH SWITCH B ■	
	S830	QSQ1001-E01AJ4	PUSH SWITCH B ▶	
	S831	QSQ1001-E01AJ4	PUSH SWITCH REPEAT	
	S832	QSQ1001-E01AJ4	PUSH SWITCH RANDOM	
	S833	QSQ1001-E01AJ4	PUSH SWITCH PROGRAM	

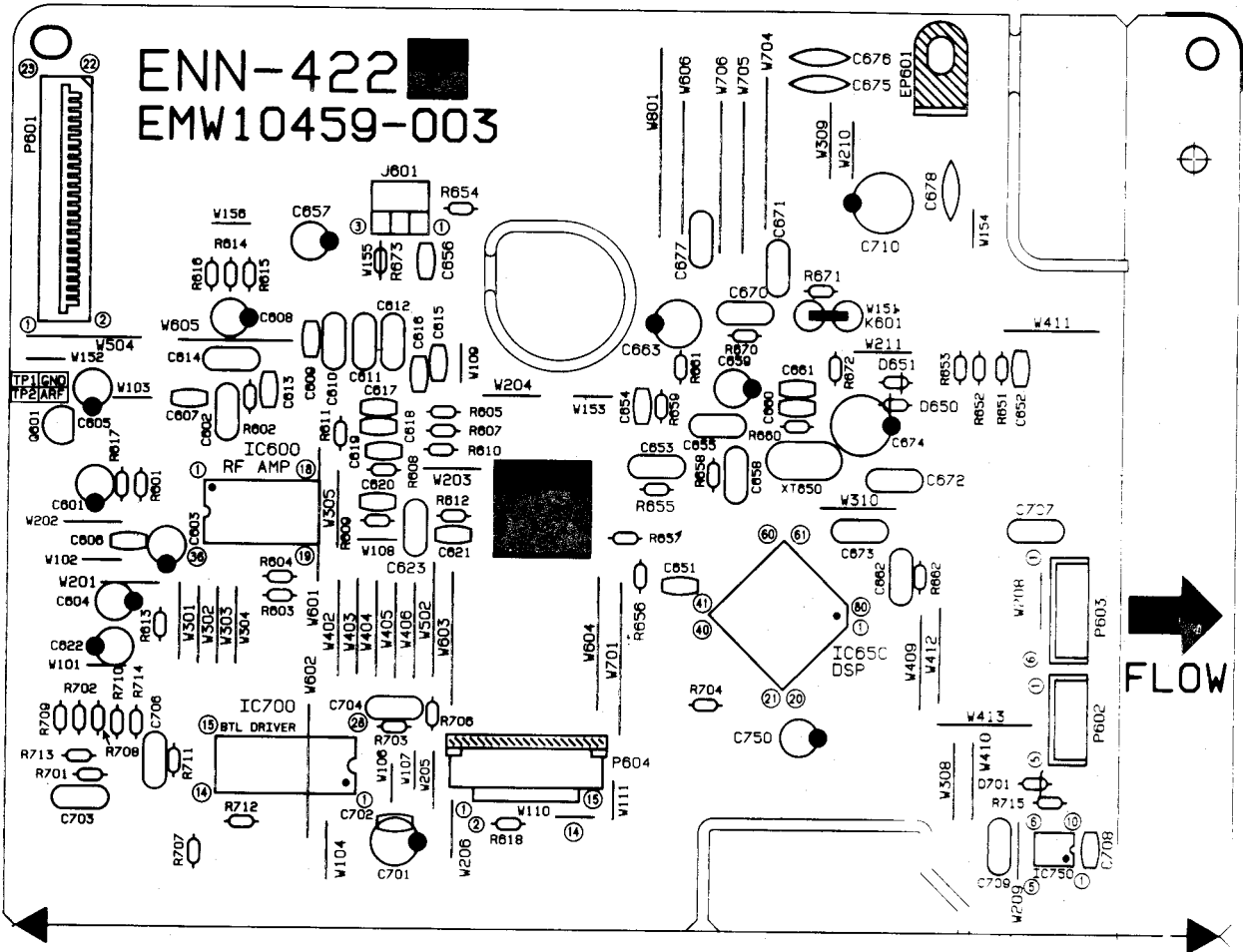
Δ SAFETY PARTS

OTHERS

Δ	ITEM	PART NUMBER	DESCRIPTION	AREA
	S834	QSQ1001-E01AJ4	PUSH SWITCH ▲	
	S835	QSQ1001-E01AJ4	PUSH SWITCH ■	
	S836	QSQ1001-E01AJ4	PUSH SWITCH ■	
	S837	QSQ1001-E01AJ4	PUSH SWITCH CD REC	
	S838	QSQ1001-E01AJ4	PUSH SWITCH SIDE A/B	
	S839	QSQ1001-E01AJ4	PUSH SWITCH AUDIO EDIT	
	S840	QSQ1001-E01AJ4	PUSH SWITCH ■/CLEAR	
	S841	QSQ1001-E01AJ4	PUSH SWITCH ▶	
	BC102	EWS267-F928	SOCKET WIRE 7PIN	
	BC410	EWS293-0130	SOCKET WIRE 3PIN	
	BC801	EWS328-A930	SOCKET WIRE 11PIN	
	FL800	ELU001-190	FLUORESCENT	
	FT001	VMZ0087-001Z	FUSE HOLDER	
	FT002	VMZ0087-001Z	FUSE HOLDER	
	FT003	VMZ0087-001Z	FUSE HOLDER	
	FT004	VMZ0087-001Z	FUSE HOLDER	
	FT005	VMZ0087-001Z	FUSE HOLDER	
	FT006	VMZ0087-001Z	FUSE HOLDER	
	FT101	VMZ0087-001Z	FUSE HOLDER	U
	FT101	VMZ0087-001Z	FUSE HOLDER	US
	FT101	VMZ0087-001Z	FUSE HOLDER	UT
	FT102	VMZ0087-001Z	FUSE HOLDER	U
	FT102	VMZ0087-001Z	FUSE HOLDER	US
	FT102	VMZ0087-001Z	FUSE HOLDER	UT
	JB101	EMV5140-010	VOLUME SOCK	
	JB801	VMC0161-025	CONNECT TER 25PIN	
	JB852	VMC0161-R19	CONNECT TER 19PIN	
	JS800	QSJ4002-E02	PUSH SWITCH MUSIC JOG	
	RS001	QSR8001-E01U	ROTARY SWIT	U
	RS001	QSR8001-E01U	ROTARY SWIT	US
	RS001	QSR8001-E01U	ROTARY SWIT	UT
	TB001	EMZ4001-001	TAB	
	TB002	EMZ4001-001	TAB	
	TC801	ENZ1003-015	TRIMMER CAP	
	XT801	ECX0006-000KNJ	CRYSTAL	

Δ SAFETY PARTS

■ ENN-422 □ CD Servo PC Board Ass'y



TRANSISTORS

Δ	ITEM	PART NUMBER	DESCRIPTION	AREA
	Q601	2SA1015(Y,GR)	SI.TRANSIST	

▲ SAFETY PARTS

I. C. S.

Δ	ITEM	PART NUMBER	DESCRIPTION	AREA
	IC600	AN8806SB	I.C.(M) MATSUSHITA	
	IC650	MN66271RAM	I.C.(M) MATSUSHITA	
	IC700	BA6398FP	I.C.(MONO-AN ROHM	
	IC750	TAB409F	I.C.(MONO-AN TOSHIBA	

▲ SAFETY PARTS

DIODES

Δ	ITEM	PART NUMBER	DESCRIPTION	AREA
	D650	1SS133	SI.DIODE ROHM	
	D651	1SS133	SI.DIODE ROHM	
	D701	MTZ6.2JB	ZENER DIODE ROHM	

▲ SAFETY PARTS

CAPACITORS

Δ	ITEM	PART NUMBER	DESCRIPTION	AREA
	C601	QER50JM-476	47MF 6.3V AL E.CAPAC	
	C602	QCZ0202-155	1.5MF 25V CER.RESIST	
	C604	QETB1AM-107	100MF 10V AL E.CAPAC	
	C605	QER51EM-106	10MF 25V E.CAPACITO	
	C606	QCHB1EZ-223	0.022MF 25V CER.CAPACI	
	C607	QCSB1HJ-680	68PF 50V CER.CAPACI	
	C608	QETB1HM-105	1MF 50V AL E.CAPAC	
	C609	QCB1HK-101Y	100PF 50V CER.CAPACI	
	C610	QFN81HJ-273	0.027MF 50V METAL.MYLA	
	C611	QFN81HJ-472	4700PF 50V MYLAR CAPA	
	C612	QFN31HJ-332Z	3300PF 50V MYLAR CAPA	
	C613	QCT30CH-3R3Y	3.3PF 50V CER.CAPACI	
	C614	QFV81HJ-104	0.1MF 50V THIN FILM	
	C615	QCHB1EZ-223	0.022MF 25V CER.CAPACI	
	C616	QCHB1EZ-223	0.022MF 25V CER.CAPACI	
	C617	QCHB1EZ-223	0.022MF 25V CER.CAPACI	
	C618	QCB1CM-222Y	2200PF 16V CER.CAPACI	
	C619	QCB1HK-271Y	270PF 50V CER.CAPACI	
	C620	QCSB1HJ-470	47PF 50V CER.CAPACI	
	C621	QCB1HK-821	820PF 50V CER.CAPACI	
	C622	QETB1AM-476	47MF 10V E.CAPACITO	
	C623	EFH001J-104		METAL.MYLA
	C651	QCB1HK-471Y	470PF 50V CER.CAPACI	
	C652	QCHB1EZ-223	0.022MF 25V CER.CAPACI	
	C653	QFN81HJ-223	0.022MF 50V METAL.MYLA	
	C654	QCHB1EZ-223	0.022MF 25V CER.CAPACI	
	C655	QFV81HJ-334	0.33MF 50V TF.CAPACIT	
	C658	QFV81HJ-104	0.1MF 50V THIN FILM	
	C660	QCT30CH-120Y	12PF 50V CER.CAPACI	
	C661	QCT30CH-120Y	12PF 50V CER.CAPACI	
	C662	QFV81HJ-104	0.1MF 50V THIN FILM	
	C663	QETB1AM-107	100MF 10V AL E.CAPAC	
	C670	QFN31HJ-332Z	3300PF 50V MYLAR CAPA	
	C671	QFN31HJ-332Z	3300PF 50V MYLAR CAPA	
	C673	QFV81HJ-104	0.1MF 50V THIN FILM	

▲ SAFETY PARTS

CAPACITORS

△	ITEM	PART NUMBER	DESCRIPTION	AREA
	C674	QETB0JM-477	470MF 6.3V AL E.CAPAC	
	C676	QCF21HP-223A	0.022MF 50V CER.CAPACI	
	C677	QCZ0202-155	1.5MF 25V CER.RESIST	
	C701	QETB1AM-107	100MF 10V AL E.CAPAC	
	C702	QCHB1EZ-223	0.022MF 25V CER.CAPACI	
	C703	QFN81HJ-273	0.027MF 50V METAL.MYLA	
	C704	QFN81HJ-183	0.018MF 50V METAL.MYLA	
	C706	QFN81HJ-273	0.027MF 50V METAL.MYLA	
	C707	QFV81HJ-104	0.1MF 50V THIN FILM	
	C708	QCHB1EZ-223	0.022MF 25V CER.CAPACI	

△ SAFETY PARTS

RESISTORS

△	ITEM	PART NUMBER	DESCRIPTION	AREA
	R602	QRD161J-123	12K 1/6W CARBON RES	
	R605	QRD167J-134	130K 1/6W CARBON RES	
	R607	QRD161J-913	91K 1/6W CARBON RES	
	R608	QRD161J-273	27K 1/6W CARBON RES	
	R609	QRD161J-114	110K 1/6W CARBON RES	
	R610	QRD167J-154	150K 1/6W CARBON RES	
	R611	QRD161J-394	390K 1/6W CARBON RES	
	R612	QRD161J-103	10K 1/6W CARBON RES	
	R613	QRD167J-121	120 1/6W CARBON RES	
	R614	QRD161J-470	47 1/6W CARBON RES	
	R615	QRD161J-470	47 1/6W CARBON RES	
	R616	QRD161J-470	47 1/6W CARBON RES	
	R617	QRD161J-2R2	2.2 1/6W CARBON RES	
	R618	QRD161J-910Y	91 1/6W CARBON RES	
	R651	QRD161J-102	1K 1/6W CARBON RES	
	R652	QRD161J-102	1K 1/6W CARBON RES	
	R653	QRD161J-102	1K 1/6W CARBON RES	
	R655	QRD167J-155	1.5M 1/6W CARBON RES	
	R656	QRD161J-104	100K 1/6W CARBON RES	
	R657	QRD161J-104	100K 1/6W CARBON RES	
	R658	QRD161J-681	680 1/6W CARBON RES	
	R659	QRD161J-124	120K 1/6W CARBON RES	
	R660	QRD167J-121	120 1/6W CARBON RES	
	R661	QRD161J-2R2	2.2 1/6W CARBON RES	
	R662	QRD161J-2R2	2.2 1/6W CARBON RES	
	R670	QRD161J-122	1.2K 1/6W CARBON RES	
	R671	QRD161J-122	1.2K 1/6W CARBON RES	
	R672	QRD161J-221	220 1/6W CARBON RES	
	R701	QRD161J-821	820 1/6W CARBON RES	
	R702	QRD167J-562	5.6K 1/6W CARBON RES	
	R703	QRD161J-112	1.1K 1/6W CARBON RES	
	R704	QRD167J-113	11K 1/6W CARBON RES	
	R706	QRD161J-124	120K 1/6W CARBON RES	
	R707	QRD167J-332	3.3K 1/6W CARBON RES	
	R708	QRD161J-752	7.5K 1/6W CARBON RES	
	R709	QRD167J-223	22K 1/6W CARBON RES	
	R710	QRD161J-392	3.9K 1/6W CARBON RES	
	R711	QRD167J-153	15K 1/6W CARBON RES	
	R712	QRD161J-752	7.5K 1/6W CARBON RES	
	R713	QRD167J-751	750 1/6W CARBON RES	
	R714	QRD167J-433	43K 1/6W CARBON RES	
	R715	QRD161J-471	470 1/6W CARBON RES	

△ SAFETY PARTS

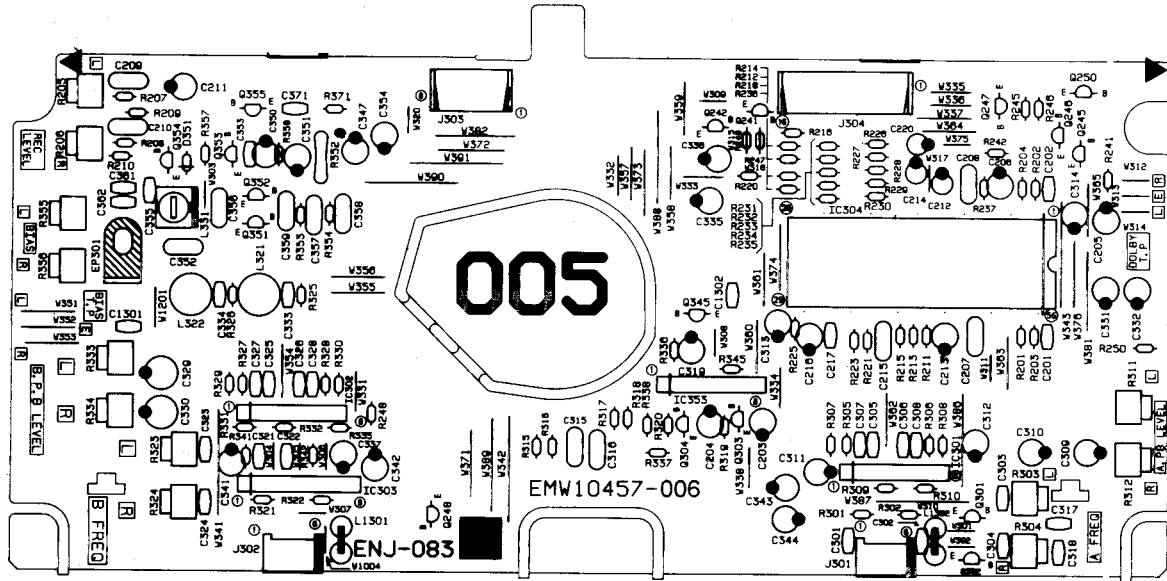
OTHERS

△	ITEM	PART NUMBER	DESCRIPTION	AREA
	P601	EMW10459-003A	CIR. BOARD	
	P602	VMC0161-023	CONNECT TER 23PIN	
	P603	EMV5109-005A	MALE CONNEX 5PIN	
	P604	EMV5109-006A	CONNECT TER 6PIN	
	P604	EMV7144-015R	CONNECT TER 15PIN	
	EP601	EMZ4002-001Z	EARTH PLATE	
	IH750	VYH7653-004	I.C.PROTECT	
	SP600	VYH7653-002	I.C.SOCKET	
	SP700	VYH7653-002	I.C.SOCKET	
	XT650	VCX5016-934V	CRYSTAL	

△ SAFETY PARTS

■ ENJ-083 □ Deck Control PC Board Ass'y

Note : ENJ-083 □ varies according to the areas employd. See note (1) when placing an order.



Note (1)

PC Board Ass'y	Version	Dasignated Areas
ENJ-083 A	A	Australia
	J	the U.S.A.
	C	Canada
	U	Universal Type
	US	Singapore
	UT	Taiwan
ENJ-083 B	BS	the U.K.
	EF	Continental Europe
	EN	Scandinavia
	G	Germany
	GI	Italy
	VX	East Europe

DIODES

Δ	ITEM	PART NUMBER	DESCRIPTION	AREA
	D351	1SS133	SI. DIODE ROHM	BS
	D351	1SS133	SI. DIODE ROHM	EF
	D351	1SS133	SI. DIODE ROHM	EN
	D351	1SS133	SI. DIODE ROHM	G
	D351	1SS133	SI. DIODE ROHM	GI
	D351	1SS133	SI. DIODE ROHM	VX

Δ SAFETY PARTS

CAPACITORS

Δ	ITEM	PART NUMBER	DESCRIPTION	AREA
	C201	QCXB1CM-472Y	4700PF 16V CER. CAPACI	
	C202	QCXB1CM-472Y	4700PF 16V CER. CAPACI	
	C203	QETB1HM-105	1MF 50V AL E. CAPAC	
	C204	QETB1HM-105	1MF 50V AL E. CAPAC	
	C205	QETB1EM-106	10MF 25V AL E. CAPAC	
	C206	QETB1EM-106	10MF 25V AL E. CAPAC	
	C207	QFV81HJ-104	0.1MF 50V THIN FILM	
	C208	QFV81HJ-104	0.1MF 50V THIN FILM	
	C211	QETB1HM-105	1MF 50V AL E. CAPAC	
	C212	QEK51HM-105	1MF 50V AL E. CAPAC	
	C213	QEK51HM-334G	0.33MF 50V AL E. CAPAC	
	C214	QEK51HM-334G	0.33MF 50V AL E. CAPAC	
	C215	QFN81HJ-472	4700PF 50V MYLAR CAPA	
	C216	QETB1HM-474	0.47MF 50V ELECTRO	
	C217	QCXB1CM-222Y	2200PF 16V CER. CAPACI	
	C220	QEK51HM-225G	2.2MF 50V AL E. CAPAC	
	C221	QETB1HM-475E	4.7MF 50V E. CAPACITO	
	C301	QCB1HK-821Y	820PF 50V CER. CAPACI	
	C302	QCB1HK-821Y	820PF 50V CER. CAPACI	
	C303	QCB1HK-331Y	330PF 50V CER. CAPACI	
	C304	QCB1HK-331Y	330PF 50V CER. CAPACI	
	C305	QCB1HK-101Y	100PF 50V CER. CAPACI	
	C306	QCB1HK-101Y	100PF 50V CER. CAPACI	
	C307	QCVB1CM-822Y	8200PF 16V CER. CAPACI	
	C308	QCVB1CM-822Y	8200PF 16V CER. CAPACI	
	C309	QETB1AM-107	100MF 10V AL E. CAPAC	
	C310	QETB1AM-107	100MF 10V AL E. CAPAC	
	C311	QETB1HM-105	1MF 50V AL E. CAPAC	
	C312	QETB1HM-105	1MF 50V AL E. CAPAC	
	C313	QETB1AM-107	100MF 10V AL E. CAPAC	
	C314	QETB1AM-107	100MF 10V AL E. CAPAC	
	C315	QFV81HJ-473	0.047MF 50V THIN FILM	
	C316	QFV81HJ-473	0.047MF 50V THIN FILM	
	C319	QETB1AM-476	47MF 10V E. CAPACITO	
	C321	QCXB1CM-122	1200PF 16V POLYPROPY.	
	C322	QCXB1CM-122	1200PF 16V POLYPROPY.	
	C323	QCB1HK-331Y	330PF 50V CER. CAPACI	
	C324	QCB1HK-331Y	330PF 50V CER. CAPACI	
	C325	QCB1HK-101Y	100PF 50V CER. CAPACI	
	C326	QCB1HK-101Y	100PF 50V CER. CAPACI	
	C327	QCVB1CM-822Y	8200PF 16V CER. CAPACI	
	C328	QCVB1CM-822Y	8200PF 16V CER. CAPACI	
	C329	QEK51CM-107	100MF 16V E. CAPACITO	
	C330	QEK51CM-107	100MF 16V E. CAPACITO	
	C331	QETB1HM-105	1MF 50V AL E. CAPAC	

Δ SAFETY PARTS

TRANSISTORS

Δ	ITEM	PART NUMBER	DESCRIPTION	AREA
	Q245	2SD2144S(VW)	SI. TRANSIST ROHM	
	Q246	2SD2144S(VW)	SI. TRANSIST ROHM	
	Q247	DTA144ES	DIGITAL TRA ROHM	
	Q248	DTC144ES	DIGITAL TRA ROHM	
	Q303	2SC1740S(R,S)	SI. TRANSIST ROHM	
	Q304	2SC1740S(R,S)	SI. TRANSIST ROHM	
	Q345	DTC144ES	DIGITAL TRA ROHM	
	Q351	2SC1740S(R,S)	SI. TRANSIST ROHM	
	Q352	2SC1740S(R,S)	SI. TRANSIST ROHM	
	Q353	2SC1740S(R,S)	SI. TRANSIST ROHM	
	Q354	2SC1740S(R,S)	SI. TRANSIST ROHM	BS
	Q354	2SC1740S(R,S)	SI. TRANSIST ROHM	EF
	Q354	2SC1740S(R,S)	SI. TRANSIST ROHM	EN
	Q354	2SC1740S(R,S)	SI. TRANSIST ROHM	G
	Q354	2SC1740S(R,S)	SI. TRANSIST ROHM	GI
	Q354	2SC1740S(R,S)	SI. TRANSIST ROHM	VX
	Q355	DTA144ES	DIGITAL TRA ROHM	BS
	Q355	DTA144ES	DIGITAL TRA ROHM	EF
	Q355	DTA144ES	DIGITAL TRA ROHM	EN
	Q355	DTA144ES	DIGITAL TRA ROHM	G
	Q355	DTA144ES	DIGITAL TRA ROHM	GI
	Q355	DTA144ES	DIGITAL TRA ROHM	VX

Δ SAFETY PARTS

I. C. S.

Δ	ITEM	PART NUMBER	DESCRIPTION	AREA
	IC301	NJM4580LD.	I.C.(MONO-AN DAINICHI	
	IC302	NJM4580LD	I.C.(MONO-AN DAINICHI	
	IC303	UPC1330HA	I.C.(MONO-AN NEC	
	IC304	HA12171NT	I.C.(MONO-AN HITACHI	
	IC353	BA8221AN	I.C.(MONO-AN ROHM	

Δ SAFETY PARTS

CAPACITORS

Δ	ITEM	PART NUMBER	DESCRIPTION			AREA
	C332	QETB1HM-105	1MF	50V	AL E.CAPAC	
	C333	QCBB1HK-101Y	100PF	50V	CER.CAPACI	
	C334	QCBB1HK-101Y	100PF	50V	CER.CAPACI	
	C335	QETB1HM-106	10MF	50V	E.CAPACITO	
	C336	QETB1HM-106	10MF	50V	E.CAPACITO	
	C337	QEK51CM-226	22MF	16V	AL E.CAPAC	
	C341	QER61HM-105Z	1MF	50V	AL E.CAPAC	
	C342	QER61HM-105Z	1MF	50V	AL E.CAPAC	
	C343	QETB1AM-107	100MF	10V	AL E.CAPAC	
	C344	QETB1AM-107	100MF	10V	AL E.CAPAC	
	C347	QETB1AM-107	100MF	10V	AL E.CAPAC	
	C350	QETB1HM-105	1MF	50V	AL E.CAPAC	
	C351	QETB1AM-107	100MF	10V	AL E.CAPAC	
	C352	QFPB1HJ-562	5600PF	50V	POLYPROP.Y.	
	C353	QCVB1CM-103Y	0.01MF	16V	CER.CAPACI	
	C354	QETB1AM-107	100MF	10V	AL E.CAPAC	
	C355	QCBB1HK-471Y	470PF	50V	CER.CAPACI	BS
	C355	QCBB1HK-471Y	470PF	50V	CER.CAPACI	EF
	C355	QCBB1HK-471Y	470PF	50V	CER.CAPACI	EN
	C355	QCBB1HK-471Y	470PF	50V	CER.CAPACI	G
	C355	QCBB1HK-471Y	470PF	50V	CER.CAPACI	GI
	C355	QCBB1HK-471Y	470PF	50V	CER.CAPACI	VX
	C356	QFN81HJ-153	0.015MF	50V	MYLAR CAPA	
	C357	QFN31HJ-332Z	3300PF	50V	MYLAR CAPA	
	C358	QFN31HJ-332Z	3300PF	50V	MYLAR CAPA	
	C359	QFN81HJ-682	6800PF	50V	METAL.MYLA	
	C361	QCBB1HK-101Y	100PF	50V	CER.CAPACI	
	C362	QCBB1HK-101Y	100PF	50V	CER.CAPACI	
	C371	QCHB1EZ-223	0.022MF	25V	CER.CAPACI	BS
	C371	QCHB1EZ-223	0.022MF	25V	CER.CAPACI	EF
	C371	QCHB1EZ-223	0.022MF	25V	CER.CAPACI	EN
	C371	QCHB1EZ-223	0.022MF	25V	CER.CAPACI	G
	C371	QCHB1EZ-223	0.022MF	25V	CER.CAPACI	GI
	C371	QCHB1EZ-223	0.022MF	25V	CER.CAPACI	VX
	C1301	QCBB1HK-102Y	1000PF	50V	CER.CAPACI	A
	C1301	QCBB1HK-102Y	1000PF	50V	CER.CAPACI	BS
	C1301	QCBB1HK-102Y	1000PF	50V	CER.CAPACI	EF
	C1301	QCBB1HK-102Y	1000PF	50V	CER.CAPACI	EN
	C1301	QCBB1HK-102Y	1000PF	50V	CER.CAPACI	G
	C1301	QCBB1HK-102Y	1000PF	50V	CER.CAPACI	GI
	C1301	QCBB1HK-102Y	1000PF	50V	CER.CAPACI	VX
	C1302	QCBB1HK-102Y	1000PF	50V	CER.CAPACI	A
	C1302	QCBB1HK-102Y	1000PF	50V	CER.CAPACI	BS
	C1302	QCBB1HK-102Y	1000PF	50V	CER.CAPACI	EF
	C1302	QCBB1HK-102Y	1000PF	50V	CER.CAPACI	EN
	C1302	QCBB1HK-102Y	1000PF	50V	CER.CAPACI	G
	C1302	QCBB1HK-102Y	1000PF	50V	CER.CAPACI	GI
	C1302	QCBB1HK-102Y	1000PF	50V	CER.CAPACI	VX

Δ SAFETY PARTS

RESISTORS

Δ	ITEM	PART NUMBER	DESCRIPTION			AREA
	R306	QRD167J-334	330K	1/6W	CARBON RES	
	R307	QRD161J-203	20K	1/6W	CARBON RES	
	R308	QRD161J-203	20K	1/6W	CARBON RES	
	R309	QRD161J-391	390	1/6W	CARBON RES	
	R310	QRD161J-391	390	1/6W	CARBON RES	
	R311	QVPA603-501A	500		TRIMMER RE	
	R312	QVPA603-501A	500		TRIMMER RE	
	R315	QRD161J-564	560K	1/6W	CARBON RES	
	R316	QRD161J-564	560K	1/6W	CARBON RES	
	R317	QRD161J-103	10K	1/6W	CARBON RES	
	R318	QRD161J-103	10K	1/6W	CARBON RES	
	R319	QRD167J-332	3.3K	1/6W	CARBON RES	
	R320	QRD167J-332	3.3K	1/6W	CARBON RES	
	R321	QRD161J-100	10	1/6W	CARBON RES	
	R322	QRD161J-100	10	1/6W	CARBON RES	
	R323	QVPA603-104A	100K		TRIMMER RE	
	R324	QVPA603-104A	100K		TRIMMER RE	
	R325	QRD167J-153	15K	1/6W	CARBON RES	
	R326	QRD167J-153	15K	1/6W	CARBON RES	
	R327	QRD167J-334	330K	1/6W	CARBON RES	
	R328	QRD167J-334	330K	1/6W	CARBON RES	
	R329	QRD161J-203	20K	1/6W	CARBON RES	
	R330	QRD161J-203	20K	1/6W	CARBON RES	
	R331	QRD167J-151	150	1/6W	CARBON RES	
	R332	QRD167J-151	150	1/6W	CARBON RES	
	R333	QVPA603-501A	500		TRIMMER RE	
	R334	QVPA603-501A	500		TRIMMER RE	
	R335	QRD161J-101	100	1/6W	CARBON RES	
	R336	QRD161J-105	1M	1/6W	CARBON RES	
	R337	QRD161J-133Y	13K	1/6W	CARBON RES	
	R338	QRD161J-133Y	13K	1/6W	CARBON RES	
	R341	QRD167J-334	330K	1/6W	CARBON RES	
	R342	QRD167J-334	330K	1/6W	CARBON RES	
	R345	QRD161J-103	10K	1/6W	CARBON RES	
	R352	QRD14CJ-6R8SX	6.8	1/4W	UNF.CARBON	
	R353	QRD161J-393	39K	1/6W	CARBON RES	
	R354	QRD161J-393	39K	1/6W	CARBON RES	
	R355	QVPA603-104A	100K		TRIMMER RE	
	R356	QVPA603-104A	100K		TRIMMER RE	
	R357	QRD161J-561	560	1/6W	CARBON RES	BS
	R357	QRD161J-561	560	1/6W	CARBON RES	EF
	R357	QRD161J-561	560	1/6W	CARBON RES	EN
	R357	QRD161J-561	560	1/6W	CARBON RES	G
	R357	QRD161J-561	560	1/6W	CARBON RES	GI
	R357	QRD161J-561	560	1/6W	CARBON RES	VX
	R358	QRD161J-103	10K	1/6W	CARBON RES	
	R371	QRD161J-102	1K	1/6W	CARBON RES	BS
	R371	QRD161J-102	1K	1/6W	CARBON RES	EF
	R371	QRD161J-102	1K	1/6W	CARBON RES	EN
	R371	QRD161J-102	1K	1/6W	CARBON RES	G
	R371	QRD161J-102	1K	1/6W	CARBON RES	GI
	R371	QRD161J-102	1K	1/6W	CARBON RES	VX

Δ SAFETY PARTS

RESISTORS

Δ	ITEM	PART NUMBER	DESCRIPTION			AREA
	R201	QRD167J-153	15K	1/6W	CARBON RES	
	R202	QRD167J-153	15K	1/6W	CARBON RES	
	R203	QRD161J-123	12K	1/6W	CARBON RES	
	R204	QRD161J-123	12K	1/6W	CARBON RES	
	R205	QVPA603-503A	50K		VARIABLE R	
	R206	QVPA603-503A	50K		VARIABLE R	
	R209	QRD167J-153	15K	1/6W	CARBON RES	
	R210	QRD167J-153	15K	1/6W	CARBON RES	
	R211	QRD161J-823	82K	1/6W	CARBON RES	
	R212	QRD167J-562	5.6K	1/6W	CARBON RES	
	R213	QRD161J-203	20K	1/6W	CARBON RES	
	R214	QRD167J-682	6.8K	1/6W	CARBON RES	
	R215	QRD167J-153	15K	1/6W	CARBON RES	
	R216	QRD167J-332	3.3K	1/6W	CARBON RES	
	R218	QRD161J-472	4.7K	1/6W	CARBON RES	
	R220	QRD161J-243	24K	1/6W	CARBON RES	
	R221	QRD161J-103	10K	1/6W	CARBON RES	
	R223	QRD161J-183	18K	1/6W	CARBON RES	
	R225	QRD161J-184	180K	1/6W	CARBON RES	
	R226	QRD167J-223	22K	1/6W	CARBON RES	
	R227	QRD167J-223	22K	1/6W	CARBON RES	
	R228	QRD167J-223	22K	1/6W	CARBON RES	
	R229	QRD167J-223	22K	1/6W	CARBON RES	
	R230	QRD167J-223	22K	1/6W	CARBON RES	
	R231	QRD167J-223	22K	1/6W	CARBON RES	
	R232	QRD167J-223	22K	1/6W	CARBON RES	
	R233	QRD167J-223	22K	1/6W	CARBON RES	
	R234	QRD167J-223	22K	1/6W	CARBON RES	
	R235	QRD167J-223	22K	1/6W	CARBON RES	
	R237	QRD161J-183	18K	1/6W	CARBON RES	
	R241	QRD161J-392	3.9K	1/6W	CARBON RES	
	R242	QRD161J-392	3.9K	1/6W	CARBON RES	
	R245	QRD161J-472	4.7K	1/6W	CARBON RES	
	R246	QRD161J-472	4.7K	1/6W	CARBON RES	
	R248	QRD161J-103	10K	1/6W	CARBON RES	
	R301	QRD167J-334	330K	1/6W	CARBON RES	
	R302	QRD167J-334	330K	1/6W	CARBON RES	
	R303	QVPA603-104A	100K		TRIMMER RE	
	R304	QVPA603-104A	100K		TRIMMER RE	
	R305	QRD167J-334	330K	1/6W	CARBON RES	

Δ SAFETY PARTS

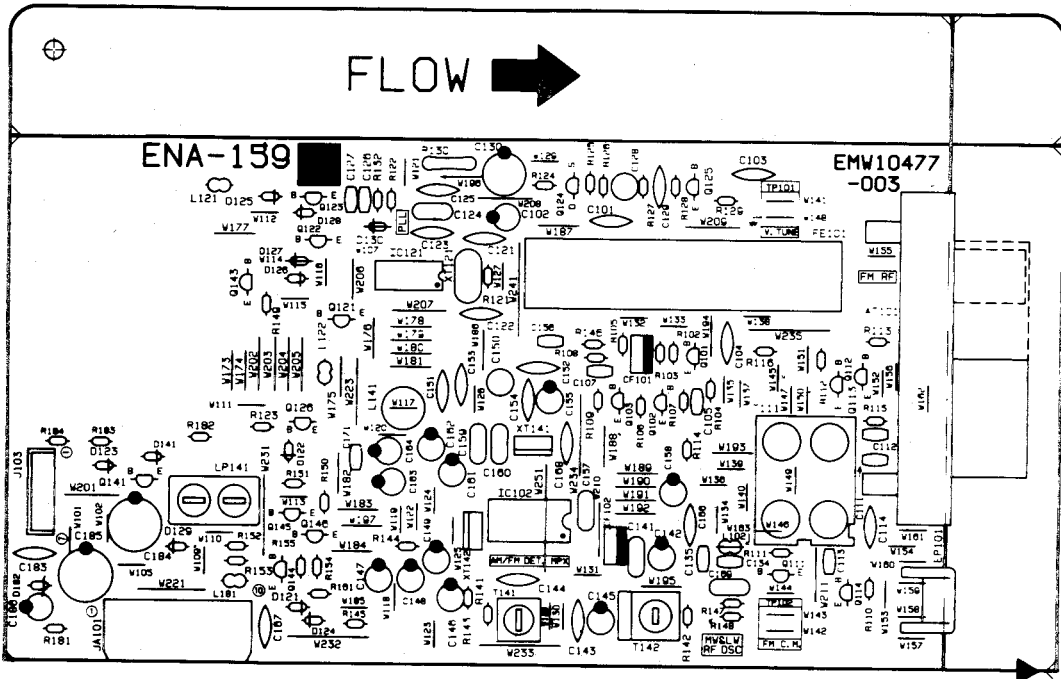
OTHERS

Δ	ITEM	PART NUMBER	DESCRIPTION			AREA
	J301	EMW10457-006A	CIR BOARD			
	J302	EMV7155-106R	CONNECT TER 6PIN			
	J303	EMV7155-106R	CONNECT TER 6PIN			
	J303	EMV5132-008R	CONNECT TER 8PIN			
	J304	EMV5132-016R	CONNECT TER 16PIN			
	L321	EQL2106-223	INDUCTOR			
	L322	EQL2106-223	INDUCTOR			
	L331	ENZ6002-012	OSCILLATOR			
	EP301	EMZ4002-001Z	EARTH PLATE			A
	EP301	EMZ4002-001Z	EARTH PLATE			BS
	EP301	EMZ4002-001Z	EARTH PLATE			EF
	EP301	EMZ4002-001Z	EARTH PLATE			EN
	EP301	EMZ4002-001Z	EARTH PLATE			G
	EP301	EMZ4002-001Z	EARTH PLATE			GI
	EP301	EMZ4002-001Z	EARTH PLATE			VX
	L1301	ENZ8101-007	INDUCTOR			A
	L1301	ENZ8101-007	INDUCTOR			BS
	L1301	ENZ8101-007	INDUCTOR			EF
	L1301	ENZ8101-007	INDUCTOR			EN
	L1301	ENZ8101-007	INDUCTOR			G
	L1301	ENZ8101-007	INDUCTOR			GI
	L1301	ENZ8101-007	INDUCTOR			VX
	L1302	ENZ8101-007	INDUCTOR			A
	L1302	ENZ8101-007	INDUCTOR			BS
	L1302	ENZ8101-007	INDUCTOR			EF
	L1302	ENZ8101-007	INDUCTOR			EN
	L1302	ENZ8101-007	INDUCTOR			G
	L1302	ENZ8101-007	INDUCTOR			GI
	L1302	ENZ8101-007	INDUCTOR			VX

Δ SAFETY PARTS

■ ENA-159 □ Tuner PC Board Ass'y

Note : ENA-159 □ varies according to the areas employd. See note (1) when placing an order.



Note (1)

PC Board Ass'y	Version	Designated Areas
ENA-159 [B]	J C	the U.S.A. Canada
ENA-159 [C]	BS	the U.K.
ENA-159 [D]	A	Australia
ENA-159 [E]	EN EF	Scandinavia Continental Europe
ENA-159 [F]	U UT US	Universal Type Taiwan Singapore
ENA-159 [G]	G GI	Germany Italy
ENA-159 [H]	VX	East Europe

TRANSISTORS

ITEM	PART NUMBER	DESCRIPTION	AREA
Q101	2SC461	SI. TRANSIST	
Q102	2SC535	SI. TRANSIST HITACHI	
Q103	2SC461	SI. TRANSIST	
Q111	2SD2144S(VW)	SI. TRANSIST ROHM	BS
Q111	2SD2144S(VW)	SI. TRANSIST ROHM	EF
Q111	2SD2144S(VW)	SI. TRANSIST ROHM	EN
Q111	2SD2144S(VW)	SI. TRANSIST ROHM	G
Q111	2SD2144S(VW)	SI. TRANSIST ROHM	GI
Q111	2SD2144S(VW)	SI. TRANSIST ROHM	VX
Q112	2SD2144S(VW)	SI. TRANSIST ROHM	BS
Q112	2SD2144S(VW)	SI. TRANSIST ROHM	EF
Q112	2SD2144S(VW)	SI. TRANSIST ROHM	EN
Q112	2SD2144S(VW)	SI. TRANSIST ROHM	G
Q112	2SD2144S(VW)	SI. TRANSIST ROHM	GI
Q112	2SD2144S(VW)	SI. TRANSIST ROHM	VX
Q113	2SC1740S(R,S)	SI. TRANSIST ROHM	BS
Q113	2SC1740S(R,S)	SI. TRANSIST ROHM	EF
Q113	2SC1740S(R,S)	SI. TRANSIST ROHM	EN
Q113	2SC1740S(R,S)	SI. TRANSIST ROHM	G
Q113	2SC1740S(R,S)	SI. TRANSIST ROHM	GI

△ SAFETY PARTS

TRANSISTORS

ITEM	PART NUMBER	DESCRIPTION	AREA
Q113	2SC1740S(R,S)	SI. TRANSIST ROHM	VX
Q114	2SD2144S(VW)	SI. TRANSIST ROHM	BS
Q114	2SD2144S(VW)	SI. TRANSIST ROHM	EF
Q114	2SD2144S(VW)	SI. TRANSIST ROHM	EN
Q114	2SD2144S(VW)	SI. TRANSIST ROHM	G
Q114	2SD2144S(VW)	SI. TRANSIST ROHM	GI
Q114	2SD2144S(VW)	SI. TRANSIST ROHM	VX
Q121	DTA144ES	DIGITAL TRA ROHM	
Q122	DTA144ES	DIGITAL TRA ROHM	
Q123	DTA144ES	DIGITAL TRA ROHM	BS
Q123	DTA144ES	DIGITAL TRA ROHM	EF
Q123	DTA144ES	DIGITAL TRA ROHM	EN
Q123	DTA144ES	DIGITAL TRA ROHM	G
Q123	DTA144ES	DIGITAL TRA ROHM	GI
Q123	DTA144ES	DIGITAL TRA ROHM	VX
Q124	2SK301(P,Q)	F.E.T. MATSUSHITA	
Q125	2SC458(C,D)	SI. TRANSIST HITACHI	
Q126	DTC114ES	DIGITAL TRA ROHM	
Q141	DTC114ES	DIGITAL TRA ROHM	
Q143	DTC114ES	DIGITAL TRA ROHM	

△ SAFETY PARTS

I. C. S.

ITEM	PART NUMBER	DESCRIPTION	AREA
IC102	LA1836M	I.C.(MONO-AN SANYO	
IC121	LC7218JMX	I.C.(DIGI-MO SANYO	

△ SAFETY PARTS

DIODES

ITEM	PART NUMBER	DESCRIPTION	AREA
D121	1SS133	SI. DIODE ROHM	
D122	1SS133	SI. DIODE ROHM	
D123	1SS133	SI. DIODE ROHM	
D124	1SS133	SI. DIODE ROHM	
D125	1SS133	SI. DIODE ROHM	
D125	1SS133	SI. DIODE ROHM	BS
D125	1SS133	SI. DIODE ROHM	EF
D125	1SS133	SI. DIODE ROHM	EN
D125	1SS133	SI. DIODE ROHM	G
D125	1SS133	SI. DIODE ROHM	GI
D125	1SS133	SI. DIODE ROHM	VX

△ SAFETY PARTS

DIODES

Δ	ITEM	PART NUMBER	DESCRIPTION	AREA
	D126	1SS133	SI.DIODE ROHM	
	D127	1SS133	SI.DIODE ROHM	BS
	D127	1SS133	SI.DIODE ROHM	EF
	D127	1SS133	SI.DIODE ROHM	EN
	D127	1SS133	SI.DIODE ROHM	G
	D127	1SS133	SI.DIODE ROHM	GI
	D127	1SS133	SI.DIODE ROHM	VX
	D128	1SS133	SI.DIODE ROHM	BS
	D128	1SS133	SI.DIODE ROHM	EF
	D128	1SS133	SI.DIODE ROHM	EN
	D128	1SS133	SI.DIODE ROHM	G
	D128	1SS133	SI.DIODE ROHM	GI
	D128	1SS133	SI.DIODE ROHM	VX
	D129	1SS133	SI.DIODE ROHM	
	D130	1SS133	SI.DIODE ROHM	
	D141	1SS133	SI.DIODE ROHM	
	D182	MTZ5.1JC	ZENER DIODE ROHM	

Δ SAFETY PARTS

CAPACITORS

Δ	ITEM	PART NUMBER	DESCRIPTION	AREA
	C101	QCF21HP-103A	0.01MF 50V CER.CAPACI	
	C102	QETB1HM-476	47MF 50V E.CAPACITO	
	C103	QCF21HP-223A	0.022MF 50V CER.CAPACI	
	C104	QCF21HP-223A	0.022MF 50V CER.CAPACI	
	C105	QCHB1EZ-223	0.022MF 25V CER.CAPACI	
	C107	QCHB1EZ-223	0.022MF 25V CER.CAPACI	
	C111	QCHB1EZ-223	0.022MF 25V CER.CAPACI	
	C112	QCT30CH-120Y	12PF 50V CER.CAPACI	
	C113	QCHB1EZ-223	0.022MF 25V CER.CAPACI	BS
	C113	QCHB1EZ-223	0.022MF 25V CER.CAPACI	EF
	C113	QCHB1EZ-223	0.022MF 25V CER.CAPACI	EN
	C113	QCHB1EZ-223	0.022MF 25V CER.CAPACI	G
	C113	QCHB1EZ-223	0.022MF 25V CER.CAPACI	GI
	C113	QCHB1EZ-223	0.022MF 25V CER.CAPACI	VX
	C114	QCC21EM-473	0.047MF 25V CER.CAPACI	
	C121	QCS21HJ-180A	18PF 50V CER.CAPACI	
	C122	QCS21HJ-180A	18PF 50V CER.CAPACI	
	C123	QCC21EM-473	0.047MF 25V CER.CAPACI	
	C124	QCZ0202-155	1.5MF 25V CER.RESIST	
	C125	QCF21HP-223A	0.022MF 50V CER.CAPACI	
	C126	QCB1HK-101Y	100PF 50V CER.CAPACI	
	C127	QCB1HK-101Y	100PF 50V CER.CAPACI	
	C128	QENB1HM-474	0.47MF 50V NP E.CAPAC	
	C129	QCY31HK-102Z	1000PF 50V CER.CAPACI	
	C130	QETB1CM-227	220MF 16V AL E.CAPAC	
	C134	QCSB1HK-5R6Y	5.6PF 50V CER.CAPACI	BS
	C134	QCSB1HK-5R6Y	5.6PF 50V CER.CAPACI	EF
	C134	QCSB1HK-5R6Y	5.6PF 50V CER.CAPACI	EN
	C134	QCSB1HK-5R6Y	5.6PF 50V CER.CAPACI	G
	C134	QCSB1HK-5R6Y	5.6PF 50V CER.CAPACI	GI
	C134	QCSB1HK-5R6Y	5.6PF 50V CER.CAPACI	VX
	C135	QCSB1HJ-150Y	15PF 50V CER.CAPACI	BS
	C135	QCSB1HJ-150Y	15PF 50V CER.CAPACI	EF
	C135	QCSB1HJ-150Y	15PF 50V CER.CAPACI	EN
	C135	QCSB1HJ-150Y	15PF 50V CER.CAPACI	G
	C135	QCSB1HJ-150Y	15PF 50V CER.CAPACI	GI
	C135	QCSB1HJ-150Y	15PF 50V CER.CAPACI	VX
	C141	QFN81HJ-473	0.047MF 50V METAL.MYLA	
	C142	QETB1HM-106	10MF 50V E.CAPACITO	
	C143	QCF21HP-223A	0.022MF 50V CER.CAPACI	
	C144	QCC21EM-223	0.022MF 25V CER.CAPACI	
	C145	QETB1HM-475E	4.7MF 50V E.CAPACITO	
	C146	QETB1HM-106	10MF 50V E.CAPACITO	
	C147	QETB1HM-105	1MF 50V AL E.CAPAC	
	C148	QETB1HM-474	0.47MF 50V ELECTRO	
	C149	QETB1HM-105	1MF 50V AL E.CAPAC	
	C150	QETC1HM-225ZN	2.2MF 50V AL E.CAPAC	
	C151	QCS21HJ-181A	180PF 50V CER.CAPACI	BS
	C151	QCS21HJ-181A	180PF 50V CER.CAPACI	EF
	C151	QCS21HJ-181A	180PF 50V CER.CAPACI	EN
	C151	QCS21HJ-181A	180PF 50V CER.CAPACI	G
	C151	QCS21HJ-181A	180PF 50V CER.CAPACI	GI
	C151	QCS21HJ-181A	180PF 50V CER.CAPACI	VX
	C152	QCS21HJ-181A	180PF 50V CER.CAPACI	BS
	C152	QCS21HJ-181A	180PF 50V CER.CAPACI	EF
	C152	QCS21HJ-181A	180PF 50V CER.CAPACI	EN
	C152	QCS21HJ-181A	180PF 50V CER.CAPACI	G
	C152	QCS21HJ-181A	180PF 50V CER.CAPACI	GI
	C152	QCS21HJ-181A	180PF 50V CER.CAPACI	VX
	C153	QCY31HK-102Z	1000PF 50V CER.CAPACI	A
	C153	QCY31HK-821Z	820PF 50V CER.CAPACI	BS
	C153	QCY31HK-102Z	1000PF 50V CER.CAPACI	C
	C153	QCY31HK-821Z	820PF 50V CER.CAPACI	EF
	C153	QCY31HK-821Z	820PF 50V CER.CAPACI	EN
	C153	QCY31HK-821Z	820PF 50V CER.CAPACI	G
	C153	QCY31HK-821Z	820PF 50V CER.CAPACI	GI
	C153	QCY31HK-102Z	1000PF 50V CER.CAPACI	J
	C153	QCY31HK-102Z	1000PF 50V CER.CAPACI	U
	C153	QCY31HK-102Z	1000PF 50V CER.CAPACI	US
	C153	QCY31HK-102Z	1000PF 50V CER.CAPACI	UT

Δ SAFETY PARTS

CAPACITORS

Δ	ITEM	PART NUMBER	DESCRIPTION	AREA
	C153	QCY31HK-821Z	820PF 50V CER.CAPACI	VX
	C154	QCY31HK-472Z	4700PF 50V CER.CAPACI	
	C155	QETB1EM-476	47MF 25V AL E.CAPAC	
	C156	QCHB1EZ-223	0.022MF 25V CER.CAPACI	
	C157	QCZ0202-155	1.5MF 25V CER.RESIST	
	C158	QETB1HM-106	10MF 50V E.CAPACITO	
	C159	QFN31HJ-223	0.022MF 50V MYLAR	A
	C159	QFN31HJ-223	0.022MF 50V MYLAR	BS
	C159	QFN81HJ-333	0.033MF 50V MYLAR CAPA	C
	C159	QFN81HJ-223	0.022MF 50V METAL.MYLA	EF
	C159	QFN81HJ-223	0.022MF 50V METAL.MYLA	EN
	C159	QFN81HJ-223	0.022MF 50V METAL.MYLA	G
	C159	QFN81HJ-223	0.022MF 50V METAL.MYLA	GI
	C159	QFN81HJ-333	0.033MF 50V MYLAR CAPA	J
	C159	QFN81HJ-333	0.033MF 50V MYLAR CAPA	U
	C159	QFN81HJ-333	0.033MF 50V MYLAR CAPA	US
	C159	QFN81HJ-333	0.033MF 50V MYLAR CAPA	UT
	C160	QFN31HJ-223	0.022MF 50V MYLAR	VX
	C160	QFN31HJ-223	0.022MF 50V MYLAR	A
	C160	QFN31HJ-223	0.022MF 50V MYLAR	BS
	C160	QFN81HJ-223	0.022MF 50V METAL.MYLA	C
	C160	QFN81HJ-223	0.022MF 50V METAL.MYLA	EF
	C160	QFN31HJ-223	0.022MF 50V MYLAR	EN
	C160	QFN81HJ-223	0.022MF 50V METAL.MYLA	G
	C160	QFN81HJ-223	0.022MF 50V METAL.MYLA	GI
	C160	QFN81HJ-333	0.033MF 50V MYLAR CAPA	J
	C160	QFN81HJ-333	0.033MF 50V MYLAR CAPA	U
	C160	QFN81HJ-333	0.033MF 50V MYLAR CAPA	US
	C160	QFN81HJ-333	0.033MF 50V MYLAR CAPA	UT
	C160	QFN81HJ-223	0.022MF 50V METAL.MYLA	VX
	C161	QETB1HM-225	2.2MF 50V AL E.CAPAC	
	C162	QETB1HM-225	2.2MF 50V AL E.CAPAC	
	C163	QETB1HM-225	2.2MF 50V AL E.CAPAC	
	C164	QETB1HM-225	2.2MF 50V AL E.CAPAC	
	C166	QCC21EM-473	0.047MF 25V CER.CAPACI	
	C167	QCHB1EZ-223	0.022MF 25V CER.CAPACI	
	C168	QCC21EM-473	0.047MF 25V CER.CAPACI	
	C169	QFV41HJ-274ZM	0.27MF 50V THIN FILM	
	C171	QCY31HK-102Z	1000PF 50V CER.CAPACI	
	C183	QCF21HP-223A	0.022MF 50V CER.CAPACI	
	C184	QETB1CM-227	220MF 16V AL E.CAPAC	
	C185	QETB1CM-477M	470MF 16V E.CAPACITO	
	C186	QETB1HM-475E	4.7MF 50V E.CAPACITO	

Δ SAFETY PARTS

RESISTORS

Δ	ITEM	PART NUMBER	DESCRIPTION	AREA
	R102	QRD167J-332	3.3K 1/6W CARBON RES	
	R103	QRD161J-221	220 1/6W CARBON RES	
	R104	QRD167J-272	2.7K 1/6W CARBON RES	
	R105	QRD161J-391	390 1/6W CARBON RES	
	R106	QRD161J-102	1K 1/6W CARBON RES	
	R107	QRD161J-681	680 1/6W CARBON RES	
	R108	QRD167J-332	3.3K 1/6W CARBON RES	
	R109	QRD161J-221	220 1/6W CARBON RES	
	R110	QRD161J-472	4.7K 1/6W CARBON RES	BS
	R110	QRD161J-472	4.7K 1/6W CARBON RES	EF
	R110	QRD161J-472	4.7K 1/6W CARBON RES	EN
	R110	QRD161J-472	4.7K 1/6W CARBON RES	G
	R110	QRD161J-472	4.7K 1/6W CARBON RES	GI
	R110	QRD161J-472	4.7K 1/6W CARBON RES	VX
	R111	QRD161J-472	4.7K 1/6W CARBON RES	BS
	R111	QRD161J-472	4.7K 1/6W CARBON RES	EF
	R111	QRD161J-472	4.7K 1/6W CARBON RES	EN
	R111	QRD161J-472	4.7K 1/6W CARBON RES	G
	R111	QRD161J-472	4.7K 1/6W CARBON RES	GI
	R111	QRD161J-472	4.7K 1/6W CARBON RES	VX
	R112	QRD161J-472	4.7K 1/6W CARBON RES	BS
	R112	QRD161J-472	4.7K 1/6W CARBON RES	EF
	R112	QRD161J-472	4.7K 1/6W CARBON RES	EN
	R112	QRD161J-472	4.7K 1/6W CARBON RES	G
	R112	QRD161J-472	4.7K 1/6W CARBON RES	GI
	R112	QRD161J-472	4.7K 1/6W CARBON RES	VX
	R113	QRD161J-103	10K 1/6W CARBON RES	BS
	R113	QRD161J-103	10K 1/6W CARBON RES	EF
	R113	QRD161J-103	10K 1/6W CARBON RES	EN
	R113	QRD161J-103	10K 1/6W CARBON RES	G
	R113	QRD161J-103	10K 1/6W CARBON RES	GI
	R113	QRD161J-103	10K 1/6W CARBON RES	VX
	R114	QRD161J-103	10K 1/6W CARBON RES	BS
	R114	QRD161J-103	10K 1/6W CARBON RES	EF
	R114	QRD161J-103	10K 1/6W CARBON RES	EN
	R114	QRD161J-103	10K 1/6W CARBON RES	G
	R114	QRD161J-103	10K 1/6W CARBON RES	GI
	R114	QRD161J-103	10K 1/6W CARBON RES	VX
	R115	QRD161J-104	100K 1/6W CARBON RES	
	R116	QRD161J-222	2.2K 1/6W CARBON RES	
	R121	QRD161J-473	47K 1/6W CARBON RES	
	R122	QRD161J-472	4.7K 1/6W CARBON RES	
	R123	QRD167J-562	5.6K 1/6W CARBON RES	
	R124	QRD161J-222	2.2K 1/6W CARBON RES	
	R125	QRD161J-222	2.2K 1/6W CARBON RES	

Δ SAFETY PARTS

RESISTORS

△	ITEM	PART NUMBER	DESCRIPTION	AREA
	R126	QRD161J-181	180 1/6W CARBON RES	
	R127	QRD167J-822	8.2K 1/6W CARBON RES	
	R128	QRD161J-472	4.7K 1/6W CARBON RES	
	R129	QRD161J-222	2.2K 1/6W CARBON RES	
△	R130	QRZ0077-680	68 1/4W FUSIBLE RE	A
△	R130	QRZ0077-680	68 1/4W FUSIBLE RE	BS
△	R130	QRD14CJ-680SX	68 1/4W UNF. CARBON	C
△	R130	QRZ0077-680	68 1/4W FUSIBLE RE	EF
△	R130	QRZ0077-680	68 1/4W FUSIBLE RE	EN
△	R130	QRZ0077-680	68 1/4W FUSIBLE RE	G
△	R130	QRZ0077-680	68 1/4W FUSIBLE RE	GI
△	R130	QRD14CJ-680SX	68 1/4W UNF. CARBON	J
△	R130	QRZ0077-680	68 1/4W FUSIBLE RE	U
△	R130	QRZ0077-680	68 1/4W FUSIBLE RE	US
△	R130	QRZ0077-680	68 1/4W FUSIBLE RE	UT
△	R130	QRZ0077-680	68 1/4W FUSIBLE RE	VX
	R132	QRD161J-102	1K 1/6W CARBON RES	
	R141	QRD161J-392	3.9K 1/6W CARBON RES	
	R142	QRD161J-103	10K 1/6W CARBON RES	
	R143	QRD161J-103	10K 1/6W CARBON RES	
	R144	QRD167J-332	3.3K 1/6W CARBON RES	
	R145	QRD161J-103	10K 1/6W CARBON RES	
	R146	QRD161J-222	2.2K 1/6W CARBON RES	A
	R146	QRD161J-222	2.2K 1/6W CARBON RES	BS
	R146	QRD161J-222	2.2K 1/6W CARBON RES	C
	R146	QRD161J-222	2.2K 1/6W CARBON RES	EF
	R146	QRD161J-222	2.2K 1/6W CARBON RES	EN
	R146	QRD161J-222	2.2K 1/6W CARBON RES	G
	R146	QRD161J-222	2.2K 1/6W CARBON RES	GI
	R146	QRD161J-222	2.2K 1/6W CARBON RES	J
	R146	QRD161J-222	2.2K 1/6W CARBON RES	U
	R146	QRD161J-222	2.2K 1/6W CARBON RES	US
	R146	QRD161J-222	2.2K 1/6W CARBON RES	UT
	R146	QRD161J-222	2.2K 1/6W CARBON RES	VX
	R147	QRD161J-473	47K 1/6W CARBON RES	A
	R147	QRD161J-473	47K 1/6W CARBON RES	BS
	R147	QRD167J-223	22K 1/6W CARBON RES	C
	R147	QRD161J-473	47K 1/6W CARBON RES	EF
	R147	QRD161J-473	47K 1/6W CARBON RES	EN
	R147	QRD161J-473	47K 1/6W CARBON RES	G
	R147	QRD161J-473	47K 1/6W CARBON RES	GI
	R147	QRD167J-223	22K 1/6W CARBON RES	J
	R147	QRD161J-473	47K 1/6W CARBON RES	U
	R147	QRD161J-473	47K 1/6W CARBON RES	US
	R147	QRD161J-473	47K 1/6W CARBON RES	UT
	R147	QRD161J-473	47K 1/6W CARBON RES	VX
	R148	QRD161J-561	560 1/6W CARBON RES	
	R149	QRD161J-103	10K 1/6W CARBON RES	A
	R149	QRD167J-223	22K 1/6W CARBON RES	BS
	R149	QRD167J-223	22K 1/6W CARBON RES	C
	R149	QRD161J-103	10K 1/6W CARBON RES	EF
	R149	QRD161J-103	10K 1/6W CARBON RES	EN
	R149	QRD161J-103	10K 1/6W CARBON RES	G
	R149	QRD161J-103	10K 1/6W CARBON RES	GI
	R149	QRD167J-223	22K 1/6W CARBON RES	J
	R149	QRD167J-223	22K 1/6W CARBON RES	U
	R149	QRD167J-223	22K 1/6W CARBON RES	US
	R149	QRD167J-223	22K 1/6W CARBON RES	UT
	R149	QRD161J-103	10K 1/6W CARBON RES	VX
	R150	QRD167J-332	3.3K 1/6W CARBON RES	
	R151	QRD167J-332	3.3K 1/6W CARBON RES	A
	R152	QRD167J-822	8.2K 1/6W CARBON RES	BS
	R152	QRD167J-332	3.3K 1/6W CARBON RES	C
	R152	QRD167J-332	3.3K 1/6W CARBON RES	EF
	R152	QRD167J-822	8.2K 1/6W CARBON RES	G

△ IS SAFETY PARTS

OTHERS

△	ITEM	PART NUMBER	DESCRIPTION	AREA
	L141	VQP0001-392ZS	INDUCTOR	BS
	L141	VQP0001-392ZS	INDUCTOR	EF
	L141	VQP0001-392ZS	INDUCTOR	EN
	L141	VQP0001-392ZS	INDUCTOR	G
	L141	VQP0001-392ZS	INDUCTOR	GI
	L141	VQP0001-392ZS	INDUCTOR	VX
	L181	EQL4004-1R0	INDUCTOR	
	T111	EQR7121-007	RF COIL	A
	T111	EQR7121-006	RF COIL	BS
	T111	EQR7121-007	RF COIL	C
	T111	EQR7121-006	RF COIL	EF
	T111	EQR7121-006	RF COIL	EN
	T111	EQR7121-006	RF COIL	G
	T111	EQR7121-006	RF COIL	GI
	T111	EQR7121-007	RF COIL	J
	T111	EQR7121-007	RF COIL	U
	T111	EQR7121-007	RF COIL	US
	T111	EQR7121-007	RF COIL	UT
	T111	EQR7121-006	RF COIL	VX
	T141	EQT2140-021	I. F. TRANSFO	
	T142	ECB1560-010	CERAMIC FIL	
	AT101	EMB41YV-302K	ANTENNA TER	
	CF101	ECB2123-006R	CERAMIC FIL	A
	CF101	ECB2118-007R	CERAMIC FIL	BS
	CF101	ECB2123-006R	CERAMIC FIL	C
	CF101	ECB2118-007R	CERAMIC FIL	EF
	CF101	ECB2118-007R	CERAMIC FIL	EN
	CF101	ECB2118-007R	CERAMIC FIL	G
	CF101	ECB2118-007R	CERAMIC FIL	GI
	CF101	ECB2123-006R	CERAMIC FIL	J
	CF101	ECB2123-006R	CERAMIC FIL	U
	CF101	ECB2123-006R	CERAMIC FIL	US
	CF101	ECB2123-006R	CERAMIC FIL	UT
	CF101	ECB2118-007R	CERAMIC FIL	VX
	CF102	ECB2123-006R	CERAMIC FIL	A
	CF102	ECB2118-007R	CERAMIC FIL	BS
	CF102	ECB2123-006R	CERAMIC FIL	C
	CF102	ECB2118-007R	CERAMIC FIL	EF
	CF102	ECB2118-007R	CERAMIC FIL	EN
	CF102	ECB2118-007R	CERAMIC FIL	G
	CF102	ECB2118-007R	CERAMIC FIL	GI
	CF102	ECB2123-006R	CERAMIC FIL	J
	CF102	ECB2123-006R	CERAMIC FIL	U
	CF102	ECB2123-006R	CERAMIC FIL	US
	CF102	ECB2123-006R	CERAMIC FIL	UT
	CF102	ECB2118-007R	CERAMIC FIL	VX
	EP101	E70225-001	EARTH PLATE	
	FE101	EAF2203-004	FRONT END	A
	FE101	EAF2203-005	FRONT END	BS
	FE101	EAF2203-004	FRONT END	C
	FE101	EAF2203-005	FRONT END	EF
	FE101	EAF2203-005	FRONT END	EN
	FE101	EAF2203-005	FRONT END	G
	FE101	EAF2203-005	FRONT END	GI
	FE101	EAF2203-004	FRONT END	J
	FE101	EAF2203-004	FRONT END	U
	FE101	EAF2203-004	FRONT END	US
	FE101	EAF2203-004	FRONT END	UT
	FE101	EAF2302-002	FRONT END	VX
	JA101	EMV7140-L10R	PIN CONNECT	
	LP141	EQF0101-002	LOWPASS FIL	
	XT121	ECX0007-200Kw1	CRYSTAL	
	XT141	ECXPR46-001A	CRYSTAL	
	XT142	ECB1001-002	CERAMIC FIL	

△ IS SAFETY PARTS

OTHERS

△	ITEM	PART NUMBER	DESCRIPTION	AREA
		FSKL4005-001	SHIELD PLAT	
		VYH7653-002	I. C. SOCKET	
		VYH7653-004	I. C. PROTECT	
		EMW10477-003A	CIRCUIT BOA	A
		QFN81HJ-223	METAL. MYLAR	A
		EMW10477-003A	CIRCUIT BOA	BS
		QFN81HJ-223	METAL. MYLAR	BS
		EMW10477-003A	CIRCUIT BOA	C
		EMW10477-003A	CIRCUIT BOA	EF
		EMW10477-003A	CIRCUIT BOA	EN
		EMW10477-003A	CIRCUIT BOA	G
		EMW10477-003A	CIRCUIT BOA	GI
		EMW10477-003A	CIRCUIT BOA	J
		EMW10477-003A	CIRCUIT BOA	U
		EMW10477-003A	CIRCUIT BOA	US
		EMW10477-003A	CIRCUIT BOA	UT
		EMW10477-003A	CIRCUIT BOA	VX
	J103	EMV5109-007A	MALE CONNEC	
	L102	EQL4004-150	INDUCTOR	BS
	L102	EQL4004-150	INDUCTOR	EF
	L102	EQL4004-150	INDUCTOR	EN
	L102	EQL4004-150	INDUCTOR	G
	L102	EQL4004-150	INDUCTOR	GI
	L102	EQL4004-150	INDUCTOR	J
	L102	EQL4004-150	INDUCTOR	U
	L102	EQL4004-150	INDUCTOR	US
	L102	EQL4004-150	INDUCTOR	UT
	L102	EQL4004-150	INDUCTOR	VX
	L121	EQL4004-1R0	INDUCTOR	

△ IS SAFETY PARTS

Accessories List

Symbol No.

M	4	M	M
---	---	---	---

Item	Part Number	Part Name	Q'ty	Description	Area
1	E30580-2191A	INSTRUCTION BOOK	1		A
	E30580-2191ABS	INSTRUCTION BOOK	1		BS
	E30580-2192A	INSTRUCTION BOOK	1		C,EF,G,GI
	E30580-2193A	INSTRUCTION BOOK	1		EN
	E30580-2194A	INSTRUCTION BOOK	1		VX
2	E30580-2195A	INSTRUCTION BOOK	1		J
	E30580-2196A	INSTRUCTION BOOK	1		U,US,UT
3	QPGA025-03505B	ENVELOPE	1		
3	EQB4001-015	LOOP ANTENNA	1		
4	V04062-001	AC PLUG	1		U,UT
5	ENZ2202-001	SIEMENS PLUG	1		US
	BT-56001-1	WARRANTY CARD	1		A
	BT-20071B	SERVICE NETWORK	1		C
	BT20060	WARRANTY CARD	1		BS
	BT-20066A	WARRANTY CARD	1		BS
8	BT-20025M	WARRANTY CARD	1		C
	BT-20134	WARRANTY CARD	1		G
	BT-20044G	SAFETY SHEET	1		J
	E43486-340A	SAFETY SHEET	1		BS
9	BT-51006-1	REGISTER CARD	1		J
10	E03614-004	FM FEEDER ANTENNA	1		Except G
	E67007-001	FM FEEDER ANTENNA	1		G
11	EMZ2001-014	ADAPTOR PLUG	1		
12	RM-SES200U	WIRE-LESS REMOTE CONTROL	1		
13	UM-3(DJ)-2PSA	BATTERY	1		Except J.C
	R6PRPA-2STSA	BATTERY	1		J.C

⚠ : Safety Parts

The Marks for Designated Areas

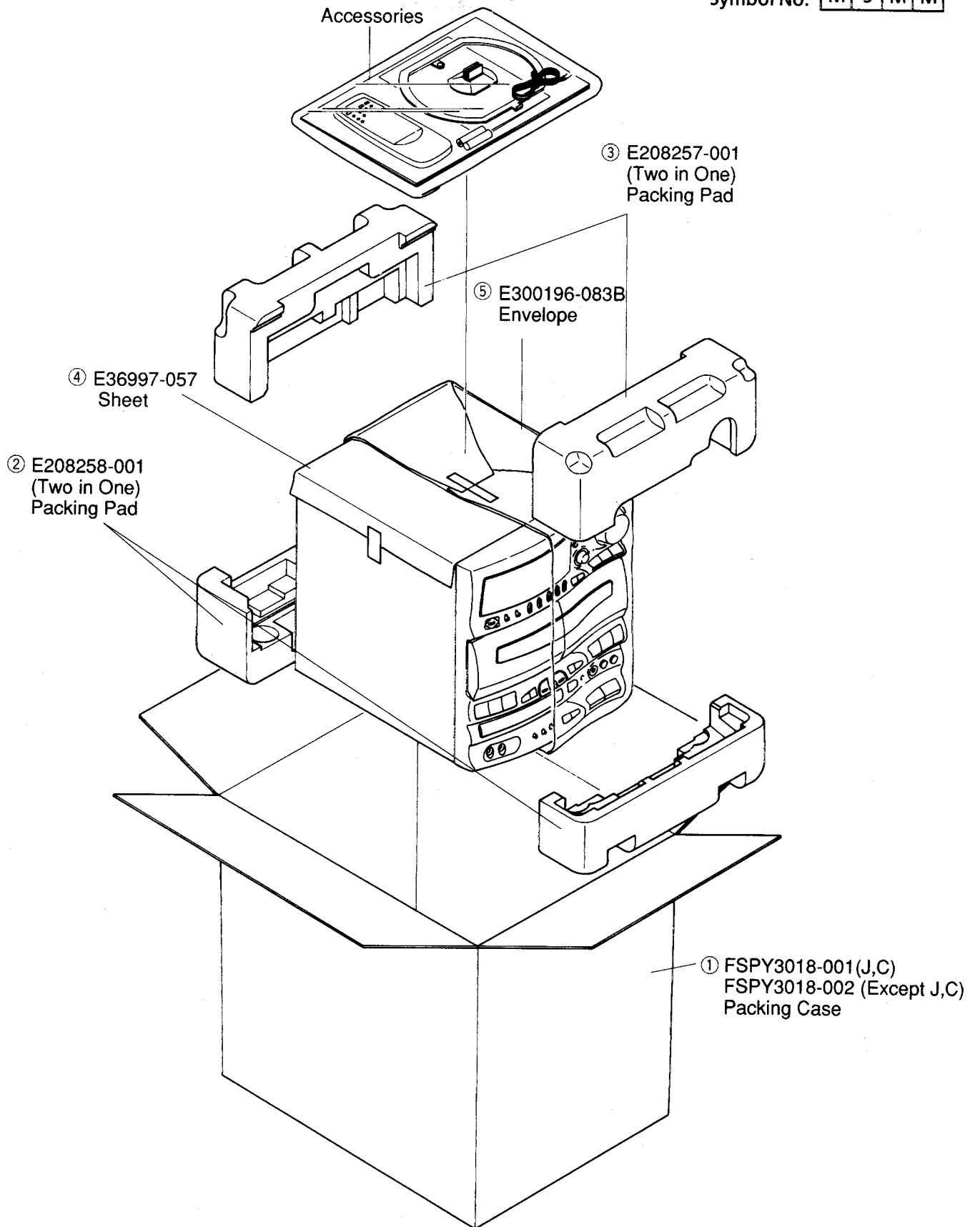
A	Australia	BS	the U.K.	C	Canada	EF	Continental Europe
EN	Scandinavia	G	Germany	GI	Italy	J	the U.S.A.
U	Universal Type	US	Singapore	UT	Taiwan	VX	East Europe

No mark indicates all area.

Packing Materials and Part Numbers

Symbol No.

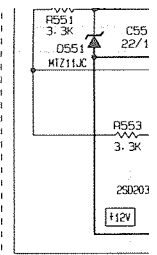
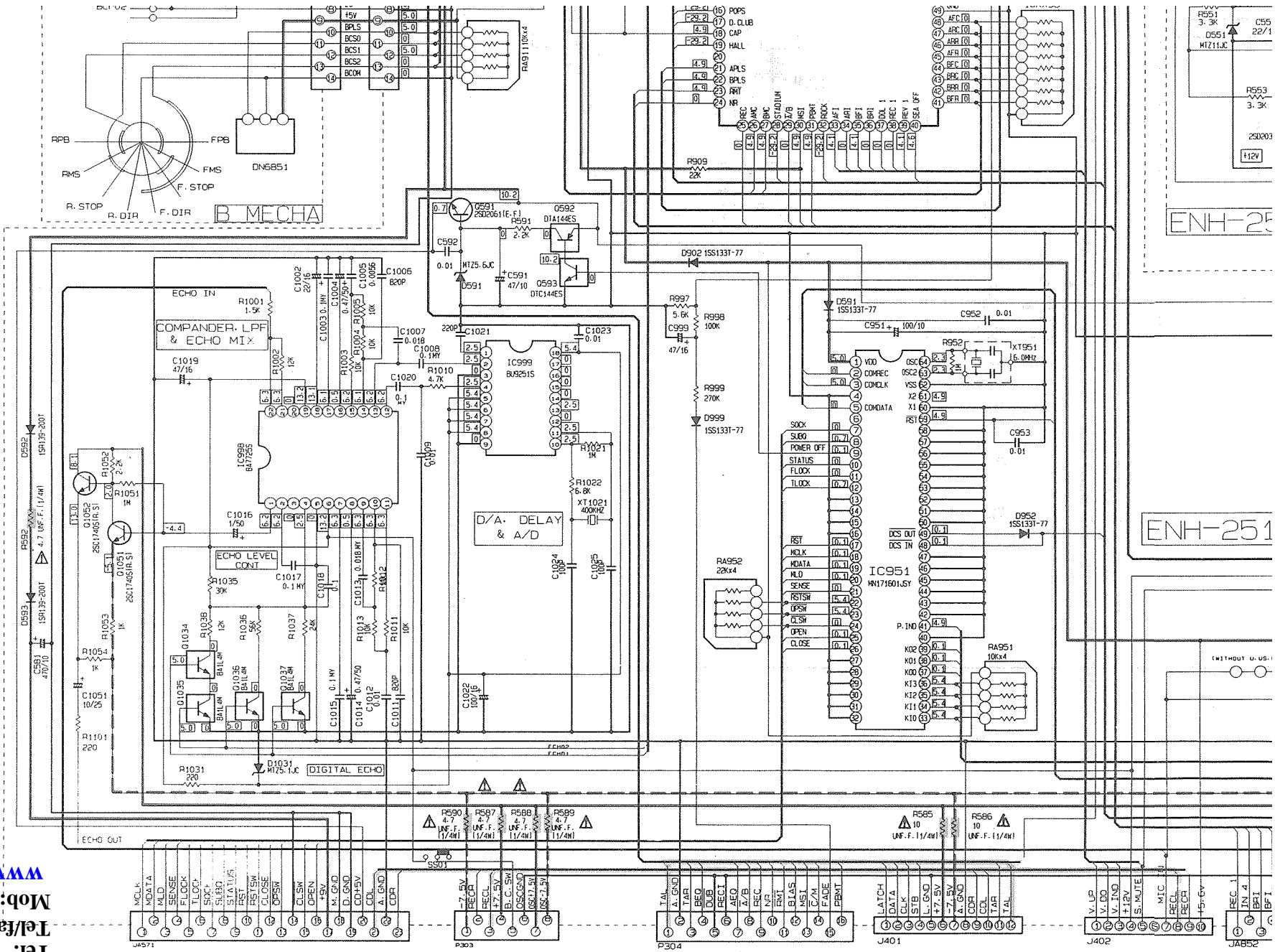
M	5	M	M
---	---	---	---



Designated Areas

A ... Australia	BS .. the U.K.	C Canada	EF ... Continental Europe
EN .. Scandinavia	G ... Germany	GI ... Italy	J ... the U.S.A.
U ... Universal Type	US .. Singapore	UT .. Taiwan	VX ... East Europe
No mark indicates all area			

RTV servis Horvat
 Tel: ++385-31-856-842
 Tel/fax: ++385-31-856-139
 Mob: 098-788-319
www.rtv-horvat-dj.hr



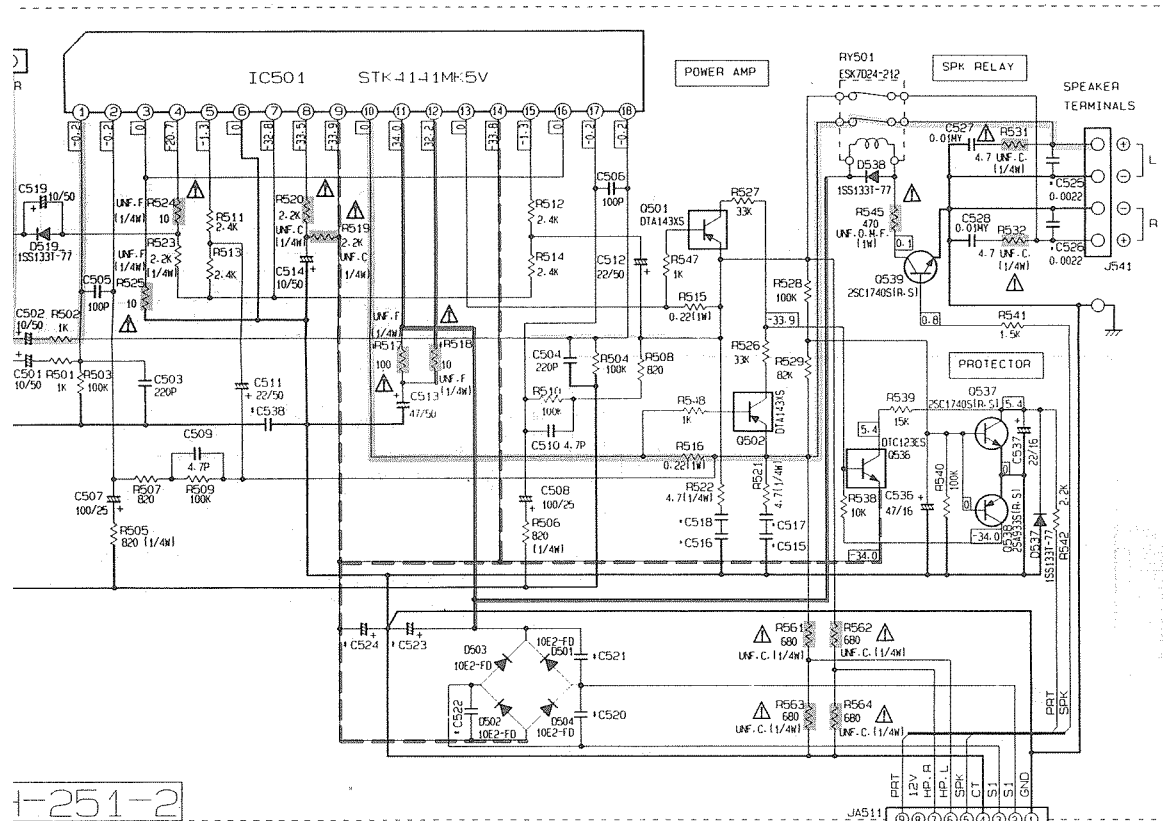
ENH-25

ENH-251

(WITHOUT U.S.I.)

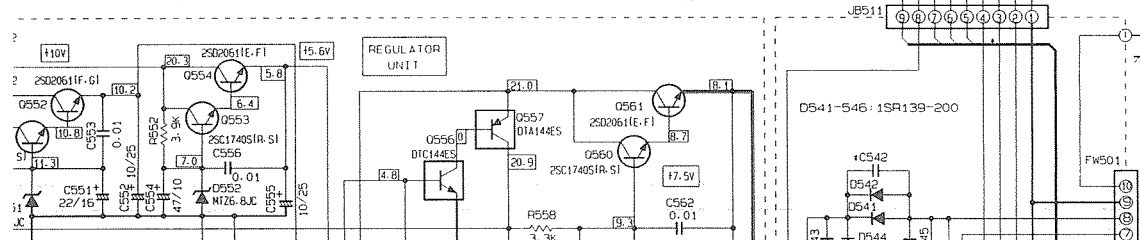
Notes:

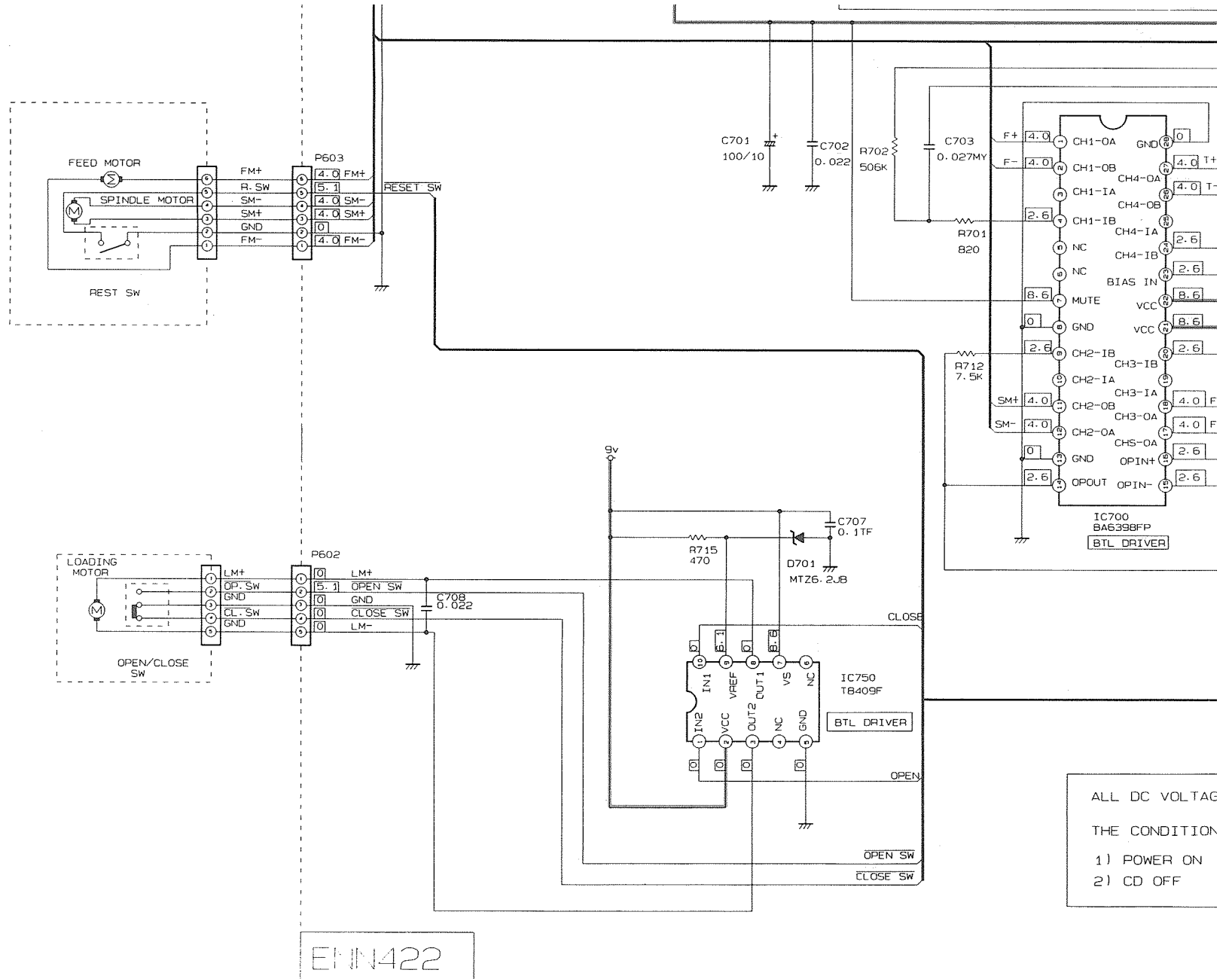
1. — indicates +B power supply.
2. - - - - indicates -B power supply.
3. ▨ indicates main path.
4. When replacing the parts in the shaded are (▨) and those marked with △, be sure to use the designated parts to ensure safety.
5. The design and contents are subject to change without notice.



	BS-EF-EN-G-G1-VX	A	U-US-UT	J-C
C541 - C543	0.1u	0.01u	0.01u	0.01u
C520 - C522	0.1u	0.01u	0.01u	0.01u
C525 - C526	USED	NONE	NONE	NONE
R592	UNF.F	UNF.F	UNF.F	UNF.C
S501	USED	NONE	NONE	NONE
R517	UNF.F	UNF.F	UNF.F	UNF.C
R518	UNF.F	UNF.F	UNF.F	UNF.C
R577	POSTISER	POSTISER	POSTISER	UNF.C
C523 - C524	2200/42	2200/42	2200/42	3300/42
R567	B.2 UNF.F	B.2 UNF.F	B.2 UNF.F	SHORT
R568	B.2 UNF.F	B.2 UNF.F	B.2 UNF.F	NONE
R565 - R566	UNF.F	UNF.F	UNF.F	UNF.C
R567 - R568	UNF.F	UNF.F	UNF.F	UNF.C
R589 - R590	UNF.F	UNF.F	UNF.F	UNF.C
C515 - C516	0.1u	0.1u	0.1u	SHORT
C517 - C518	0.1u	0.1u	0.1u	0.047u

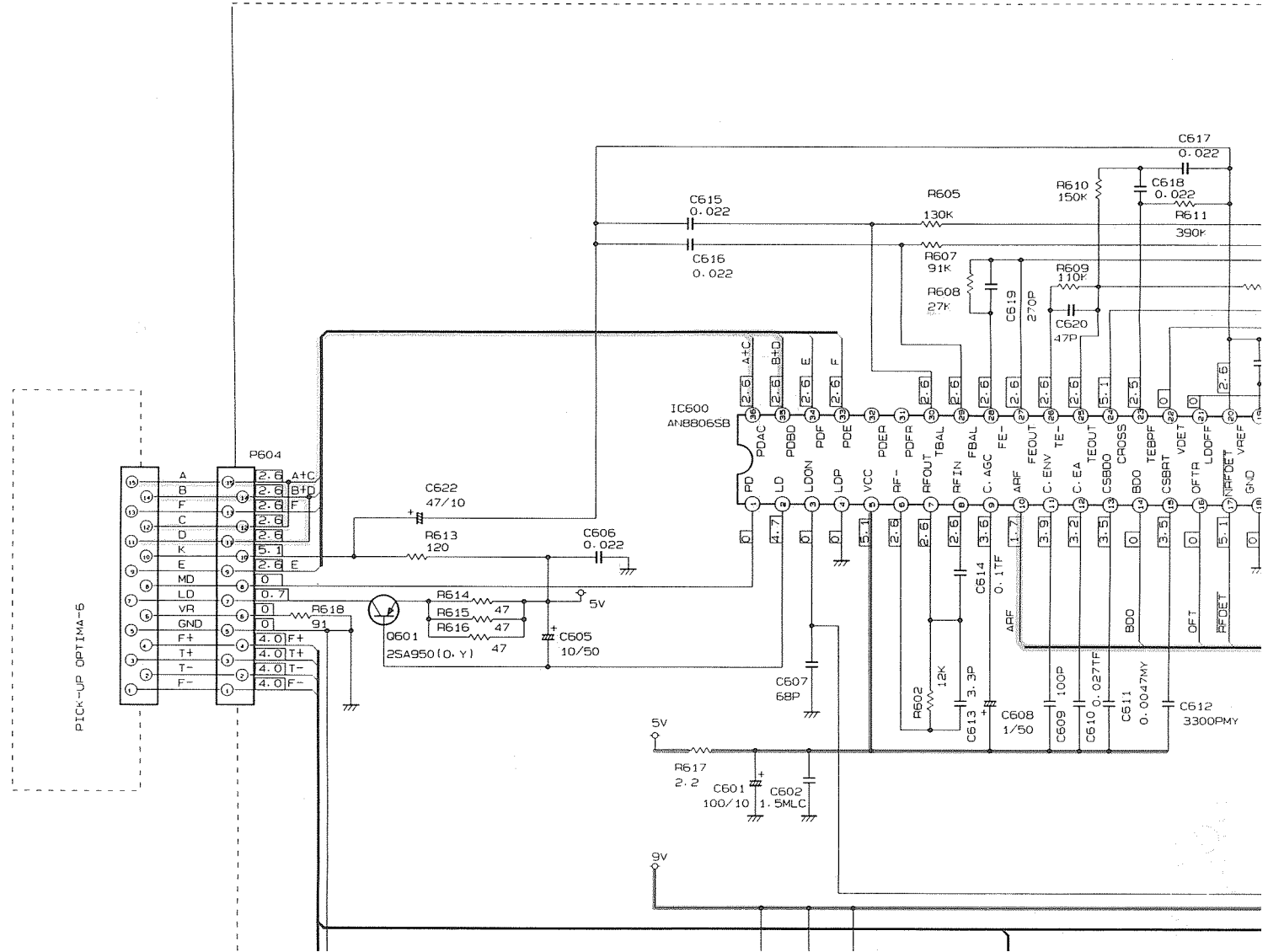
F-251-2

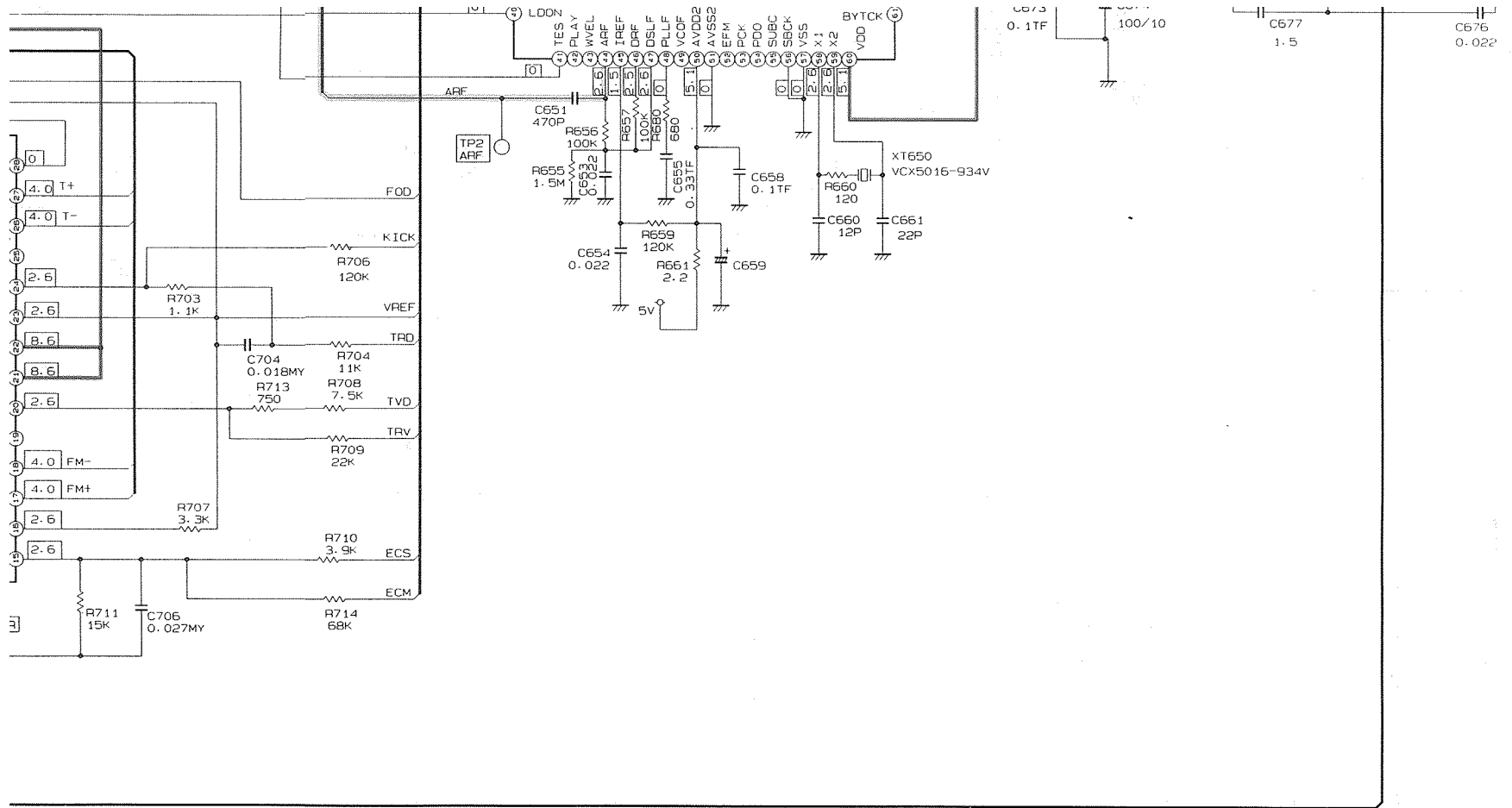




EMN422

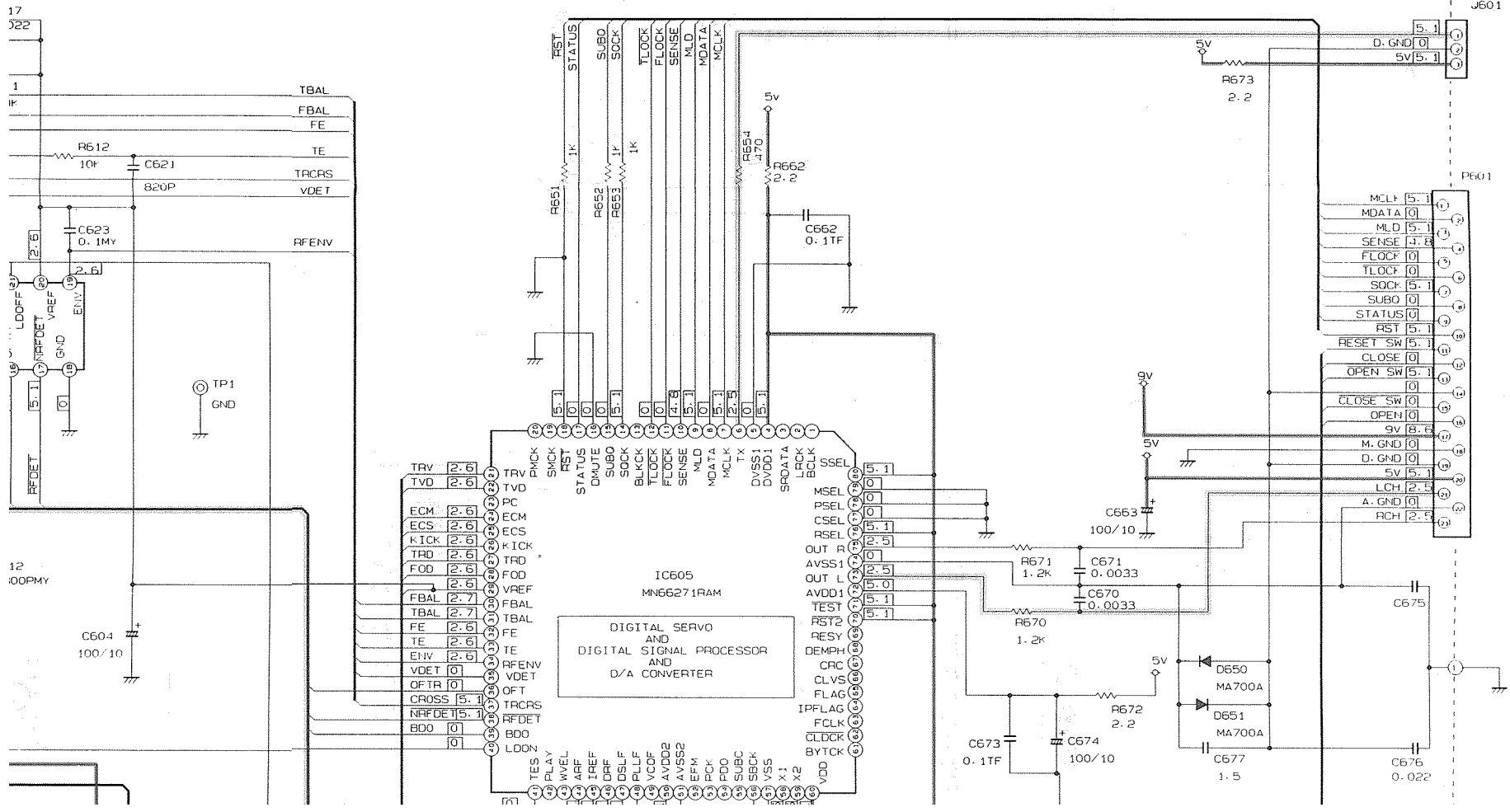
CD Servo

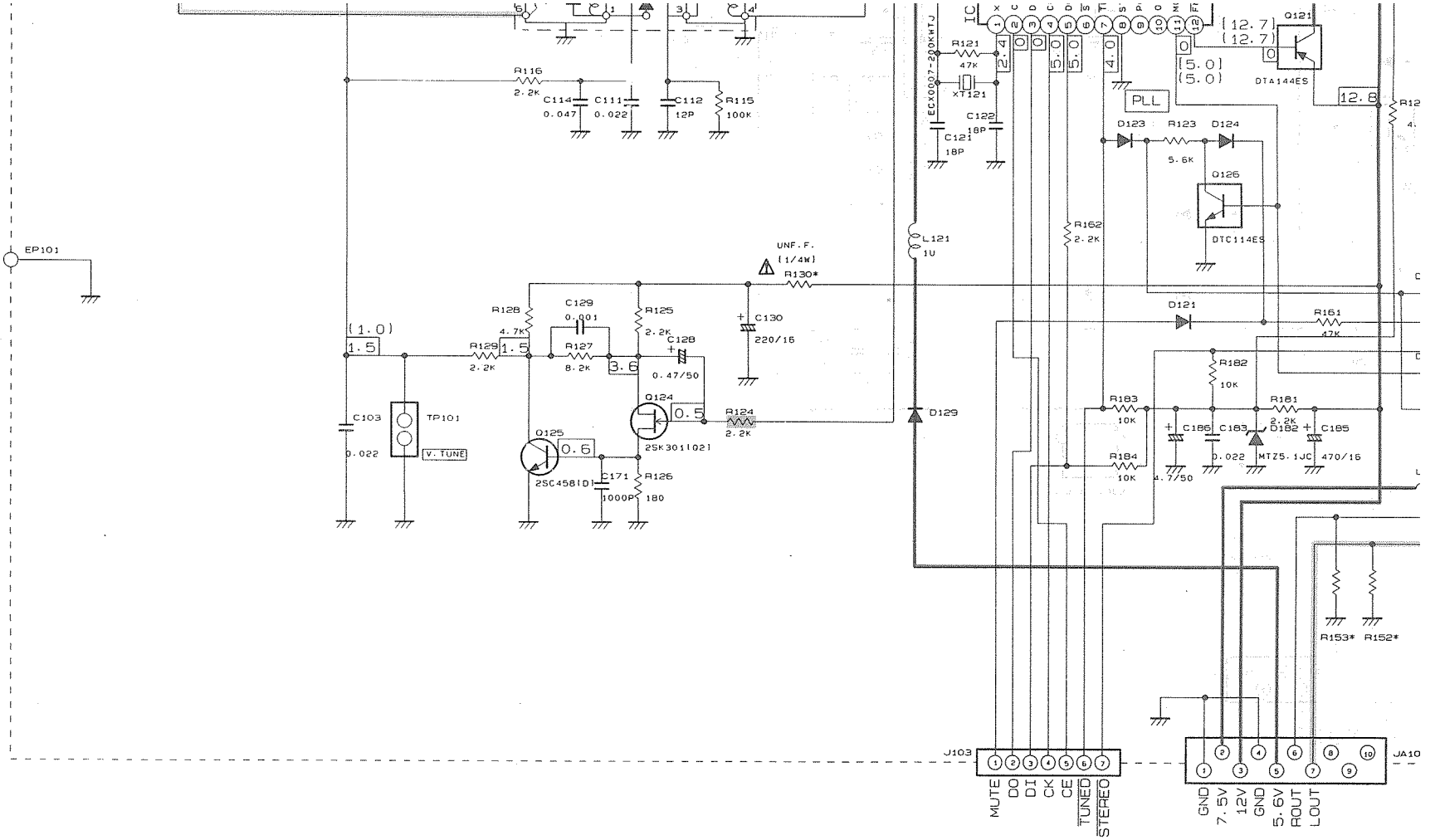




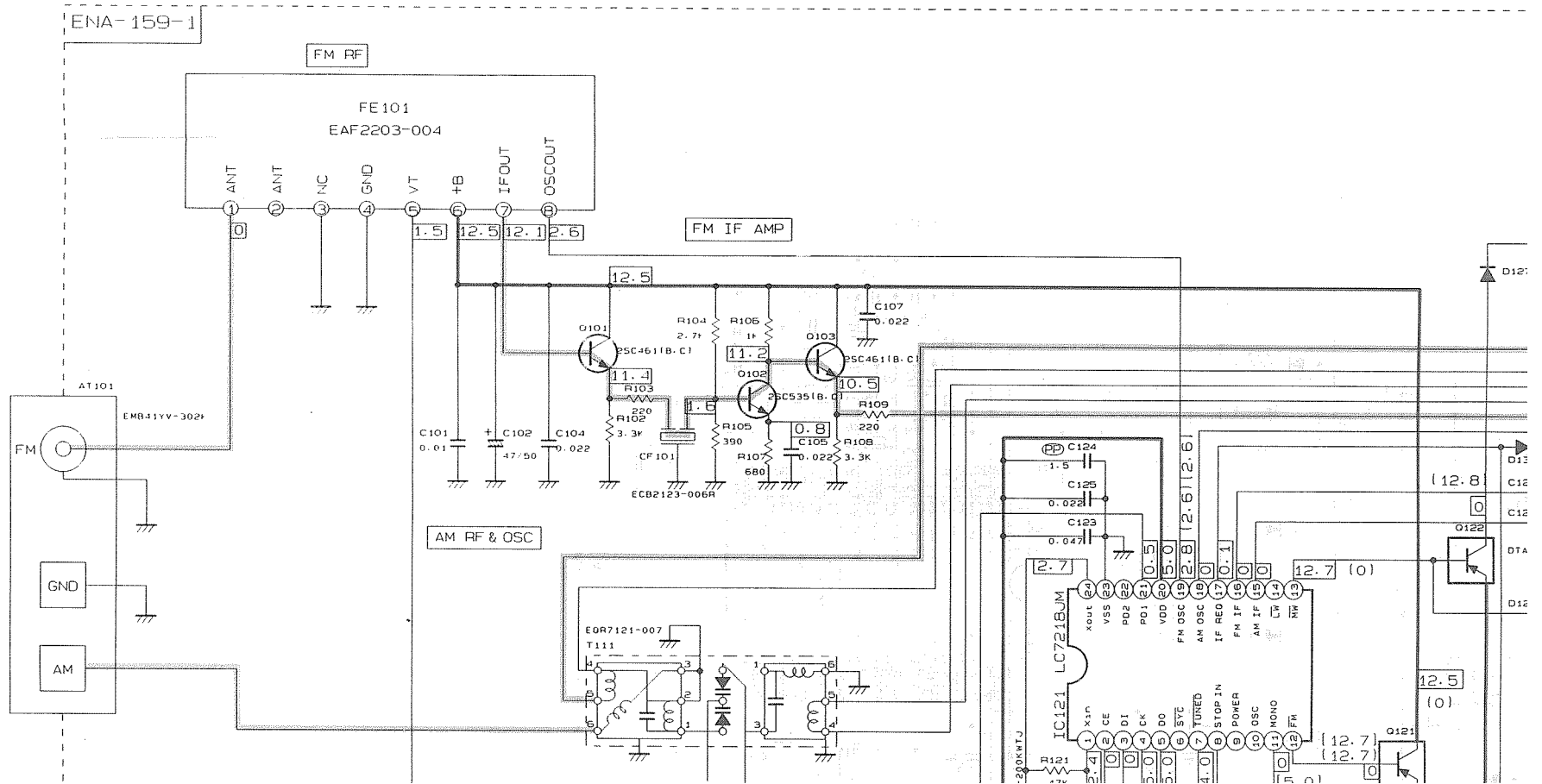
VOLTAGES MEASURED WITH OSCILLOSCOPE
 CONDITIONS OF THE SET ARE
 IR ON
 XFF

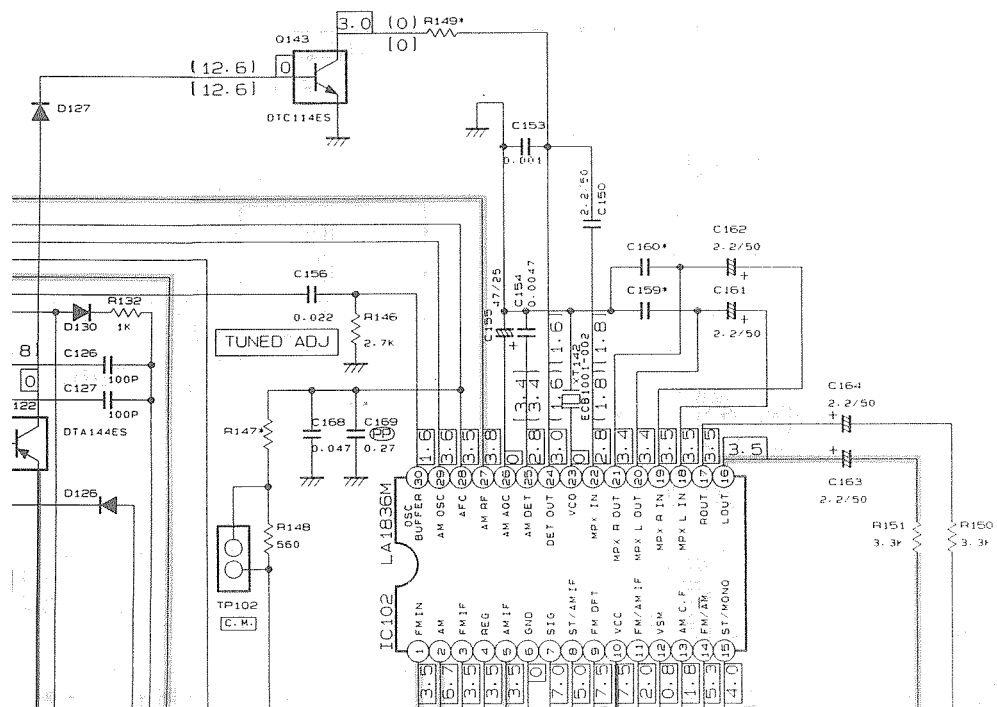
RTV servis Horvat
 Tel: ++385-31-856-842
 Tel/fax: ++385-31-856-139
 Mob: 098-788-319
www.rtv-horvat-dj.hr



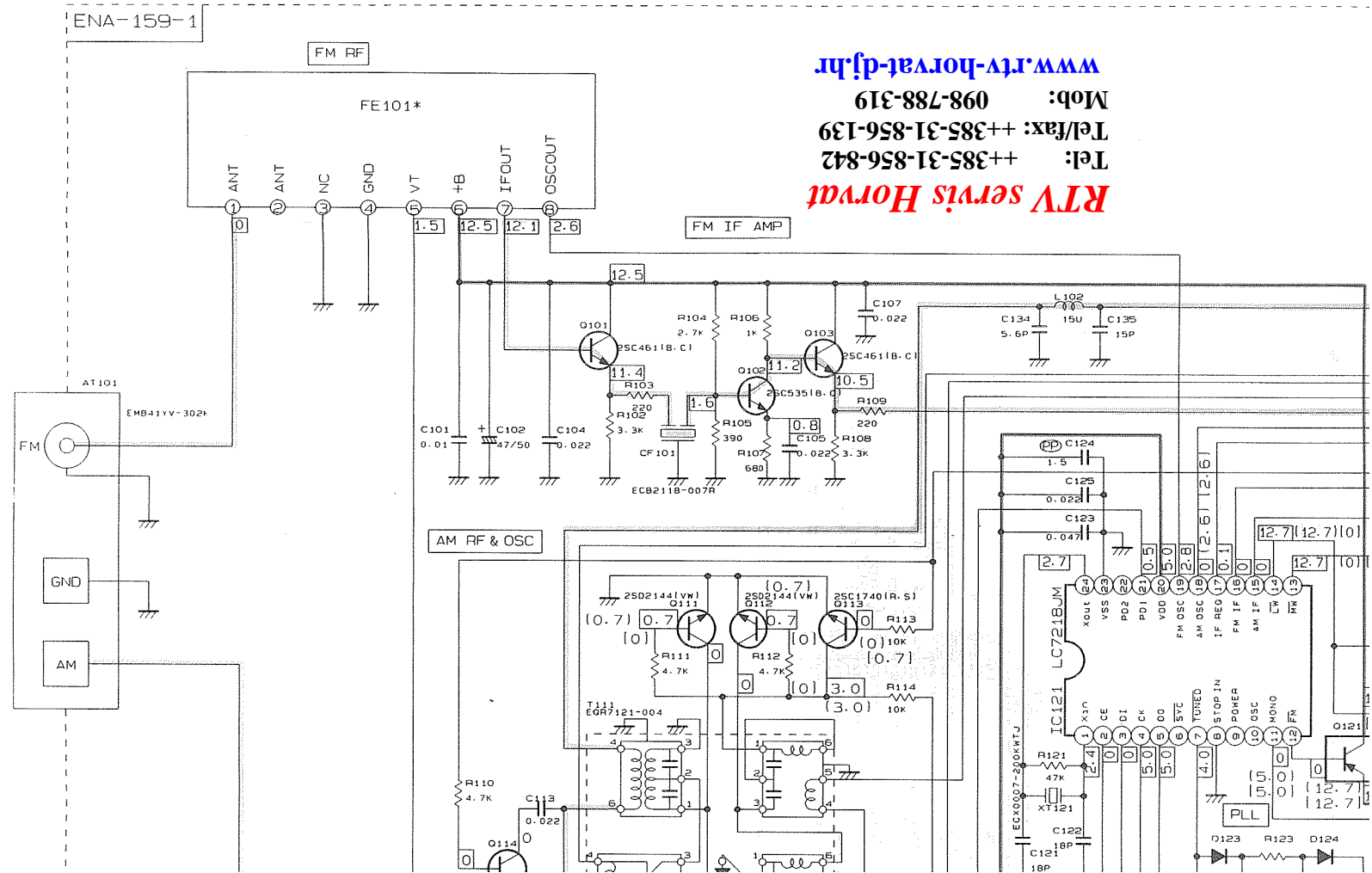


■ Tuner Section (A, J, C, U, US, UT)

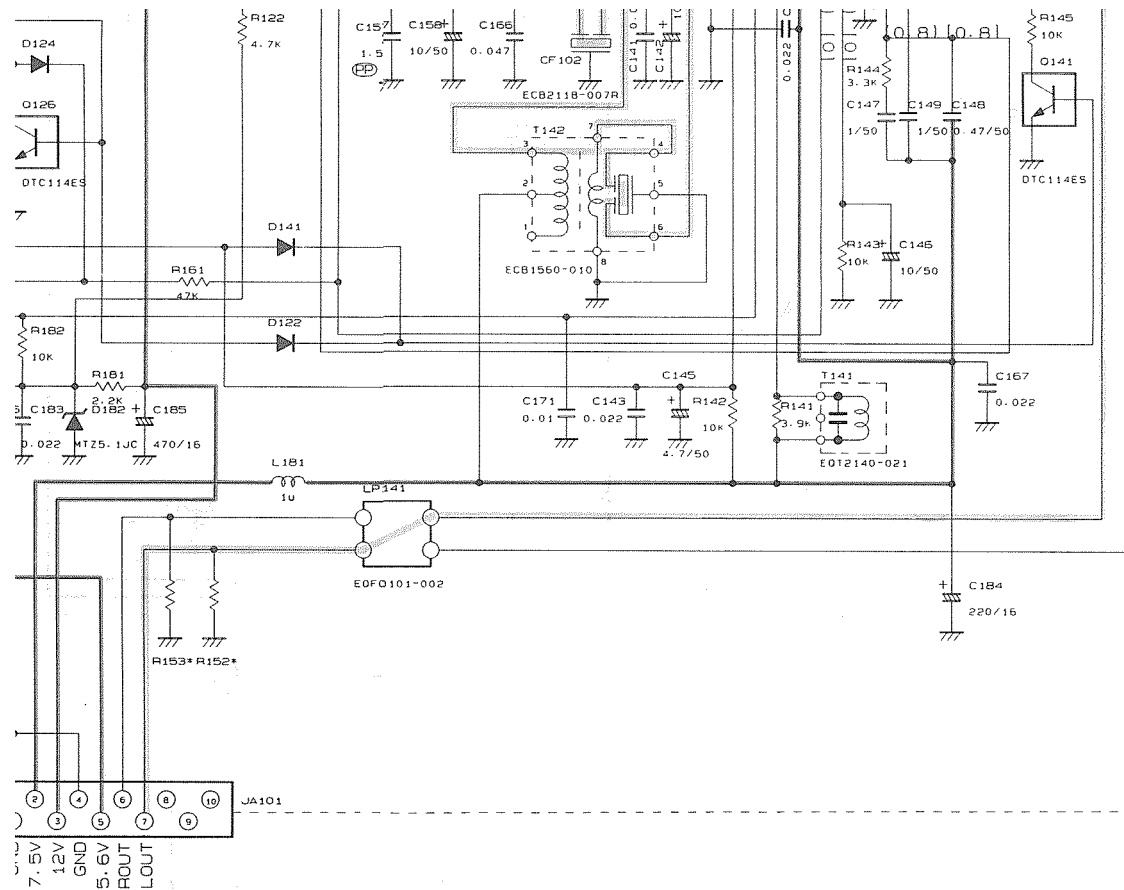




■ Tuner Section (BS, EF, EN, G, GI, VX)



RTV servis Horvat
Tel: ++385-31-856-842
Tel/fax: ++385-31-856-139
Mob: 098-788-319
www.rtv-horvat-dj.hr



***REMARKS**

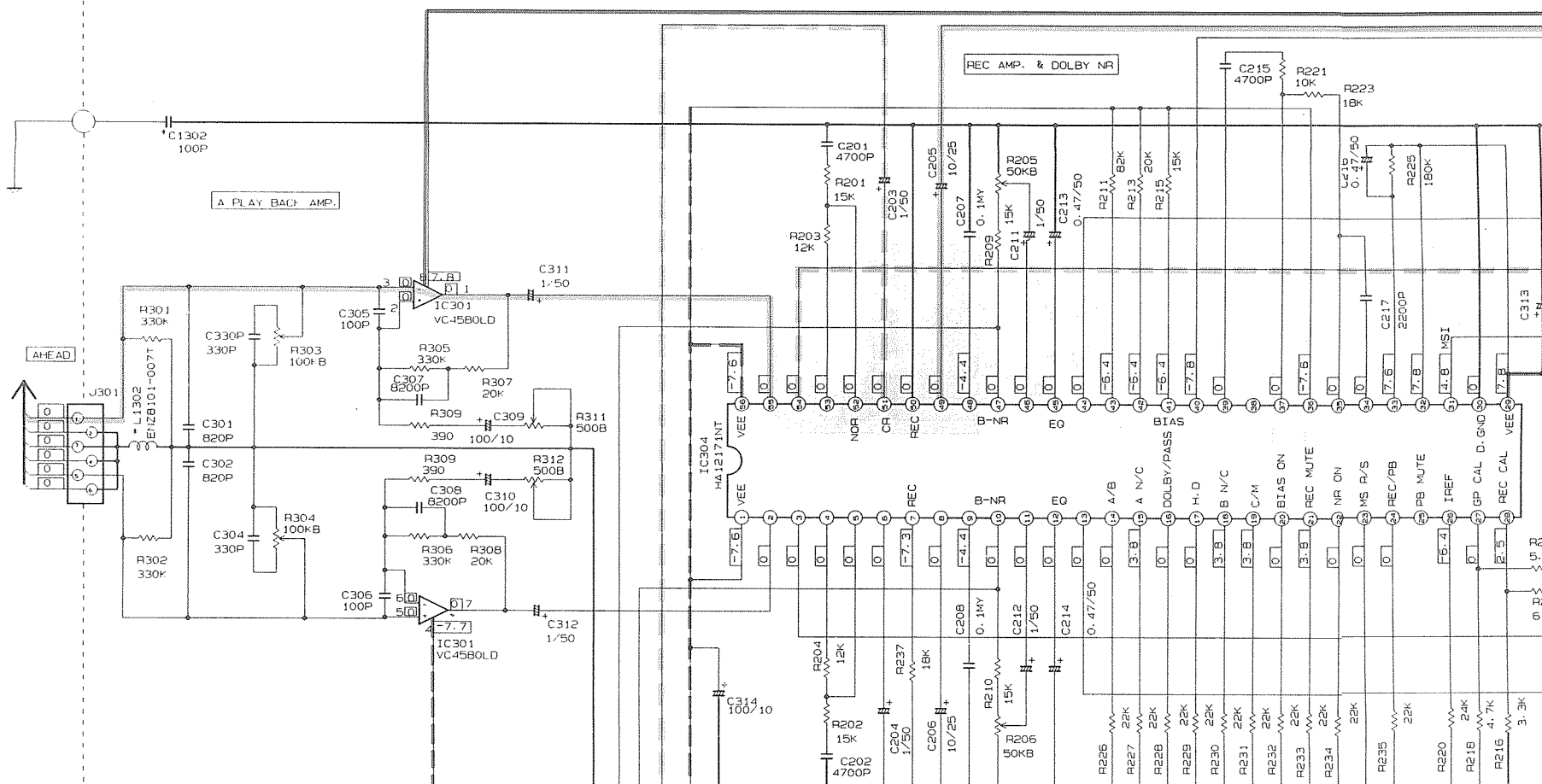
VER	BS	EF·EN·G·GI	VX
R149	22k	10k	10k
R151·R152	3.3k	8.2k	8.2k
FE101	EAF2203-005	EAF2203-005	EAF2302-002

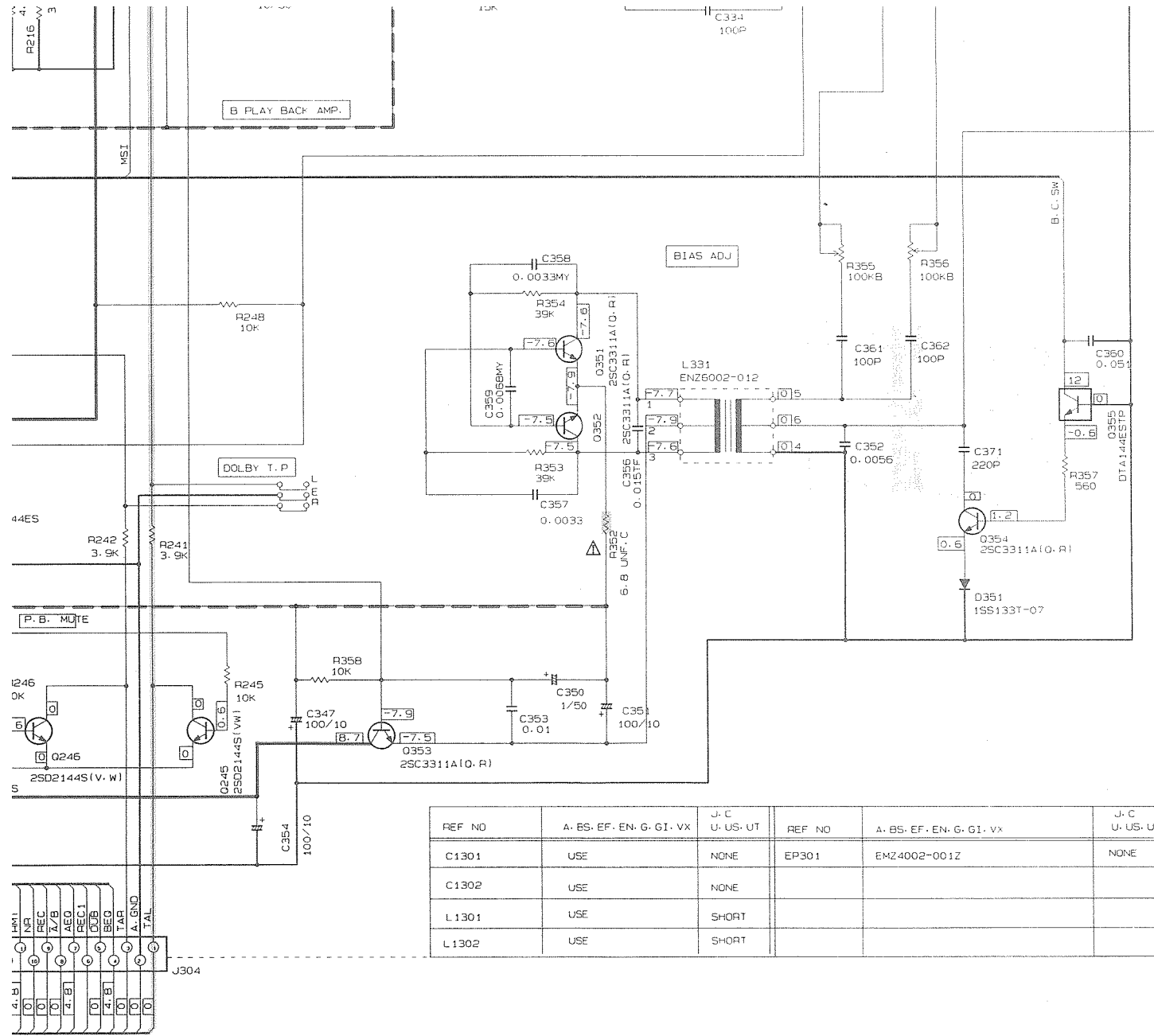
NOTES

- VOLTAGES ARE DC-MEASURED USING AN OSCILLOSCOPE WITH NO INPUT SIGNAL CONDITION.
 FM AUTO SIGNAL 1 MW NO SIGNAL 1 LW NO SIGNAL
 VOLTAGES INDICATE FOR FM ONLY ARE CONSIDERED COMMON FOR BOTH AM/FM.
- UNLESS OTHERWISE SPECIFIED
 ALL RESISTORS ARE 1/6W ±5% CARBON RESISTOR.
 ALL CAPACITORS ARE 50V CERAMIC CAPACITOR OR 50V MYLAR CAPACITOR.
 ALL RESISTANCE VALUES ARE IN OHM(Ω).
 ALL CAPACITANCE VALUES ARE IN μF(PpF).
 ALL E. CAPACITORS ARE SHOWN IN THE FORM OF CAPACITANCE(μF)/RATED VOLTAGE (V).
 ALL DIODES ARE 1SS133T-77 TYPE
 POLYPROPYLENE CAPACITOR
 50V ± 5% MYLAR CAPACITOR OR 50V ± 5% THIN FILM CAPACITOR

Deck Control Section

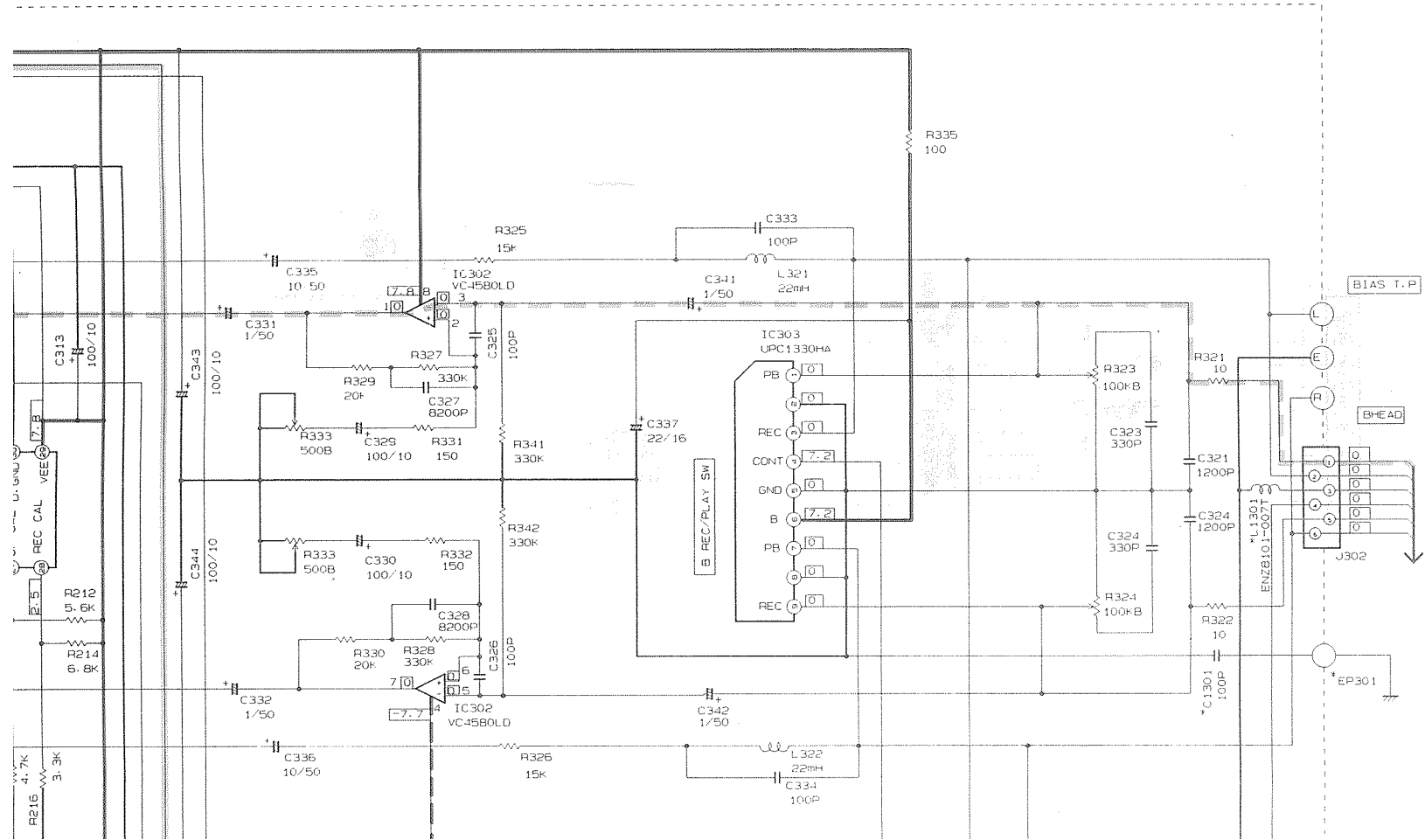
ALL DC VOLTAGES MEASURED WITH OSCILLOSCOPE
 THE CONDITIONS OF THE SET ARE
 1) POWER ON
 2) DECK & CD OFF

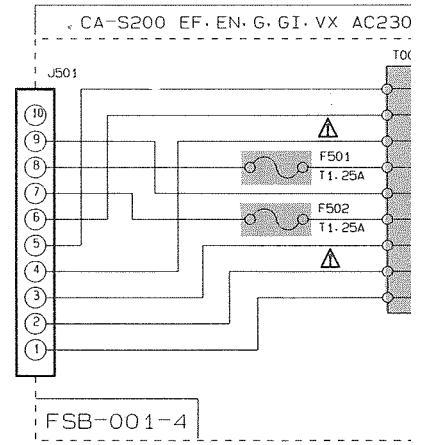
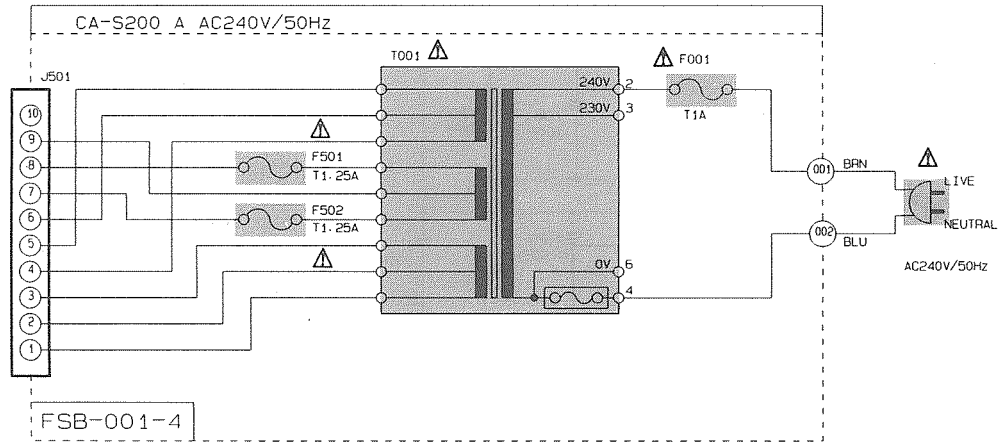




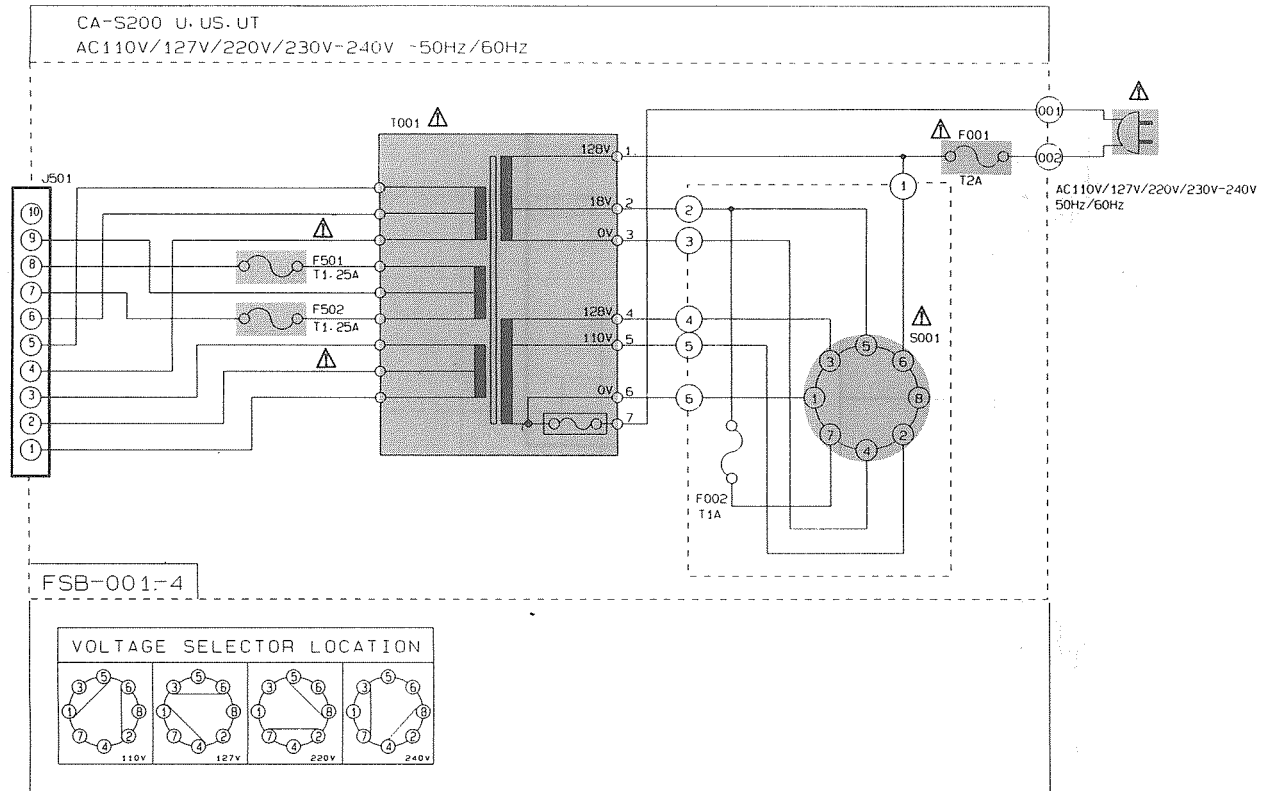
REF NO	A. BS. EF. EN. G. GI. VX	J. C U. US. UT	REF NO	A. BS. EF. EN. G. GI. VX	J. C U. US. UT
C1301	USE	NONE	EP301	EMZ4002-001Z	NONE
C1302	USE	NONE			
L1301	USE	SHORT			
L1302	USE	SHORT			

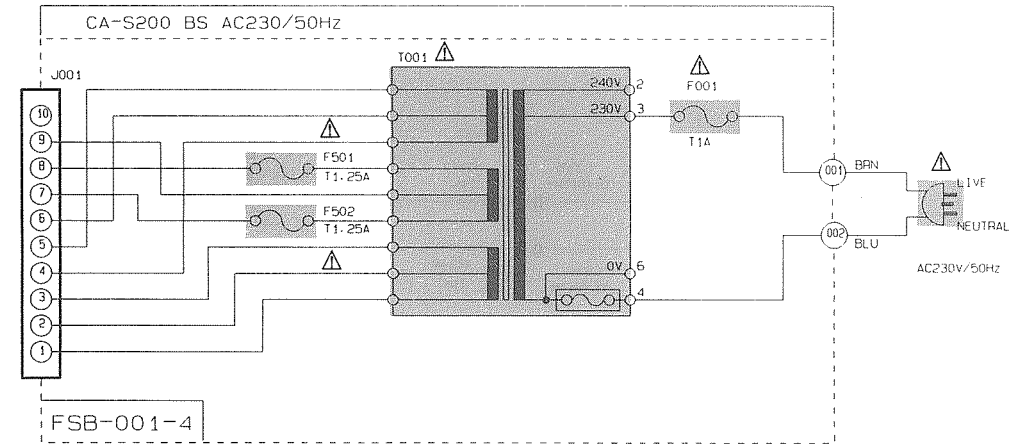
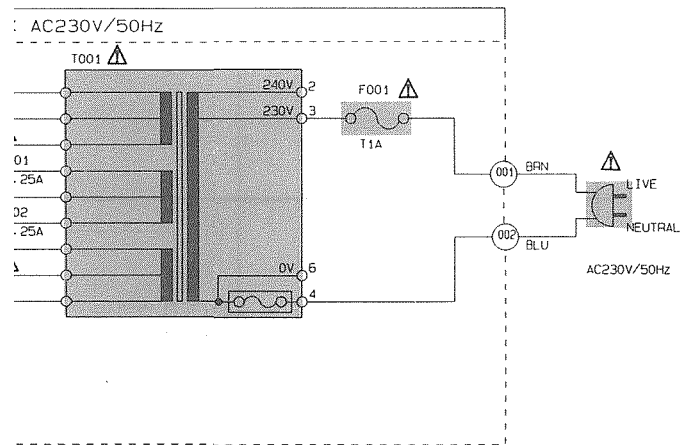
RTV servis Horvat
 Tel: ++385-31-856-842
 Tel/fax: ++385-31-856-139
 Mob: 098-788-319
 www.rtv-horvat-dj.hr

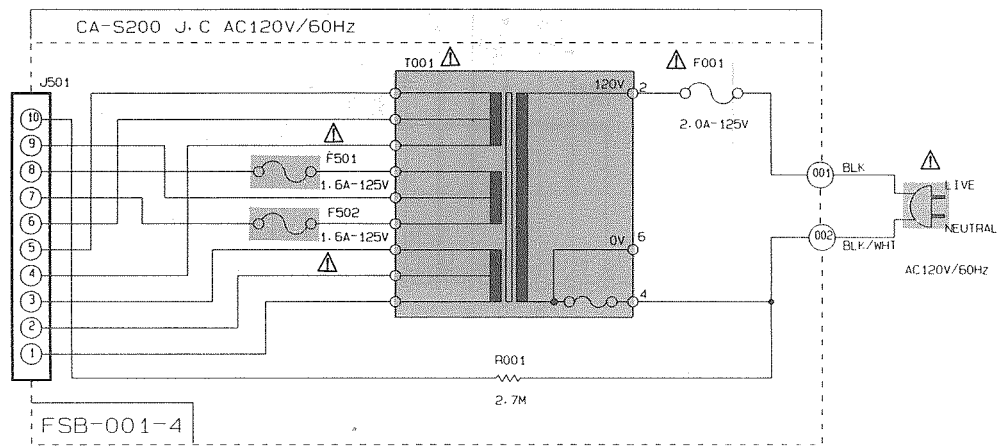




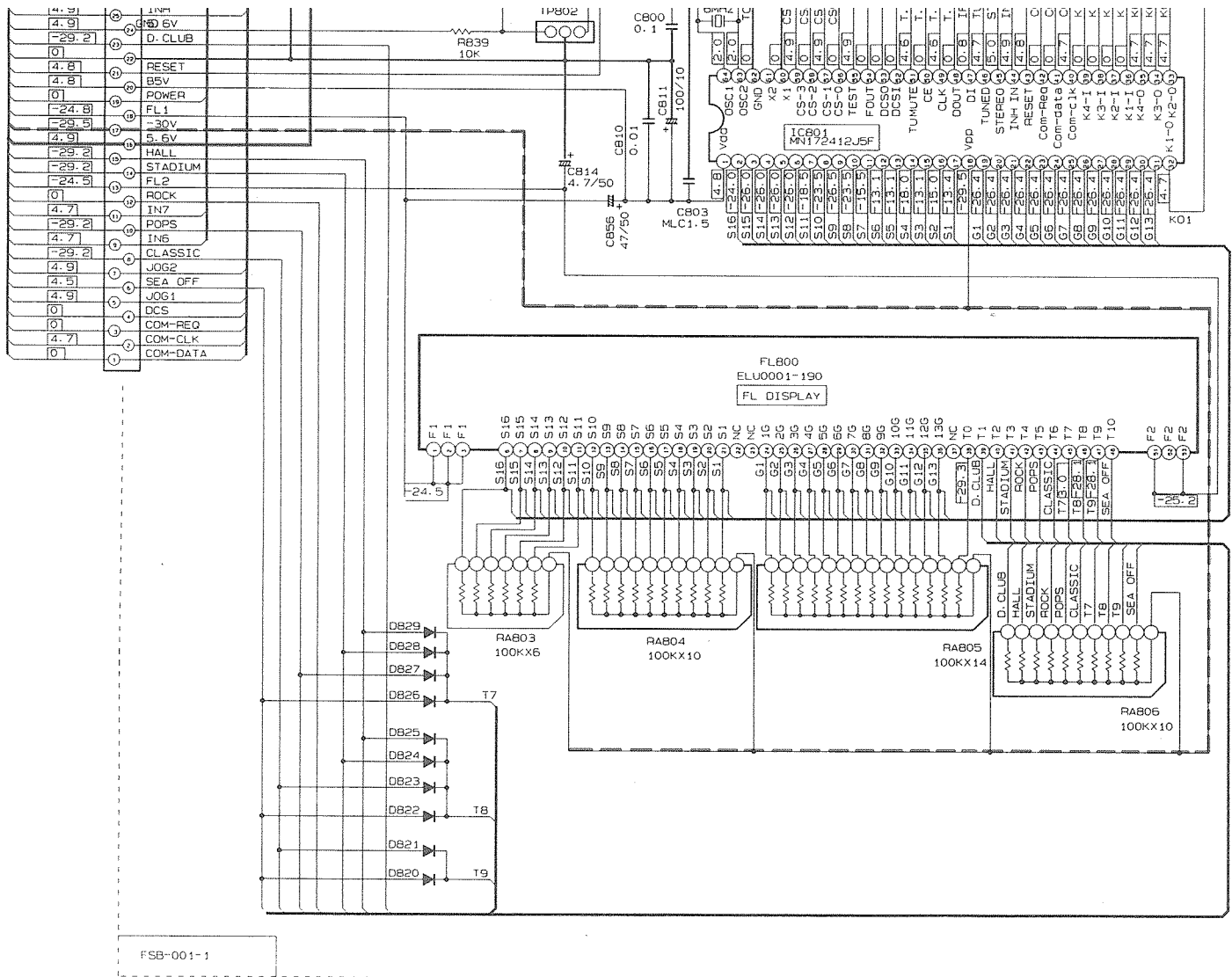
■ Power Section



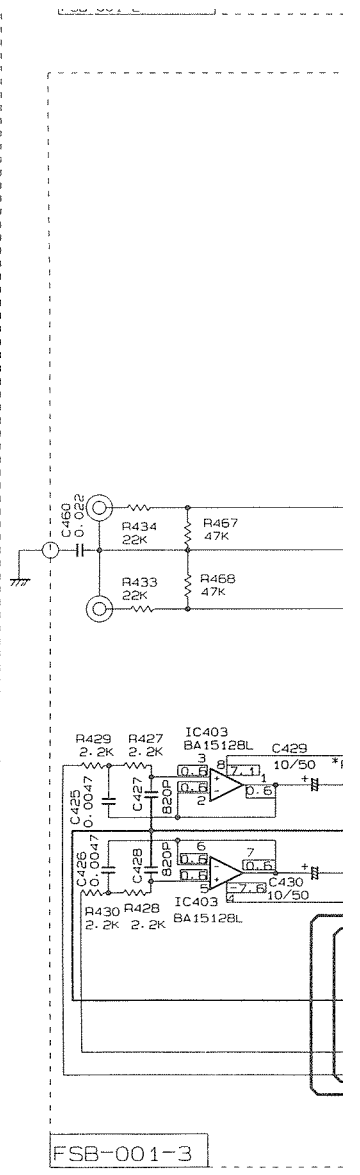




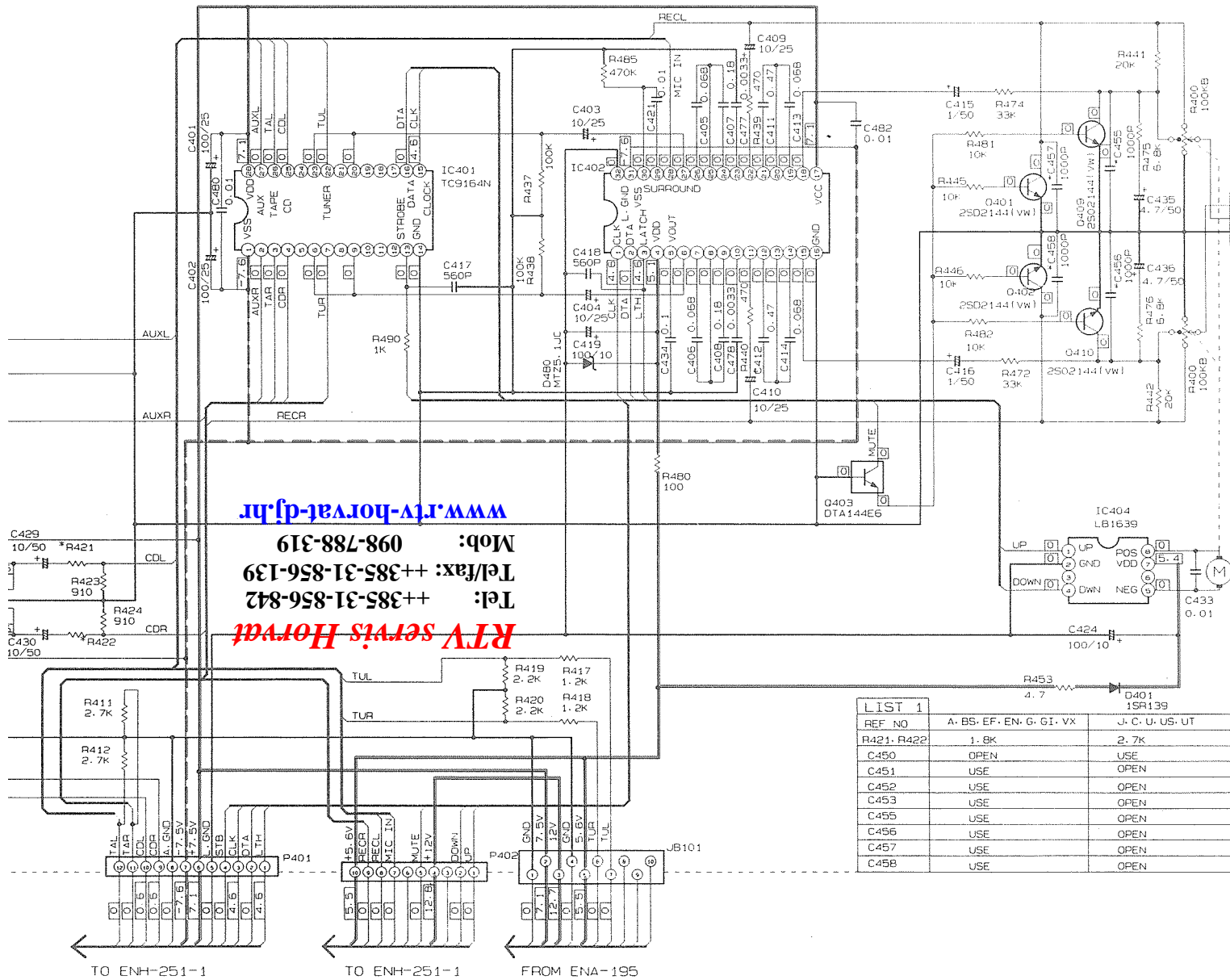
TO ENH-251-1



FSB-001-1



FSB-001-3



RTV servis Horvat
 Tel: ++385-31-856-842
 Tel/fax: ++385-31-856-139
 Mob: 098-788-319
www.rtv-horvat-dj.hr

LIST 1

REF NO	A. BS. EF. EN. G. GI. VX	J. C. U. US. UT
R421, R422	1.8K	2.7K
C450	OPEN	USE
C451	USE	OPEN
C452	USE	OPEN
C453	USE	OPEN
C455	USE	OPEN
C456	USE	OPEN
C457	USE	OPEN
C458	USE	OPEN

